



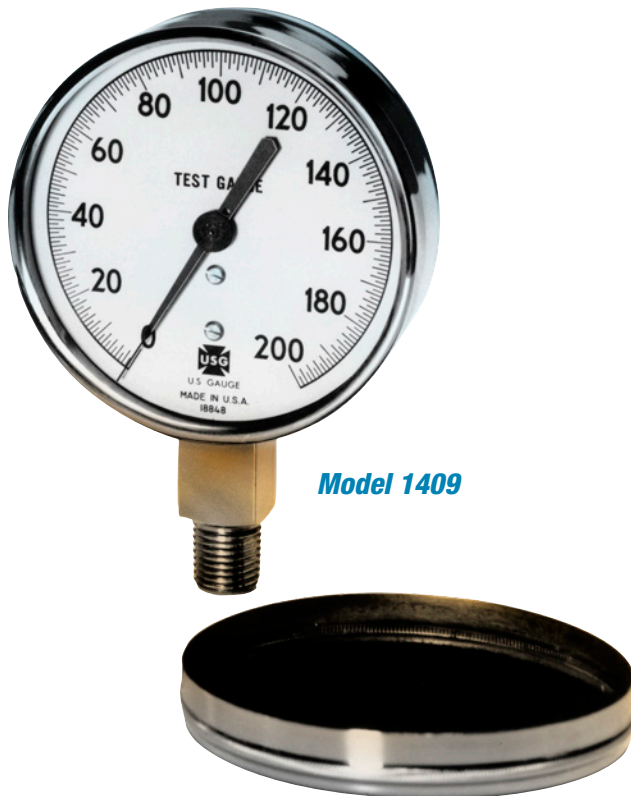
TEST GAUGES

Model 1409 3" Portable Test Gauges

DESCRIPTION

U.S. Gauge 3" test gauges combine high accuracy, rugged construction and portability for a wide range of field and production testing applications.

The instrument is available in a durable ABS chrome plated case design. Optional felt-lined cover protects window against scratching or breakage. Test gauges incorporate Bourdon tube sensing elements for a wide selection of ranges from 30 up to 1000 psi. A knife-edged, adjustable pointer improves viewing and simplifies front zero calibration.



SPECIFICATIONS

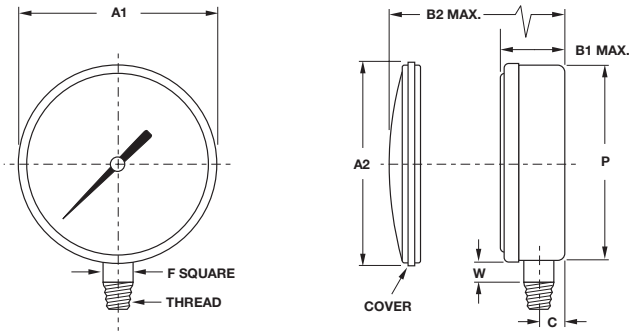
- SIZES:** 3"
- ACCURACY:** ±0.5% of span in 0 to 30 through 0 to 1000 psi (Grade 2A)
- BOURDON TUBE:** *Phosphor bronze*: 30 through 1000 psi;
- WINDOW:** Polycarbonate
- MOVEMENT:** Geared with moving parts of dissimilar metals to minimize friction and wear
- DIAL:** Steel, white background with black markings. Arc of calibration on model 1409 is 300°
- POINTER:** Knife-edged, black, adjustable
- CASE:** ABS, chrome plated
- RING:** ABS, chrome plated
- COVER (Optional):** ABS, chrome plated
- CONNECTION:** 1/4-18 ANPT low mount, brass

Standard Ranges		
Maximum Indication	Figure Intervals	Smallest Intervals
30 psi	2	0.1
60 psi	5	0.2
100 psi	10	0.5
160 psi	10	1
200 psi	20	1
300 psi	20	1
600 psi	50	2
1000 psi	100	5



TEST GAUGES

Model 1409 3" Portable Test Gauges



**INCHES
(MM)**

Model 1409 Dimensions									
Model	Unit	A1	A2	B1	B2	C	F	P	W
1409 (3")	inches	3.40	3.55	1.38	1.69	0.54	0.625	3.23	0.67
	mm	86.36	90.17	35.05	42.93	13.72	15.88	82.04	17.02

Spec Number Selection Chart	
3" Portable Test Gauges	Model No. 1409 1/4-18 ANPT, Lower Mount
Bourdon Tube	Phosphor Bronze (30 psi through 1000 psi) Beryllium Copper (1500 psi through 5000 psi)
Connection	Brass
Ranges	Spec No.
0-30 psi	161947
0-60 psi	161948
0-100 psi	161949
0-160 psi	161950
0-200 psi	161951
0-300 psi	161952
0-600 psi	161953
0-1000 psi	161954