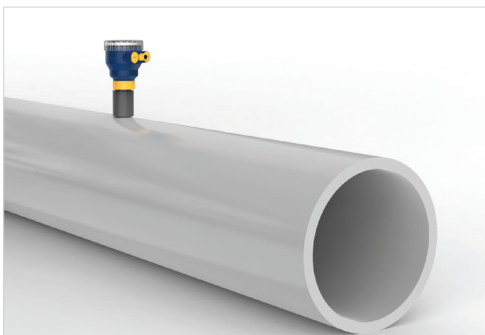
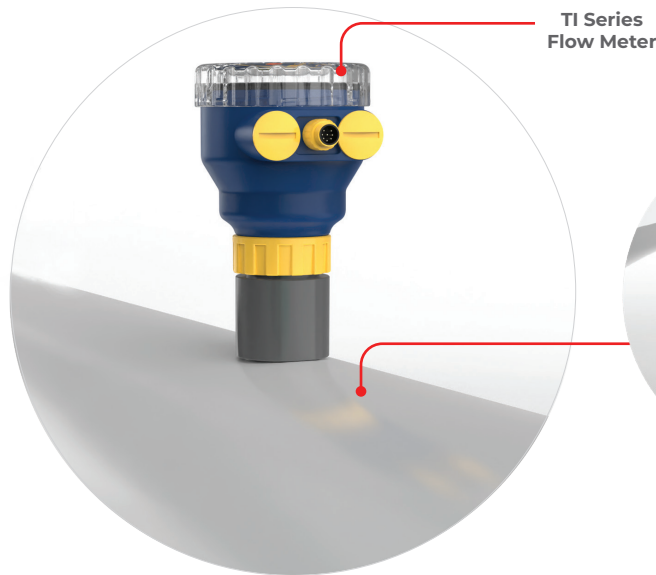
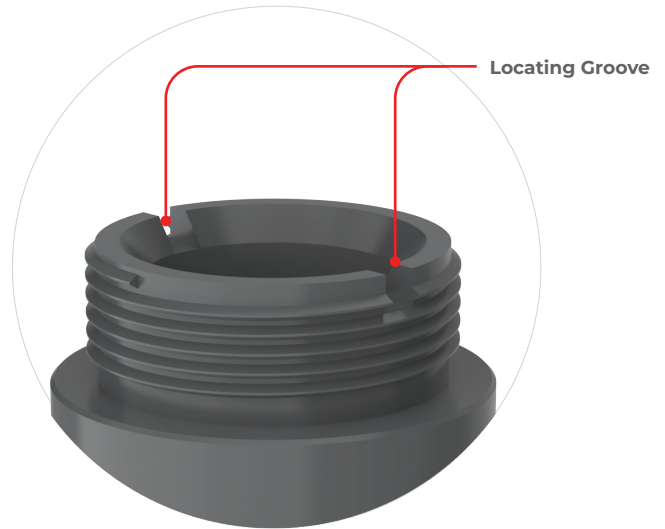


## Seamless Integration for Reliable Flow Measurement

The Truflo PG Series Adapters are specialized components designed for use with flow meters, constructed from durable PVC or CPVC material. These adapters play a crucial role in facilitating the seamless integration of flow meters into various piping systems. With sizes ranging from 2 inches to 24 inches, the PG Series adapters offer a versatile solution to accommodate a wide range of pipe diameters.

### Features

- ✓ 2" - 24" Pipe Sizes
- ✓ Will Accept Signet® Type Flow Meter
- ✓ Easy to Install
- ✓ Excellent Chemical Resistance



TI Series Flow Meter with PG Series Adapter

### Model Selection

Pipe Size	Part Number
2"-4"	PG4
6"-24"	PG24

PVC

CPVC

**RoHS**
  
Compliant

CE