

BASIC TURBINE FLOW METER (TW SERIES)

Technical Specifications

FLOW RANGES

5 - 50 GPM (gal/min)
40 - 400 GPM

PRESSURE

Working pressure up to 5,000 psi

ACCURACY

± 1% of reading or better

REPEATABILITY

± 0.1%

TEMPERATURE

Fluid temperature of -150° to 325°F

FILTRATION

300 microns

END CONNECTIONS

NPT

MATERIALS OF CONSTRUCTION

- Body & Flow Straightener: 316 Stainless Steel
- Rotor: Stainless Steel
- Rotor Shaft: Tungsten Carbide
- Rotor Support: 316 Stainless Steel



Benefits

ACCURATE & RELIABLE

The TW Series turbine meter is accurate to ±1% of reading with repeatability of better than ±0.1%.

RUGGED AND COST-EFFECTIVE

All stainless steel construction and tight machining tolerances make for excellent durability/long life.

INDUSTRY STANDARD

This flow meter comes with a standard NPT end connections for universal applications.

VERSATILE

The meter or just the meter internals are perfect drop-in replacements for NuFlo/Haliburton and Blancett turbine flow meters.

ELECTRONIC INTEGRATION

This meter can accept a variety of existing electronics, such as the MCII, MCIII and BL2800.

SIMPLIFIED MAINTENANCE

Maintenance is easy with the rotor replacement kit. Rotor can be replaced in just 2-3 minutes.

BASIC TURBINE FLOW METER (TW SERIES)

Meter Specifications

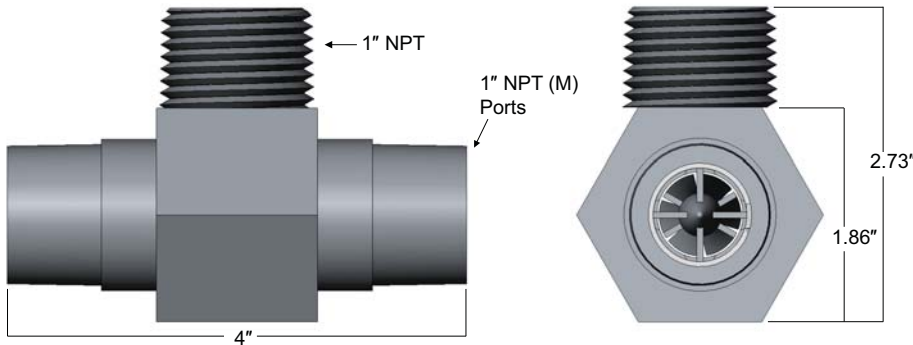
Part Number	Range (gal/min)	K-Factor * (Pulses/ gal)	Porting	Filtration (micron)	Pressure Rating (psi)	End to End Length	Repair Kit ** Part Number
TW-100-x	5-50	900	1" Male NPT	300	5,000	4" / 102 mm	TW-KIT-100
TW-200-x	40-400	45	2" Female NPT	300	5,000	10" / 254 mm	TW-KIT-200

* x=1 for 1 pickup collar, x=2 for 2 pickup collars

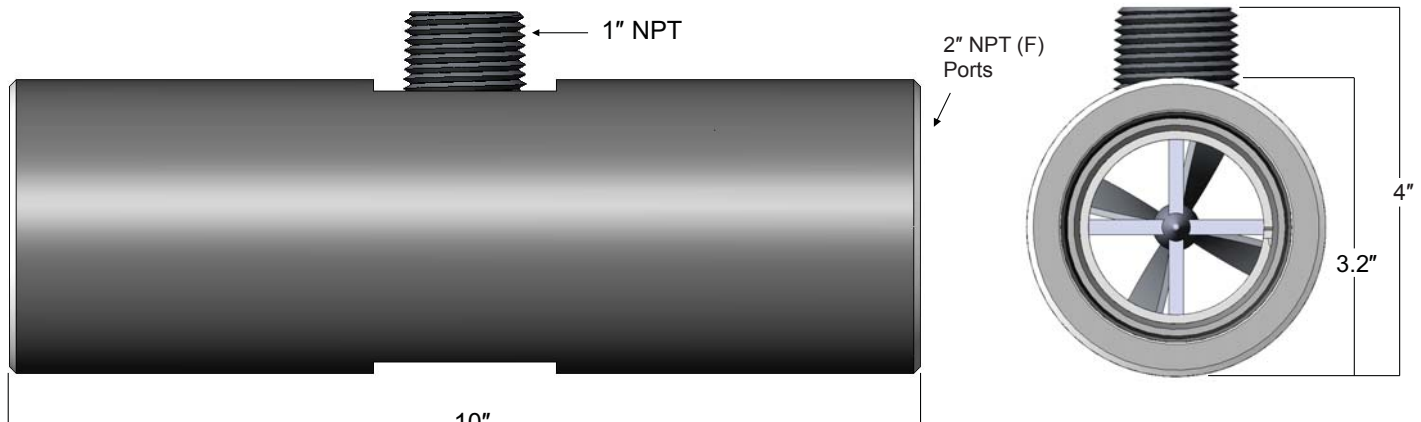
** K-Factors given are averaged. A calibration sheet accompanies every meter sold.

*** Repair Kits include retaining rings, flow straightener and rotor assembly.

Meter Dimensions



Turbine Flow Meter with 1" Connections



Turbine Flow Meter with 2" Connections

Sensor Options*

Model	Sensor Type	Temp (°F)
MG-300	Magnetic Pick-up	-150 to 325
JV-400	Meter Mounted Amplifier	-40 to 185
FIP-4TS	4-20 mA output	-40 to 300
Meter Mounted Displays:		
TM-8A	no output	0 to 140
TM-8B	2 pulse output	0 to 140
TM-8C	4-20mA and pulse outputs	0 to 140

* For additional sensors available, contact factory.

Contact Sabre Turbine Meters:

toll-free: 800-850-6110

fax: 262-884-9810

email: sabreinfo@aw-lake.com

website: www.sabreflow.com