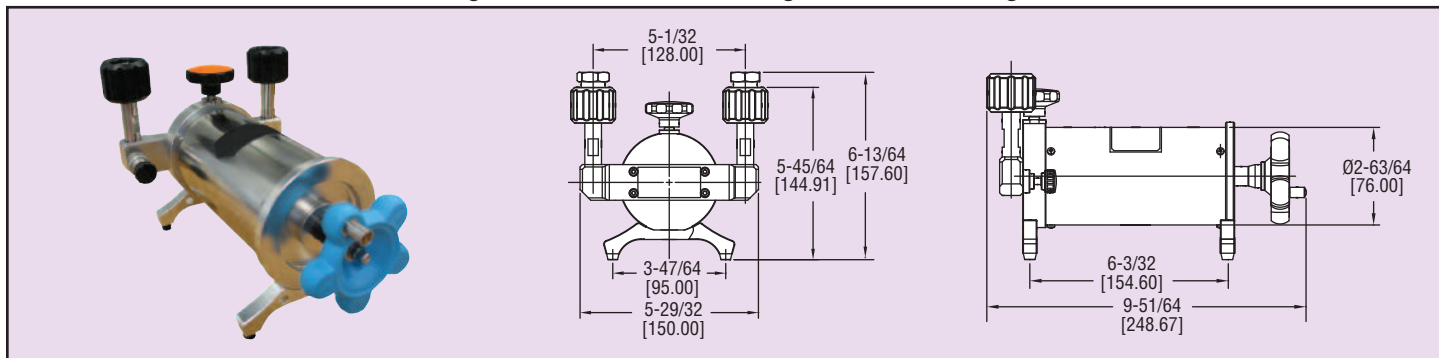




Model
LPCP

Low Pressure Calibration Pump

High Resolution for Calibrating Low Pressure Gages and Transmitters



The **Model LPCP Low Pressure Calibration Pump** is a low air pressure source with the ability to easily adjust and stabilize. This hand pump possesses a pressure range of ± 5.8 psi; uses air as the media, and can adjust the pressure easily with great stability. The LPCP is made up of quick connectors for fast instrument connect and disconnect. The pump has a heat-insulator between the cover and pressure chamber to lessen the heat effect during the micro-pressure calibration. The adjusting resolution is up to 0.01 Pa (0.0001 mbar). These features make the LPCP ideal for calibrating pressure transducers, precision pressure gages, and other pressure instruments.

FEATURES

- Portable
- Pressure resolution: 0.01 Pa; 0.0001 mbar
- Heat insulation and heat preservation, no negative side effects from temperature changes
- Open structure for convenient maintenance of the pumps
- Easy to operate: pressure is precisely set with a simple turn of the handle, allowing you to calibrate gages quickly and accurately
- Great seal performance: minimum leakage

Model LPCP-2, Low Pressure Calibration Pump

SPECIFICATIONS

Media: Air.

Output Ranges: 5.8 psi (0.4 bar) vacuum to 5.8 psi (0.4 bar) positive pressure.

Pressure Resolution: 0.01 Pa; 0.0001 mbar.

Process Connection: M20*1.5; 1/4" NPT with included adapters.

Gage Connection: M20*1.5; 1/4" NPT with included adapters.

Material:

Ram/adapters: 316 SS;
Body: Steel/aluminum;
Seals: Buna-N.

Weight: 2.21 lb (1.0 kg).

ACCESSORY

A-113A, Fitting Kit

Fitting Kit Includes:

- (1) 1/4" NPT to 1/8" quick connect fitting
- (1) 1/4" NPT to hose barb fitting
- (1) hose barb fitting to 1/8" quick connect fitting
- (2) 19.7" (0.5 m) length of blue 1/8" O.D. tubing
- (2) 12" (0.3 m) length of clear 1/4" O.D. tubing