

- ✔ Non-Contact
- ✔ Senses through Wall
- ✔ Relay Output

Conductive and Non-Conductive Liquids

The NC30 Non-Contact liquid Level | Flow Sensor has been designed using high frequency technology to sense the presence of liquid | conductive | non conductive Suitable for Non-Metalic Tubing | Tanks | Drums | Pipe



FEATURES

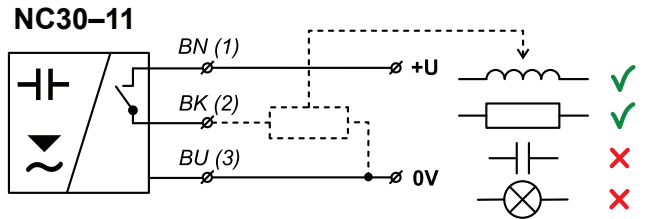
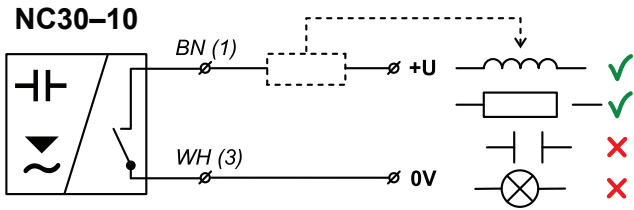
- ✔ All Plastic PP Design
- ✔ Non-Intrusive Liquid Level | Flow Detection through Plastic or Fiberglass Walls
- ✔ Small Footprint | Easy to Install
- ✔ LED Display
- ✔ M12 Disconnect or Fixed Cable Connector
- ✔ Fits on ½"- 2" Diameter Pipe | Sch 40 | 80
- ✔ Senses up to 0.3" | (8mm) Wall Thickness

MODELS	NC30-10	- V Design sensing electrode face for piping and tubing applications.
	NC30-11	- Flat electrode for installation on drums and tanks

SPECIFICATIONS

Supply voltage		6 -30VDC
Supply current	- Output type Pulse - Output type S - Relay	Max. 0.6 7mA (OFF ON State) Max. 0.6mA (OFF State)
Switched current (Min / Max)	- Output type Pulse - Output type S - Relay	100mA 3.3mA 40mA
Remanent voltage – ON state	- Output type Pulse - Output type S - Relay	1.8 V 6.0 V
Switching frequency		Max. 1 Hz
Max. thickness of the vessel wall	- Conductive liquids - Non-conductive liquids with $\epsilon_r < 10^*$	0.3" (8 mm) 0.11" (3 mm)
Ambient temperature range		-20 +80°C
Temperature range at the tube or vessel surface		-20 +90°C
Housing material		Plastic (PP)
Protection class		NEMA 4X IP67
Cable Connection		PVC PVC
Weight (including 2 m cable)		Approx. 60 g

ELECTRICAL CONNECTION



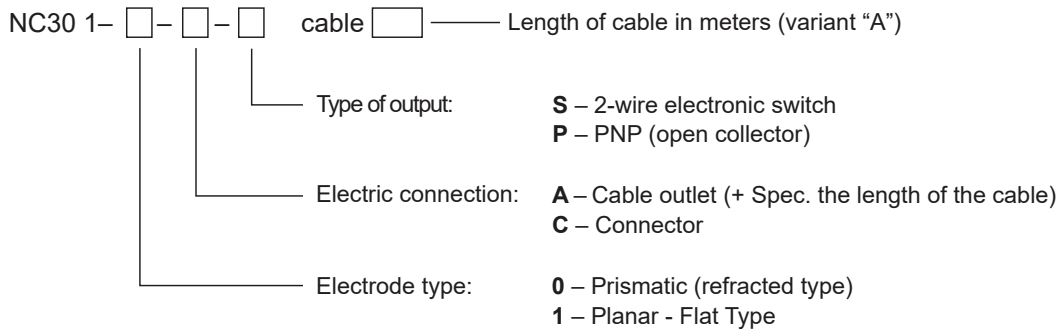
Note:

The sensor output is short circuit protected.
Shielded Cable is recommended

Legend:

- BN – Brown
- WH – White
- BU – Blue
- BK – Black

ORDER CODE



DIMENSIONS DRAWINGS

