

Totalizer

This compact totalizer is designed to be used primarily with mass flow meters and mass flow controllers. It can also be used in conjunction with other types of instrumentation with 0-5 Vdc signal outputs.

The totalizer takes analog output flow signals of either 5 to 10 Vdc, from GFM mass flow meters and GFC mass flow controllers, or 0 to 5 Vdc from AFC mass flow controllers, AFM mass flow meters and other compatible products (jumper selectable).

The totalizer integrates and accumulates up to 7 digits of direct engineering units for the given gas and flow rate (i.e. standard liters, standard cubic centimeters, etc.).

In order to reduce low signal (noise) totalizing, provision is made for 1% cut off.

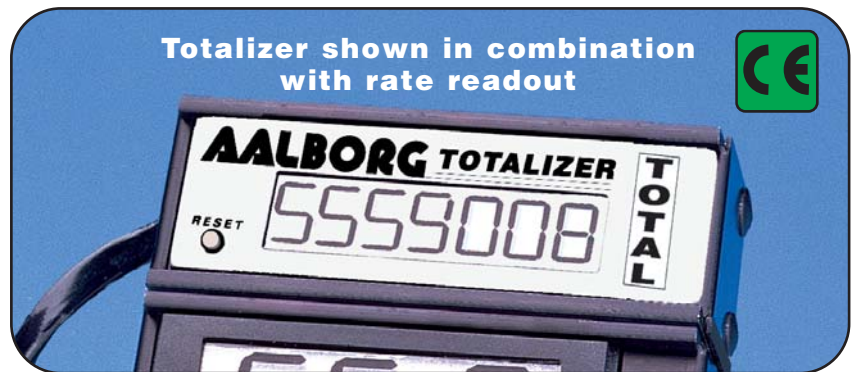
A built-in battery back-up holds the total reading for up to 20 years.

The totalizer can be connected to GFM mass flow meters or GFC mass flow controllers via either a modular jack replacing the LCD display or with an additional connector in parallel with the LCD display.

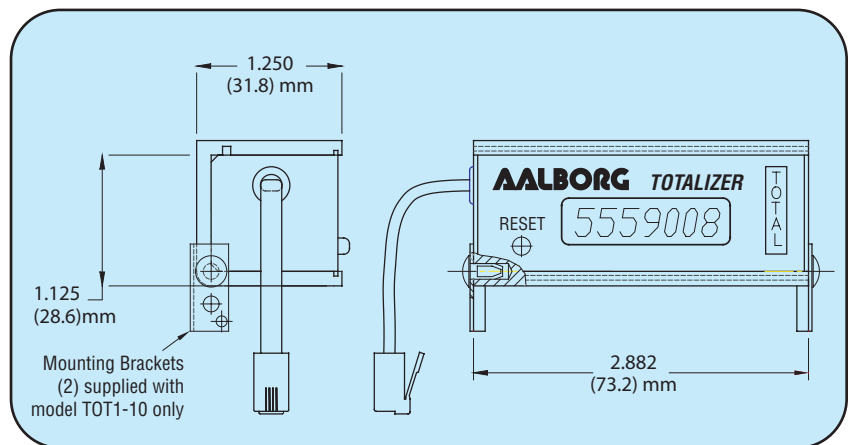
Each totalizer is shipped from the factory with adjustments made for specified flow rates. The totalizer can be re-scaled for a different flow range or engineering unit.

Specifications

- INPUT ANALOG RANGE:** 5 to 10 Vdc/0 to 5 Vdc optional.
- POWER CONSUMPTION:** 10 mA at 12 Vdc, less than 0.125 watts.
- ACCURACY:** ±0.5% of full scale.
- TEMPERATURE STABILITY:** ±200 ppm/°C in the range of 5°C to 50°C.
- DISPLAY:** 7 digit, 8mm figure height.
- READING BACKUP:** 20 years lithium battery, no external power required.
- RESET:** Push button switch.
- WEIGHT:** 3.5oz.



Dimensions



Cable Connection

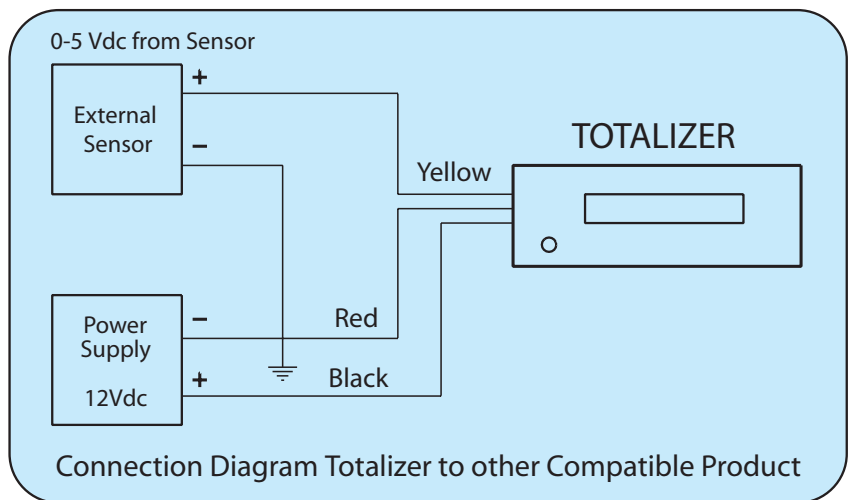


TABLE 16 - TOTALIZER

TOT-10-0C	Totalizer (5Vdc-10Vdc signals) calibrated.
TOT-10-0N	Totalizer (5Vdc-10Vdc signals) uncalibrated.
TOT-5-0C	Totalizer (0Vdc-5Vdc signals) calibrated.
TOT-5-0N	Totalizer (0Vdc-5Vdc signals) uncalibrated.
CBL-TOT10	Cable & splitter, used in conjunction w/ display
CBL-TOT5	Cable with stripped end