



Product Data

Process Gauges

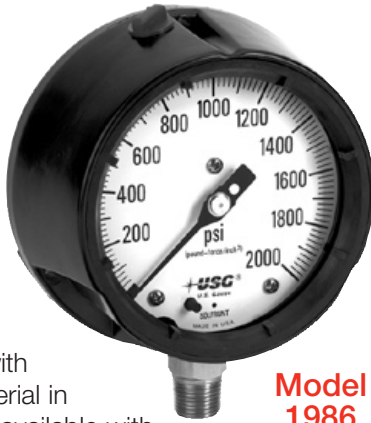
SOLFRUNT® 4-1/2" Model 1986

DESCRIPTION

The Model 1986 4-1/2" Process Gauge has a black glass reinforced thermoplastic (PBTB) turret style case for chemical and petrochemical processing applications. This model is available with wetted surface material in MONEL®. They are available with a field fillable EZ Fill case or liquid filled from the factory or your local stocking distributor.

The Model 1986 4-1/2" SOLFRUNT gauges are supplied in 21 vacuum, compound, and pressure ranges from 30" Hg vacuum through 10,000 psi. The low-connected phenolic turret case can be easily liquid filled in the field with no additional parts to order.

Pointer adjustments are easily made by removing ring and window.



Model 1986

SPECIFICATIONS

DIAL SIZE: 4-1/2"

CASE AND RING:

For Stem or Wall Mounting:

PET TURRET CASE (black) with glass reinforced thermoplastic threaded ring and pressure-relieving back

WINDOW: Polycarbonate

POINTER: Aluminum, micro-adjustable with black finish

DIAL: Aluminum with baked white background and black markings

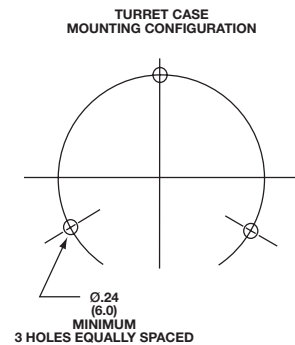
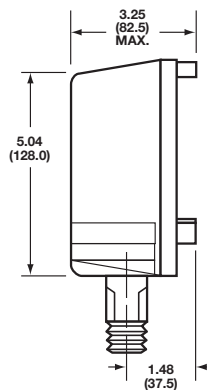
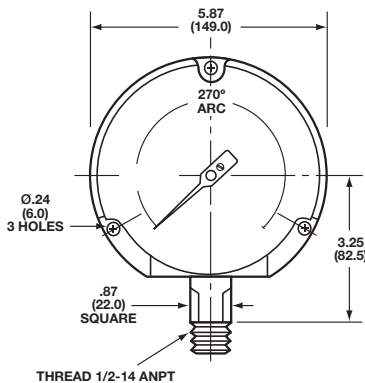
MOVEMENT: Stainless steel

BOURDON TUBE: K MONEL®, MONEL®/micro-brazed

CONNECTION: MONEL, 1/2-14 ANPT standard (1/4-18 ANPT, optional)

ACCURACY: ±0.5% of span (Grade 2A)

**INCHES
(MM)**



© 2010, by AMETEK, Inc. All rights reserved.
Printed in the U.S.A. 310PDF (160166)

ALL ORDERS CAN BE SENT TO:

On-line fax: 215-323-9450 or e-mail to usg.sales@ametek.com

Sales/Technical Support: 215-257-6531

900 Clymer Avenue
Sellersville, PA 18960 U.S.A.



Specifications are subject to change without notice. Visit our Web site for the most up-to-date information.



Product Data

Process Gauges

SOLFRUNT® 4-1/2" Model 1986

SPEC NUMBER SELECTION CHART

Model Number	1986	1986
Bourdon Tube	K MONEL®	K MONEL®
Socket	MONEL®	MONEL®
Size	4-1/2"	4-1/2"
Connection	1/2" NPT	1/4" NPT
Range*	Spec No.	Spec No.
0-30" Hg VAC	170060K	175060K
30"-0-15 psi	170061K	175061K
30"-0-30 psi	170062K	175062K
30"-0-60 psi	170063K	175063K
30"-0-100 psi	170064K	175064K
30"-0-150 psi	170065K	175065K
30"-0-300 psi	270449K	275449K
0-15 psi	170066K	175066K
0-30 psi	170067K	175067K
0-60 psi	170068K	175068K
0-100 psi	170069K	175069K
0-160 psi	170070K	175070K
0-200 psi	170071K	175071K
0-300 psi	170072K	175072K
0-400 psi	170073K	175073K
0-600 psi	170074K	175074K
0-1000 psi	170075K	175075K
0-2000 psi	170529K	175529K
0-3000 psi	170530K	175530K
0-5000 psi	170531K	175531K
0-10,000 psi	170532K	175532K

NOTE: This table is not intended to be all inclusive of all possible configurations.

Metric and dual scale dials are available on all 1900 Series gauges. Please reference Metric and Dual Scale Dial part numbers in this section.



© 2010, by AMETEK, Inc. All rights reserved.
Printed in the U.S.A. 310PDF (160166)

ALL ORDERS CAN BE SENT TO:

On-line fax: 215-323-9450 or e-mail to usg.sales@ametek.com

Sales/Technical Support: 215-257-6531

900 Clymer Avenue
Sellersville, PA 18960 U.S.A.



Specifications are subject to change without notice. Visit our Web site for the most up-to-date information.