



GENERAL PURPOSE GAUGES

P-844U and P-845FF General Panel Mount Gauges

DESCRIPTION

Utilizing either front flanged or U-clamp cases, these attractive panel mount gauges can be flush mounted on instrument panels, pressure test stands, steam cleaners, sterilizers, and many other types of equipment. Where a minimum of space is available the 844 U-clamp series is more desirable. When it is desirable to mount the gauge from the front of panel, the 845 front flanged series may be specified. All models utilize a unique one piece plastic threaded ring and window which can be removed, permitting in-panel pointer adjustment. Optional stainless steel bourdon tube and socket for use where the pressure medium is corrosive to copper alloys is available.



Model P-844U
U-Clamp Mount



Model P-845FF
Front Flanged Panel Mount

SPECIFICATIONS

SIZES: 2", 2-1/2", 3-1/2"

RANGES: V-844U, V-845FF: 30" Hg VAC

P-844U, P-845FF: 0-15 psi though 0-3000 psi*

ACCURACY: ±3-2-3% of span (Grade B)

BOURDON TUBE: Pressure ranges above 15 psi up to and including 1000 psi are phosphor bronze, soft soldered
2000 and 3000 psi are phosphor bronze, silver soldered
Vacuum and 15 psi are beryllium copper, soft soldered

WINDOW AND RING: Threaded, polycarbonate

MOVEMENT: Brass

DIAL: Steel, white background with black markings. Utilizes the "zero band" concept where the zero graduation and numeral are replaced with a band representing the total accuracy tolerance at zero

POINTER: Aluminum, adjustable with black finish

CASE: 844: Drawn steel, with studs, U-clamp and nuts, black corrosion-resistant paint, furnished with two piece U-clamp and nuts, zinc plated

845: Drawn steel with three hole flange, black corrosion-resistant paint

CONNECTION: CBM, brass; 1/8-27 NPT: 2" and 2-1/2" up to 600 psi; 1/4-18 NPT: 2-1/2" 1000 psi and above and all 3-1/2" gauges

Other sizes, ranges, and mounting configurations are available for OEM quantities

* 0-160 and 0-400 only available in 2", 2-1/2";

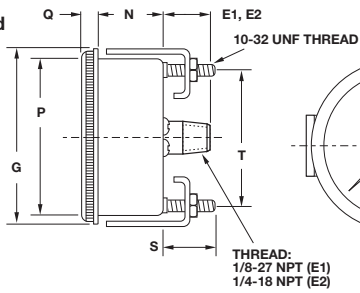
0-1000, 0-2000 and 0-3000 only available in 2-1/2" P-844UK only



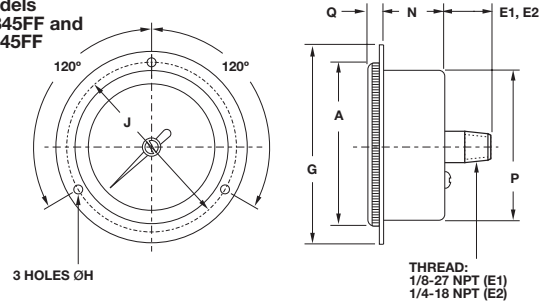
GENERAL PURPOSE GAUGES

P-844U and P-845FF General Panel Mount Gauges

Models P-844U and V-844U



Models P-845FF and V-845FF



INCHES (MM)

Dimensions – Models P-844U and V-844U

Dial Sizes	Unit	E1	E2	G	H	P	Q	S	T	T2
2"	inches mm	.71 18.03	– –	2.28 57.91	1.12 27.69	2.11 53.85	.24 6.10	.79 20.57	1.62 41.15	.75 19.05
2-1/2"	inches mm	.71 18.03	.77 19.56	2.81 71.37	1.12 27.69	2.56 65.79	.28 7.62	.79 20.57	2.20 55.88	.75 19.05
3-1/2"	inches mm	– –	.78 19.05	3.94 100.08	1.09 27.69	3.64 93.73	.28 8.13	.81 20.57	3.25 82.55	.75 19.05

Dimensions – Models P-845FF and V-845FF

Dial Sizes	Unit	A	E1	E2	G	H	J	N	P	Q
2"	inches mm	2.25 57.15	.72 18.03	– –	2.82 71.37	.156 3.96	2.562 65.08	1.12 27.69	2.11 53.85	.24 6.10
2-1/2"	inches mm	2.80 71.12	.72 18.03	– –	3.52 89.66	.156 3.96	3.125 79.38	1.12 27.69	2.56 65.79	.28 7.1
3-1/2"	inches mm	3.88 98.55	– –	.78 19.05	4.84 122.94	.219 5.56	4.25 107.95	1.09 27.69	3.68 93.73	.29 7.37

Panel Cutout Dimensions

Dial Size	Unit	Panel Cutout
2"	inches mm	2.17 55.1
2-1/2"	inches mm	2.64 67.1
3-1/2"	inches mm	3.73 94.7



GENERAL PURPOSE GAUGES

P-844U and P-845FF General Panel Mount Gauges

Spec Number Selection Chart

Model P-844U, V-844U				
Connection	Ranges	2" Spec No.	2-1/2" Spec No.	3-1/2" Spec No.
1/8-27 CBM (3-1/2" 1/4-18 NPT)	30"-0 VAC	164415	164425	138024A
	0-15 psi	164416	164426	138025A
	0-30 psi	164417	164427	138026A
	0-60 psi	164418	164428	138027A
	0-100 psi	164419	164429	138028A
	0-160 psi	164420	164430	-
	0-200 psi	164421	164431	138029A
	0-300 psi	164422	164432	138030A
	0-400 psi	164423	164433	-
	0-600 psi	164424	164434	138031A
1/4-18 CBM	0-1000 psi	-	164435	-
	0-2000 psi	-	164436	-
	0-3000 psi	-	164437	-

Model P-845FF, V-845FF				
Connection	Ranges	2" Spec No.	2-1/2" Spec No.	3-1/2" Spec No.
1/8-27 CBM (3-1/2" 1/4-18 NPT)	30"-0 VAC	164439	164449	138052A
	0-15 psi	164440	164450	138053A
	0-30 psi	164441	164451	138054A
	0-60 psi	164442	164452	138055A
	0-100 psi	164443	164453	138056A
	0-160 psi	164444	164454	-
	0-200 psi	164445	164455	138057A
	0-300 psi	164446	164456	138058A
	0-400 psi	164447	164457	-
	0-600 psi	164448	164458	138059A