



PROCESS GAUGES

SOLFRUNT[®] 4-1/2" Models 1901 and 1931

DESCRIPTION

The Models 1901 and 1931 4-1/2" process gauges have an aluminum back-flanged case for applications needing stem or wall mounting. These models are available with wetted surface material in brass/phosphor bronze or 316L stainless steel. They are available dry or liquid filled from the factory or your local stocking distributors, or can be ordered with a liquid fill kit for filling in the field.

Models 1901 and 1931 4-1/2" SOLFRUNT gauges are supplied in 18 vacuum, compound, and pressure ranges from 30" Hg vacuum through 11600 psi. The low-connected aluminum back-flanged case can be easily liquid filled in the field using the appropriate conversion kit.

Span adjustments can be accomplished from rear of case without disturbing the gauge internals. Pointer adjustments are easily made by removing ring and window.



SOLFRUNT Model 1931

SPECIFICATIONS

SIZES: 4-1/2"

ACCURACY: ±0.5% of span (Grade 2A), except where seamless stainless steel Bourdon tubes are used in following ranges: Type 316L from 10000 to 11600 psi; accuracy is ±0.5% on ascending pressure and ±1.0% on descending pressure

BOURDON TUBE: Phosphor bronze/silver brazed (Model 1901) or 316L seamless stainless steel/TIG welded (Model 1931)

WINDOW: High temperature acrylic, laminated shatter-resistant glass options available

MOVEMENT: Geared movement with components of corrosion-resistant 300 series stainless steel. Movement can be removed for examination and cleaning without disturbing span and scale shape adjustments

DIAL: Aluminum with baked white background and black markings

POINTER: Anodized aluminum, micro-adjustable with black finish (optional lazy hand available, part number 156147, with dry gauges only)

CASE AND RING:

For Stem or Wall Mounting:

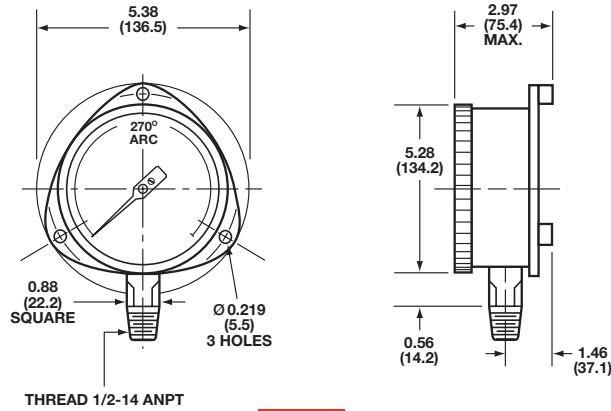
Cast aluminum, back-flanged case with bayonet ring, black finish and stainless steel pressure-relieving back (liquid fill kit available)

CONNECTION: Brass (Model 1901) or 316L stainless steel (Model 1931), 1/2-14 ANPT standard (1/4-18 ANPT optional)



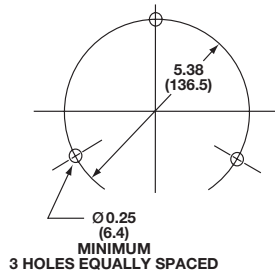
PROCESS GAUGES

SOLFRUNT® 4-1/2" Models 1901 and 1931



**INCHES
(MM)**

**CAST ALUMINUM CASE
MOUNTING CONFIGURATION**



Spec Number Selection Chart		
Model Number	1901	1931
Bourdon Tube	Phosphor Bronze	316L Stainless Steel
Socket	Brass	316L Stainless Steel
Sizes	4-1/2"	4-1/2"
Ranges*	Spec No.	Spec No.
0-30" Hg VAC	150200	150215
30"-0-15 psi	150201	150216
30"-0-30 psi	150202	150217
30"-0-100 psi	150204	150219
0-15 psi	150205	150220
0-30 psi	150206	150221
0-60 psi	150207	150222
0-100 psi	150208	150223
0-160 psi	150209	150224
0-200 psi	150210	150225
0-300 psi	150211	150226
0-400 psi	**	150227
0-600 psi	**	150228
0-1000 psi	150214	150230
0-1500 psi	-	150231
0-2300 psi	-	150232
0-3500 psi	-	150233
0-6000 psi	-	150234

* Metric and dual scale dials are available on all 1900 Series gauges

** For these pressure ranges, please consider our Model 1931 with 316L SST wetted parts.

1/4-18 ANPT available – use 155XXX when ordering

For factory liquid filling please add LG for Glycerin or LS for Silicone to the end of the spec numbers above, for example 150200LG