

Operating Instructions

Radar sensor for continuous level measurement

VEGAPULS C 21

SDI-12



Document ID: 58342



VEGA

Contents

1	About this document	4
1.1	Function	4
1.2	Target group	4
1.3	Symbols used.....	4
2	For your safety	5
2.1	Authorised personnel	5
2.2	Appropriate use.....	5
2.3	Warning about incorrect use.....	5
2.4	General safety instructions	5
2.5	Mode of operation - Radar signal	6
2.6	Installation and operation in the USA and Canada	6
3	Product description	7
3.1	Configuration.....	7
3.2	Principle of operation.....	8
3.3	Adjustment	8
3.4	Packaging, transport and storage.....	9
3.5	Accessories.....	10
4	Mounting	11
4.1	General instructions	11
4.2	Mounting versions	11
4.3	Mounting instructions	12
4.4	Measurement setups - Gauge.....	13
4.5	Measurement setup - Flow	15
5	Connecting to power supply	18
5.1	Preparing the connection	18
5.2	Wiring plan	18
5.3	Switch-on phase.....	19
6	Access protection	20
6.1	Bluetooth radio interface	20
6.2	Protection of the parameterization.....	20
6.3	Storing the codes in myVEGA	21
7	Setup with smartphone/tablet (Bluetooth)	22
7.1	Preparations.....	22
7.2	Connecting.....	22
7.3	Parameter adjustment	23
8	Setup with PC/notebook (Bluetooth)	24
8.1	Preparations.....	24
8.2	Connecting.....	24
8.3	Parameter adjustment	25
9	Adjustment menu	26
9.1	Menu overview	26
9.2	Adjustment (stage)	27
10	Diagnostics and servicing	28
10.1	Maintenance	28
10.2	Rectify faults.....	28

10.3	Status messages according to NE 107	29
10.4	Treatment of measurement errors	31
10.5	Software update	34
10.6	How to proceed if a repair is necessary	34
11	Dismount.....	35
11.1	Dismounting steps.....	35
11.2	Disposal	35
12	Certificates and approvals	36
12.1	Radio licenses.....	36
12.2	Approvals for Ex areas	36
12.3	Approvals as overfill protection.....	36
12.4	Food and pharmaceutical certificates.....	36
12.5	Conformity.....	36
12.6	NAMUR recommendations	36
12.7	Environment management system	37
13	Supplement	38
13.1	Technical data	38
13.2	SDI-12 - Overview	42
13.3	Basic Commands.....	42
13.4	Extended Commands	45
13.5	Device-Status15).....	49
13.6	VVO-Status16)	50
13.7	Dimensions	51
13.8	Industrial property rights.....	52
13.9	Licensing information for open source software	52
13.10	Trademark.....	52

1 About this document

1.1 Function

This instruction provides all the information you need for mounting, connection and setup as well as important instructions for maintenance, fault rectification, safety and the exchange of parts. Please read this information before putting the instrument into operation and keep this manual accessible in the immediate vicinity of the device.

1.2 Target group

This instruction manual is directed to trained personnel. The contents of this manual must be made available to the qualified personnel and implemented.

1.3 Symbols used



Document ID

This symbol on the front page of this instruction refers to the Document ID. By entering the Document ID on www.vega.com you will reach the document download.



Information, note, tip: This symbol indicates helpful additional information and tips for successful work.



Note: This symbol indicates notes to prevent failures, malfunctions, damage to devices or plants.



Caution: Non-observance of the information marked with this symbol may result in personal injury.



Warning: Non-observance of the information marked with this symbol may result in serious or fatal personal injury.



Danger: Non-observance of the information marked with this symbol results in serious or fatal personal injury.



Ex applications

This symbol indicates special instructions for Ex applications.



List

The dot set in front indicates a list with no implied sequence.



Sequence of actions

Numbers set in front indicate successive steps in a procedure.



Disposal

This symbol indicates special instructions for disposal.

2 For your safety

2.1 Authorised personnel

All operations described in this documentation must be carried out only by trained and authorized personnel.

During work on and with the device, the required personal protective equipment must always be worn.

2.2 Appropriate use

VEGAPULS C 21 is a sensor for continuous level measurement.

You can find detailed information about the area of application in chapter "*Product description*".

Operational reliability is ensured only if the instrument is properly used according to the specifications in this document as well as possible supplementary instructions.

2.3 Warning about incorrect use

Inappropriate or incorrect use of this product can give rise to application-specific hazards, e.g. vessel overflow through incorrect mounting or adjustment. Damage to property and persons or environmental contamination can result. Also, the protective characteristics of the instrument can be impaired.

2.4 General safety instructions

This is a state-of-the-art instrument complying with all prevailing regulations and directives. The instrument must only be operated in a technically flawless and reliable condition. The operating company is responsible for the trouble-free operation of the instrument. When measuring aggressive or corrosive media that can cause a dangerous situation if the instrument malfunctions, the operating company has to implement suitable measures to make sure the instrument is functioning properly.

The safety instructions in this instructions manual, the national installation standards as well as the valid safety regulations and accident prevention rules must be observed.

For safety and warranty reasons, any invasive work on the device beyond that described in this instructions manual may be carried out only by personnel authorised by us. Arbitrary conversions or modifications are explicitly forbidden. For safety reasons, only the accessory specified by us must be used.

To avoid any danger, the safety approval markings and safety tips on the device must also be observed.

The low transmitting power of the radar sensor is far below the internationally approved limits. No health impairments are to be expected with intended use. The band range of the measuring frequency can be found in chapter "*Technical data*".

2.5 Mode of operation - Radar signal

Country or region specific settings for the radar signals are determined via the mode. The operating mode must be set in the operating menu via the respective operating tool at the beginning of the setup.



Caution:

Operating the device without selecting the relevant mode constitutes a violation of the regulations of the radio approvals of the respective country or region.

2.6 Installation and operation in the USA and Canada

This information is only valid for USA and Canada. Hence the following text is only available in the English language.

Installations in the US shall comply with the relevant requirements of the National Electrical Code (NEC - NFPA 70) (USA).

Installations in Canada shall comply with the relevant requirements of the Canadian Electrical Code (CEC Part I) (Canada).

A Class 2 power supply unit has to be used for the installation in the USA and Canada.

3 Product description

3.1 Configuration

Scope of delivery

The scope of delivery encompasses:

- Radar sensor
- counter nut G1 (for G-thread)
- Information sheet "*Documents and software*" with:
 - Instrument serial number
 - QR code with link for direct scanning
- Information sheet "*PINs and Codes*" (with Bluetooth versions) with:
 - Bluetooth access code
- Information sheet "*Access protection*" (with Bluetooth versions) with:
 - Bluetooth access code
 - Emergency Bluetooth unlock code
 - Emergency device code

The further scope of delivery encompasses:

- Documentation
 - Ex-specific "*Safety instructions*" (with Ex versions)
 - Radio licenses
 - If necessary, further certificates



Information:

Optional instrument features are also described in this instructions. The respective instrument scope of delivery results from the order specification.

Constituent parts

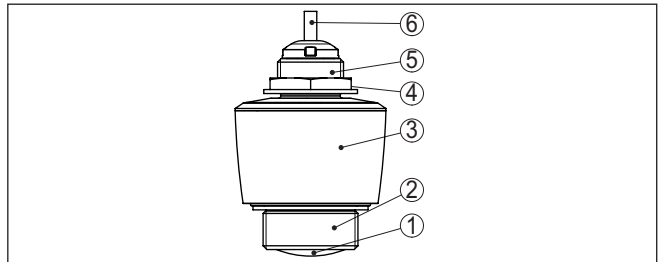


Fig. 1: Components of VEGAPULS C 21

- 1 Radar antenna
- 2 Process fitting
- 3 Electronics housing
- 4 Counter nut
- 5 Mounting thread
- 6 Connection cable

Type label

The type label contains the most important data for identification and use of the instrument:

- Instrument type
- Information about approvals

- Configuration information
- Technical data
- Serial number of the instrument
- QR code for device identification
- Numerical code for Bluetooth access (optional)
- Manufacturer information

Documents and software To find order data, documents or software related to your device, you have the following options:

- Move to "www.vega.com" and enter in the search field the serial number of your instrument.
- Scan the QR code on the type label.
- Open the VEGA Tools app and enter the serial number under "**Documentation**".

3.2 Principle of operation

Application area

The VEGAPULS C 21 is a radar sensor for non-contact, continuous gauge measurement.

The device is designed for connection to data loggers with SDI-12 interface, making it particularly suitable for battery-powered applications requiring low power consumption.

Power supply and signal processing

The VEGAPULS C 21 can be operated at any data logger with SDI-12 interface. The sensors are powered via the +12 V line of the three-wire connection cable.

Functional principle

The instrument emits a continuous, frequency-modulated radar signal through its antenna. The emitted signal is reflected by the medium and received by the antenna as an echo with modified frequency. The frequency change is proportional to the distance and is converted into the level.

3.3 Adjustment

Wireless adjustment

The optionally integrated Bluetooth module enables a wireless adjustment of VEGAPULS C 21 via standard adjustment devices:

- Smartphone/tablet (iOS or Android operating system)
- PC/notebook with Bluetooth USB adapter (Windows operating system)

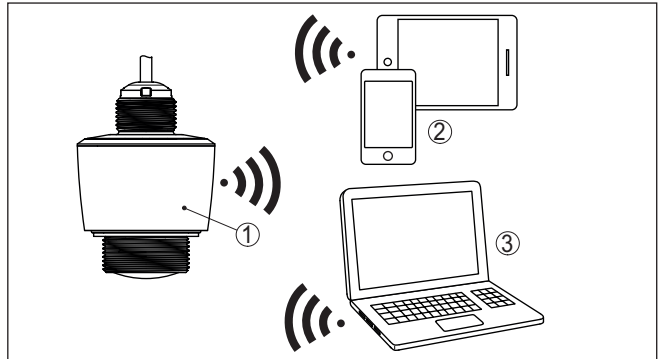


Fig. 2: Wireless connection to standard adjustment devices with integrated Bluetooth LE or alternatively Bluetooth USB adapter.

- 1 Sensor
- 2 Smartphone/Tablet
- 3 PC/Notebook

Adjustment via the signal cable

The SDI-12 data communication is controlled by commands from the SDI-12 data logger via the signal cable.

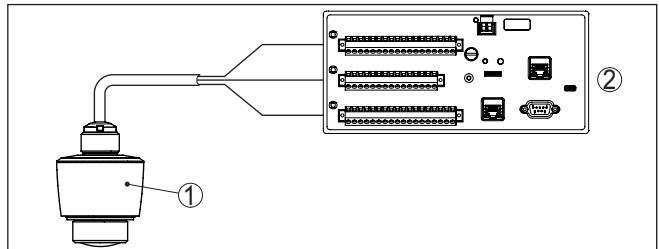


Fig. 3: Connection of VEGAPULS C 21 SDI-12 to the data logger

- 1 Sensor
- 2 Data logger

3.4 Packaging, transport and storage

Packaging

Your instrument was protected by packaging during transport. Its capacity to handle normal loads during transport is assured by a test based on ISO 4180.

The packaging consists of environment-friendly, recyclable cardboard. For special versions, PE foam or PE foil is also used. Dispose of the packaging material via specialised recycling companies.

Transport

Transport must be carried out in due consideration of the notes on the transport packaging. Nonobservance of these instructions can cause damage to the device.

Transport inspection	The delivery must be checked for completeness and possible transit damage immediately at receipt. Ascertained transit damage or concealed defects must be appropriately dealt with.
Storage	<p>Up to the time of installation, the packages must be left closed and stored according to the orientation and storage markings on the outside.</p> <p>Unless otherwise indicated, the packages must be stored only under the following conditions:</p> <ul style="list-style-type: none"> ● Not in the open ● Dry and dust free ● Not exposed to corrosive media ● Protected against solar radiation ● Avoiding mechanical shock and vibration
Storage and transport temperature	<ul style="list-style-type: none"> ● Storage and transport temperature see chapter "<i>Technical data - Ambient conditions</i>" ● Relative moisture 20 ... 85 %
3.5 Accessories	
Flanges	Screwed flanges are available in different versions according to the following standards: DIN 2501, EN 1092-1, BS 10, ASME B 16.5, JIS B 2210-1984, GOST 12821-80.
Welded socket, threaded and hygienic adapter	<p>Welded sockets are used to connect the devices to the process.</p> <p>Threaded and hygienic adapters enable simple adaptation of devices with standard threaded fittings to process-side hygiene connections.</p>
Mounting strap	The mounting accessories are used for stable mounting of the device at the measuring point. The parts are available in various versions and sizes.

4 Mounting

4.1 General instructions

Ambient conditions

The instrument is suitable for standard and extended ambient conditions acc. to DIN/EN/BS EN/IEC/ANSI/ISA/UL/CSA 61010-1. It can be used indoors as well as outdoors.

Process conditions



Note:

For safety reasons, the instrument must only be operated within the permissible process conditions. You can find detailed information on the process conditions in chapter "Technical data" of the operating instructions or on the type label.

Hence make sure before mounting that all parts of the instrument exposed to the process are suitable for the existing process conditions.

These are mainly:

- Active measuring component
- Process fitting
- Process seal

Process conditions in particular are:

- Process pressure
- Process temperature
- Chemical properties of the medium
- Abrasion and mechanical influences

Permissible process pressure (MWP) - Device

The permissible process pressure range is specified on the type label with "MWP" (Maximum Working Pressure). The MWP takes into account the component with the lowest pressure and may be applied permanently. This specification refers to a reference temperature of +20 °C (+68 °F).

In addition, a temperature derating of the process fitting, e. g. with flanges, can limit the permissible process pressure range according to the respective standard.



Note:

To prevent damage to the device, a test pressure may only briefly exceed the specified MWP by 1.5 times at reference temperature.

Permissible process pressure (MWP) - Mounting accessory

The permissible process pressure range is stated on the type label. The instrument should only be operated with these pressures if the mounting accessory used also fulfils these values. This should be ensured by suitable flanges, welded sockets, tension rings with Clamp connections, sealings, etc.

4.2 Mounting versions

Mounting bracket

For a rigid mounting, a mounting bracket with opening for thread G1 is recommended. The mounting of the device in the bracket is carried out via the supplied G1 counter nut of plastic. Take note of chapter "Mounting instructions" for the recommended distance to the wall.

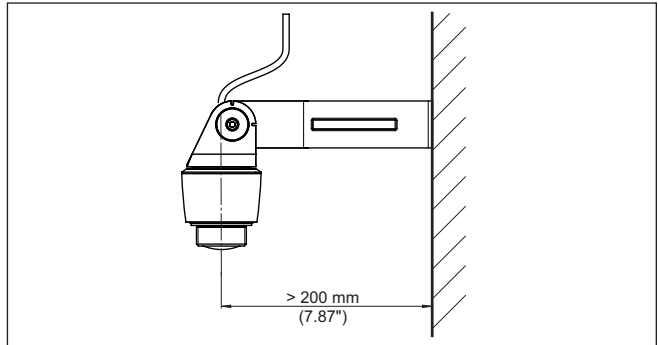


Fig. 4: Mounting via a mounting bracket

4.3 Mounting instructions

Polarisation

Radar sensors for level measurement emit electromagnetic waves. The polarization is the direction of the electrical component of these waves.

The position of the polarisation is in the middle of the type label on the instrument.

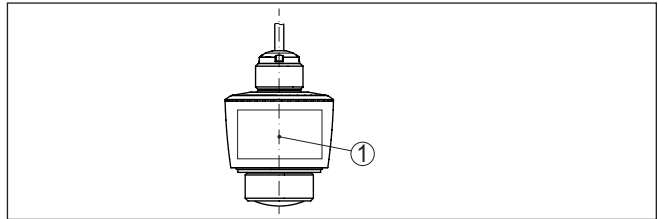


Fig. 5: Position of the polarisation

1 Middle of the type label



Note:

When the device is rotated, the direction of polarization changes and hence the influence of the false echo on the measured value. Please keep this in mind when mounting or making changes later.

Installation position

Mount the device at a position that is at least 200 mm (7.874 in) away from a wall or structural parts (see illustrations above).

If you cannot maintain this distance, you should carry out a false signal suppression during setup. This applies particularly if buildup on the wall or structural parts is to be expected. In such cases, we recommend repeating the false signal suppression at a later date with existing buildup.

Reference plane

The centre of the antenna lens is the beginning of the measuring range and at the same time the reference plane for the min./max. adjustment, see following diagram:

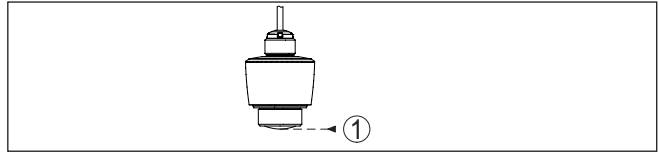


Fig. 6: Reference plane

1 Reference plane

Inflowing medium

Do not mount the instruments in or above the feed stream. Make sure that you detect the medium surface, not the inflowing product.

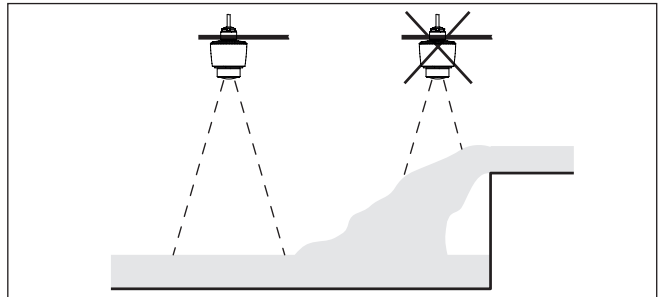


Fig. 7: Mounting of the radar sensor with inflowing medium

Orientation

In liquids, direct the device as perpendicular as possible to the medium surface to achieve optimum measurement results.

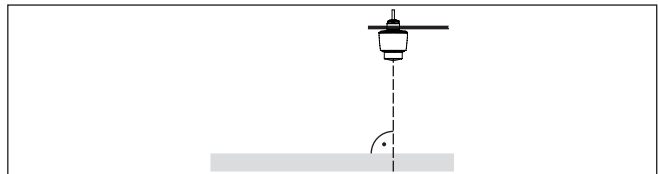


Fig. 8: Alignment in liquids

Foam generation

Through the action of filling, stirring and other processes in the vessel, compact foams which considerably damp the emitted signals may form on the medium surface.



Note:

If foams lead to measurement errors, you should use the biggest possible radar antennas or as an alternative, sensors with guided radar.

4.4 Measurement setups - Gauge

In general, the following must be observed while mounting the device:

- Mounting on solid bracket or mounting bracket
- High or low water for mounting position
- Measurement on water surface as flat as possible in calm area
- Minimum distance to the max. water level

The following examples serve as an overview for gauge measurement.

River level

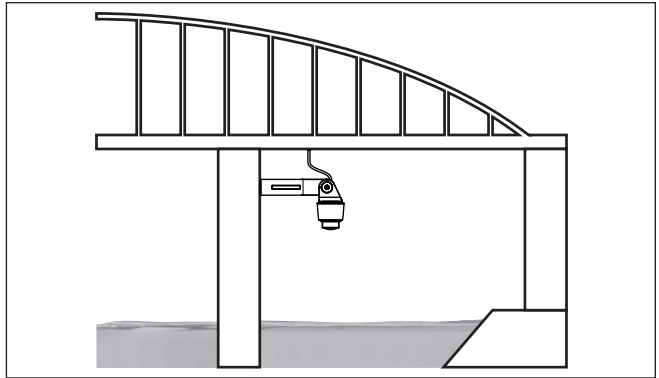


Fig. 9: Gauge measurement river, sensor mounting on bridge pier

Dam gauge

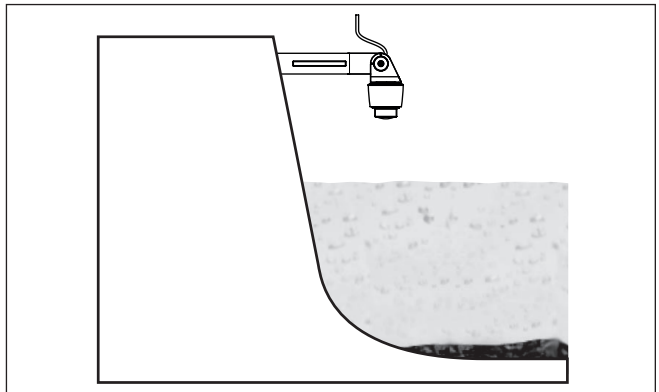


Fig. 10: Gauge measurement dam, sensor mounting on bracket

Deep well level

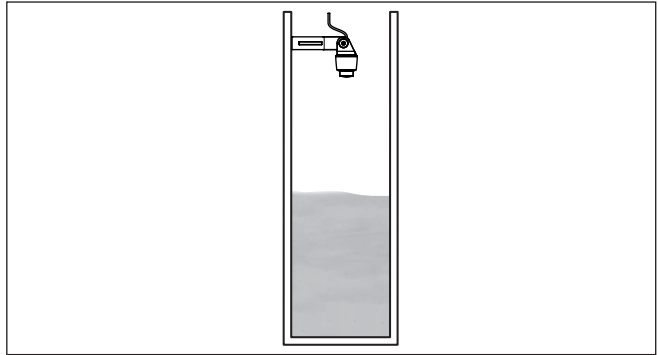


Fig. 11: Gauge measurement deep well, sensor mounting on lid

Mounting

4.5 Measurement setup - Flow

In general, the following must be observed while mounting the device:

- Mounting the sensor on the upstream or inlet side
- Installation in the centre of the flume and vertical to the liquid surface
- Distance to the overfall orifice or Venturi flume
- Distance to the max. height of the orifice or flume for optimum accuracy: > 250 mm (9.843 in)¹⁾
- Requirements from approvals for flow measurement, e.g. MCERTS

Flume

Predefined curves:

A flow measurement with these standard curves is very easy to set up, as no dimensional information of the flume is required.

- Palmer-Bowlus flume ($Q = k \times h^{1.86}$)
- Venturi, trapezoidal weir, rectangular flume ($Q = k \times h^{1.5}$)
- V-Notch, triangular overfall ($Q = k \times h^{2.5}$)

Channel with dimensions according to ISO standard:

When selecting these curves, the dimensions of the flume must be known and entered via the assistant. As a result, the accuracy of the flow measurement is higher than with the specified curves.

- Rectangular flume (ISO 4359)
- Trapezoidal flume (ISO 4359)
- U-shaped flume (ISO 4359)
- Triangular overfall thin-walled (ISO 1438)
- Rectangular flume thin-walled (ISO 1438)
- Rectangular weir broad crown (ISO 3846)

¹⁾ The value given takes into account the block distance. At smaller distances, the measuring accuracy is reduced, see "Technical data".

Flow formula:

If the flow formula of your flume is known, you should select this option, as the accuracy of the flow measurement is highest here.

- Flow formula: $Q = k \times h^{\text{exp}}$

Manufacturer definition:

If you use a Parshall flume from the manufacturer ISCO, this option must be selected. This gives you a high accuracy of flow measurement with easy configuration.

Alternatively, you can also take over Q/h table values provided by the manufacturer here.

- ISCO-Parshall-Flume
- Q/h table (assignment of height with corresponding flow in a table)

**Tip:**

Detailed project planning data can be found at the channel manufacturers and in the technical literature.

The following examples serve as an overview for flow measurement.

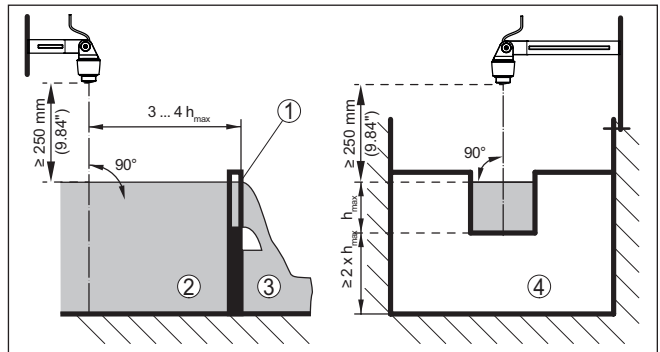
Rectangular overflow

Fig. 12: Flow measurement with rectangular flume: h_{max} = max. filling of the rectangular flume

- 1 Overflow orifice (side view)
- 2 Upstream water
- 3 Tailwater
- 4 Overflow orifice (view from tailwater)

Khafagi-Venturi flume

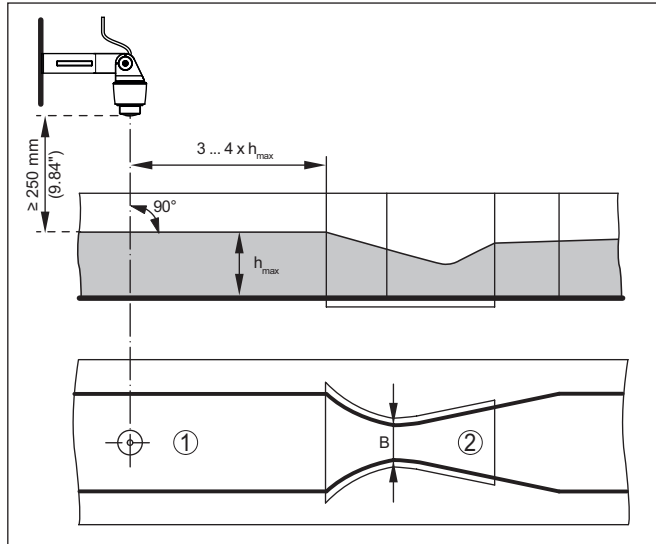


Fig. 13: Flow measurement with Khafagi-Venturi flume: h_{max} = max. filling of the flume; B = tightest constriction in the flume

- 1 Position sensor
- 2 Venturi flume

5 Connecting to power supply

5.1 Preparing the connection

Safety instructions

Always keep in mind the following safety instructions:

- Carry out electrical connection by trained, qualified personnel authorised by the plant operator



Warning:

Only connect or disconnect in de-energized state.

Voltage supply

The device is supplied with power via an SDI-12 datalogger.



Note:

Power the instrument via an energy-limited circuit (power max. 100 W) acc. to IEC 61010-1, e.g.

- Class 2 power supply unit (acc. to UL1310)
- SELV power supply unit (safety extra-low voltage) with suitable internal or external limitation of the output current

The data for power supply are specified in chapter "*Technical data*".

Connection cable

The device is supplied with a fixed connected cable. If an extension is required, a standard three-wire cable can be used.

If electromagnetic interference is expected which is above the test values of EN 61326-1 for industrial areas, shielded cable should be used.

Cable screening and grounding

We recommend to connect the cable screening to ground potential at one end on the supply side when using shielded cable.

Wire assignment, connection cable

5.2 Wiring plan

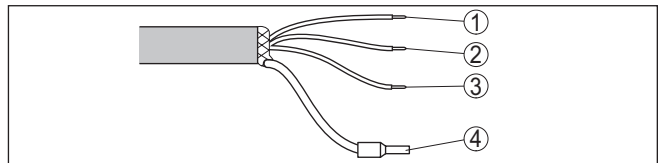


Fig. 14: Wire assignment in permanently connected connection cable

	Wire colour	Function	Polarity
1	Brown	Voltage supply	Plus (+)
2	Blue	Voltage supply	Minus (-)
3	White	SDI Data	Plus (+)
4		Shielding	

5.3 Switch-on phase

After connection to the power supply, the device carries out a self-test.

**Note:**

No SDI-12 commands are answered during this self-test

After the self-test, the standard SDI-12 communication is used.

Transmitted values take settings into account that have already been carried out, e.g. default setting.

6 Access protection

6.1 Bluetooth radio interface

Devices with a Bluetooth radio interface are protected against unwanted access from outside. This means that only authorized persons can receive measured and status values and change device settings via this interface.

Bluetooth access code

A Bluetooth access code is required to establish Bluetooth communication via the adjustment tool (smartphone/tablet/notebook). This code must be entered once when Bluetooth communication is established for the first time in the adjustment tool. It is then stored in the adjustment tool and does not have to be entered again.

The Bluetooth access code is individual for each device. It is printed on the device housing with Bluetooth. In addition, it is supplied with the device in the information sheet "*PINs and Codes*". In addition, the Bluetooth access code can be read out via the display and adjustment unit, depending on the device version.

The Bluetooth access code can be changed by the user after the first connection is established. If the Bluetooth access code is entered incorrectly, the new entry is only possible after a waiting period has elapsed. The waiting time increases with each further incorrect entry.

Emergency Bluetooth unlock code

The emergency Bluetooth access code enables Bluetooth communication to be established in the event that the Bluetooth access code is no longer known. It can't be changed. The emergency Bluetooth access code can be found in information sheet "*Access protection*". If this document is lost, the emergency Bluetooth access code can be retrieved from your personal contact person after legitimation. The storage and transmission of Bluetooth access codes is always encrypted (SHA 256 algorithm).

6.2 Protection of the parameterization

The settings (parameters) of the device can be protected against unwanted changes. The parameter protection is deactivated on delivery, all settings can be made.

Device code

To protect the parameterization, the device can be locked by the user with the aid of a freely selectable device code. The settings (parameters) can then only be read out, but not changed. The device code is also stored in the adjustment tool. However, unlike the Bluetooth access code, it must be re-entered for each unlock. When using the adjustment app or DTM, the stored device code is then suggested to the user for unlocking.

Emergency device code

The emergency device code allows unlocking the device in case the device code is no longer known. It can't be changed. The emergency device code can also be found on the supplied information sheet "*Access protection*". If this document is lost, the emergency device code can be retrieved from your personal contact person after legitimation.

The storage and transmission of the device codes is always encrypted (SHA 256 algorithm).

6.3 Storing the codes in myVEGA

If the user has a "myVEGA" account, then the Bluetooth access code as well as the device code are additionally stored in his account under "*PINs and Codes*". This greatly simplifies the use of additional adjustment tools, as all Bluetooth access and device codes are automatically synchronized when connected to the "myVEGA" account

7 Setup with smartphone/tablet (Bluetooth)

7.1 Preparations

System requirements

Make sure that your smartphone/tablet meets the following system requirements:

- Operating system: iOS 13 or newer
- Operating system: Android 5.1 or newer
- Bluetooth 4.0 LE or newer

Download the VEGA Tools app from the "Apple App Store", "Google Play Store" or "Baidu Store" to your smartphone or tablet.

7.2 Connecting

Connecting

Start the adjustment app and select the function "Setup". The smartphone/tablet searches automatically for Bluetooth-capable instruments in the area.

The message "Connecting ..." is displayed.

The devices found are listed and the search is automatically continued.

Select the requested instrument in the device list.

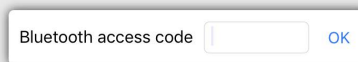
Authenticate

When establishing the connection for the first time, the operating tool and the sensor must authenticate each other. After the first correct authentication, each subsequent connection is made without a new authentication query.

Enter Bluetooth access code

For authentication, enter the 6-digit Bluetooth access code in the next menu window. You can find the code on the outside of the device housing and on the information sheet "Pins and Codes" in the device packaging.

For the very first connection, the adjustment unit and the sensor must authenticate each other.



Enter the 6 digit Bluetooth access code of your Bluetooth instrument.

Fig. 15: Enter Bluetooth access code



Note:

If an incorrect code is entered, the code can only be entered again after a delay time. This time gets longer after each incorrect entry.

The message "Waiting for authentication" is displayed on the smartphone/tablet.

Connected

After connection, the sensor adjustment menu is displayed on the respective adjustment tool.

If the Bluetooth connection is interrupted, e.g. due to a too large distance between the two devices, this is displayed on the adjustment tool. The message disappears when the connection is restored.

Change device code

Parameter adjustment of the device is only possible if the parameter protection is deactivated. When delivered, parameter protection is deactivated by default and can be activated at any time.

It is recommended to enter a personal 6-digit device code. To do this, go to menu "Extended functions", "Access protection", menu item "Protection of the parameter adjustment".

7.3 Parameter adjustment

Enter parameters

The sensor adjustment menu is divided into two areas, which are arranged next to each other or one below the other, depending on the adjustment tool.

- Navigation section
- Menu item display

The selected menu item can be recognized by the colour change.

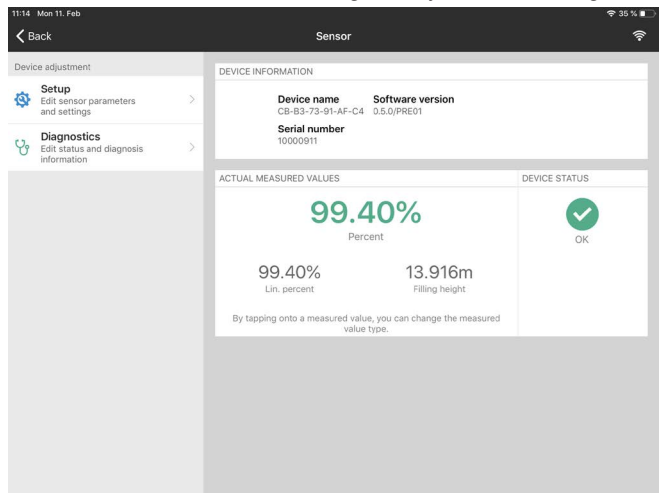


Fig. 16: Example of an app view - Setup measured values

Enter the requested parameters and confirm via the keyboard or the editing field. The settings are then active in the sensor.

Close the app to terminate connection.

8 Setup with PC/notebook (Bluetooth)

8.1 Preparations

System requirements

Make sure that your PC/notebook meets the following system requirements:

- Operating system Windows 10 or newer
- DTM Collection 10/2020 or newer
- Bluetooth 4.0 LE or newer

Activate Bluetooth connection

Activate the Bluetooth connection via the project assistant.



Note:

Older systems do not always have an integrated Bluetooth LE. In these cases, a Bluetooth USB adapter is required. Activate the Bluetooth USB adapter using the Project Wizard.

After activating the integrated Bluetooth or the Bluetooth USB adapter, devices with Bluetooth are found and created in the project tree.

8.2 Connecting

Connecting

Select the requested device for the online parameter adjustment in the project tree.

Authenticate

When establishing the connection for the first time, the operating tool and the device must authenticate each other. After the first correct authentication, each subsequent connection is made without a new authentication query.

Enter Bluetooth access code

For authentication, enter in the next menu window the 6-digit Bluetooth access code:

Fig. 17: Enter Bluetooth access code

You can find the code on the outside of the device housing and on the information sheet "PINs and Codes" in the device packaging.



Note:

If an incorrect code is entered, the code can only be entered again after a delay time. This time gets longer after each incorrect entry.

The message "Waiting for authentication" is displayed on the PC/notebook.

Connected

After connection, the device DTM appears.

If the connection is interrupted, e.g. due to a too large distance between device and adjustment tool, this is displayed on the adjustment tool. The message disappears when the connection is restored.

Change device code

Parameter adjustment of the device is only possible if the parameter protection is deactivated. When delivered, parameter protection is deactivated by default and can be activated at any time.

It is recommended to enter a personal 6-digit device code. To do this, go to menu "Extended functions", "Access protection", menu item "Protection of the parameter adjustment".

Prerequisites

8.3 Parameter adjustment

For parameter adjustment of the instrument via a Windows PC, the configuration software PACTware and a suitable instrument driver (DTM) according to FDT standard are required. The latest PACTware version as well as all available DTMs are compiled in a DTM Collection. The DTMs can also be integrated into other frame applications according to FDT standard.

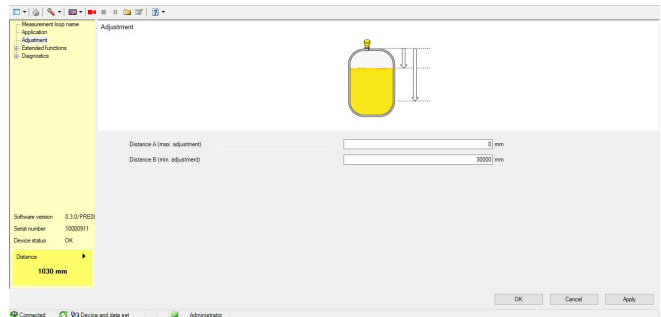


Fig. 18: Example of a DTM view - Setup, sensor adjustment

9 Adjustment menu

9.1 Menu overview

Start image

Device information	Actual measured values	Device status
Device name, software version, serial number	Percent, filling height, distance, measurement reliability, electronics temperature, meas. rate etc.	OK, error indication

Basic functions

Menu item	Selection	Basic settings
Measurement loop name	Alphanumeric characters	Sensor
Application - Medium type	Liquid	Liquid
Application liquid	Gauge measurement in water bodies, demonstration	Gauge measurement in waters
Units	Distance unit of the device Temperature unit of the instrument	Distance in m Temperature in °C
Adjustment (stage)	Stage	Level; must be entered manually
	Set Stage	Accepts the level entered in "Stage"

Extended functions

Menu item	Selection	Basic settings
Damping	Integration time	0 s
SDI-12	Continuous measurement mode Low-power standby mode	Continuous measurement mode
Access protection	Bluetooth access code	-
	Protection of the parameterization	Deactivated
False signal suppression	Create new, extend, delete, manual entry	-
	Sounded distance to the medium	0 m
Interference behaviour	Last valid measured value	Last valid measured value
	Fault message	
	Maintenance message	
	Time until fault signal	15 s
Reset	Delivery status, basic settings	-

Menu item	Selection	Basic settings
Mode	Mode 1: EU, Albania, Andorra, Azerbaijan, Australia, Belarus, Bosnia and Herzegovina, Canada, Liechtenstein, Moldavia, Monaco, Montenegro, Morocco, New Zealand, Northern Macedonia, Norway, San Marino, Saudi Arabia, Serbia, South-Africa, Switzerland, Turkey, Ukraine, United Kingdom, USA Mode of operation 2: Brazil, Japan, South Korea, Taiwan, Thailand Mode of operation 3: India, Malaysia Mode of operation 4: Russia, Kazakhstan	Mode 1
Status signals	Function check Maintenance required Out of specification	On Off Off

Diagnostics

Menu item	Selection	Basic settings
Status	Device status Parameter modification counter Measured value status Status output Status additional measured values	-
Echo curve	Indication of echo curve	-
Peak indicator	Peak indicator distance, measurement reliability, meas. rate, electronic temperature	-
Measured values	Measured values Additional measured values Outputs	-
Sensor information	Device name, serial number, hardware/software version, device revision, factory calibration date	-
Sensor characteristics	Sensor features from order text	-
Simulation	Measured value Simulation value	-
Measured value memory (DTM)	Indication measured value memory from DTM	

9.2 Adjustment (stage)

Adjustment

Since the radar sensor is a distance measuring instrument, it is the distance from the sensor to the water surface that is measured. To indicate the actual gauge/level, an adjustment must be made.

To make this adjustment, the current gauge of the water body is entered in the menu item "Adjustment (stage)" and confirmed with the "Set Stage" button.

10 Diagnostics and servicing

10.1 Maintenance

Maintenance

If the device is used properly, no special maintenance is required in normal operation.

Precaution measures against buildup

In some applications, buildup on the antenna system can influence the measuring result. Depending on the sensor and application, take measures to avoid heavy soiling of the antenna system. If necessary, clean the antenna system in certain intervals.

Cleaning

The cleaning helps that the type label and markings on the instrument are visible.

Take note of the following:

- Use only cleaning agents which do not corrode the housings, type label and seals
- Use only cleaning methods corresponding to the housing protection rating

10.2 Rectify faults

Reaction when malfunction occurs

The operator of the system is responsible for taking suitable measures to rectify faults.

Causes of malfunction

The device offers maximum reliability. Nevertheless, faults can occur during operation. These may be caused by the following, e.g.:

- Sensor
- Process
- Voltage supply
- Signal processing

Fault rectification

The first measures are:

- Evaluation of fault messages
- Checking the output signal
- Treatment of measurement errors

A smartphone/tablet with the adjustment app or a PC/notebook with the software PACTware and the suitable DTM offer you further comprehensive diagnostic possibilities. In many cases, the causes can be determined in this way and the faults eliminated.

Reaction after fault rectification

Depending on the reason for the fault and the measures taken, the steps described in chapter "Setup" must be carried out again or must be checked for plausibility and completeness.

24 hour service hotline

Should these measures not be successful, please call in urgent cases the VEGA service hotline under the phone no. **+49 1805 858550**.

The hotline is also available outside normal working hours, seven days a week around the clock.

Since we offer this service worldwide, the support is provided in English. The service itself is free of charge, the only costs involved are the normal call charges.

10.3 Status messages according to NE 107

The instrument features self-monitoring and diagnostics according to NE 107 and VDI/VDE 2650. In addition to the status messages in the following tables there are more detailed error messages available under the menu item "Diagnostics" via the respective adjustment module.

Status messages

The status messages are divided into the following categories:

- Failure
- Function check
- Out of specification
- Maintenance required

and explained by pictographs:

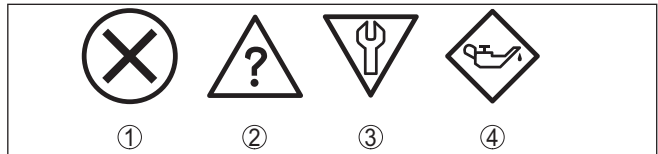


Fig. 19: Pictographs of the status messages

- 1 Failure - red
- 2 Out of specification - yellow
- 3 Function check - orange
- 4 Maintenance required - blue

Malfunction (Failure):

Due to a malfunction in the instrument, a fault signal is output.

This status message is always active. It cannot be deactivated by the user.

Function check:

The instrument is being worked on, the measured value is temporarily invalid (for example during simulation).

This status message is inactive by default.

Out of specification:

The measured value is unreliable because an instrument specification was exceeded (e.g. electronics temperature).

This status message is inactive by default.

Maintenance required:

Due to external influences, the instrument function is limited. The measurement is affected, but the measured value is still valid. Plan in maintenance for the instrument because a failure is expected in the near future (e.g. due to buildup).

This status message is inactive by default.

Failure

Code Text message	Cause	Rectification
F013 no measured value available	No measured value in the switch-on phase or during operation Sensor tilted	Check or correct installation and/or parameter settings Clean the antenna system
F017 Adjustment span too small	Adjustment not within specification	Change adjustment according to the limit values (difference between min. and max. ≥ 10 mm)
F025 Error in the linearization table	Index markers are not continuously rising, for example illogical value pairs	Check linearization table Delete table/Create new
F036 No operable software	Checksum error if software update failed or aborted	Repeat software update Send instrument for repair
F040 Error in the electronics	Limit value exceeded in signal processing Hardware error	Restart instrument Send instrument for repair
F080 General software error	General software error	Restart instrument
F105 Determine measured value	The instrument is still in the switch-on phase, the measured value could not yet be determined	Wait for the end of the switch-on phase Duration up to 3 minutes depending on the measurement environment and parameter settings
F260 Error in the calibration	Checksum error in the calibration values Error in the EEPROM	Send instrument for repair
F261 Error in the instrument settings	Error during setup False signal suppression faulty Error when carrying out a reset	Repeat setup Carry out a reset
F265 Measurement function disturbed	Program sequence of the measuring function disturbed	Device restarts automatically

Function check

Code Text message	Cause	Rectification
C700 Simulation active	A simulation is active	Finish simulation Wait for the automatic end after 60 mins.

Out of specification

Code Text message	Cause	Rectification
S600 Impermissible electronics temperature	Temperature of the electronics in the non-specified range	Check ambient temperature Insulate electronics

Code Text message	Cause	Rectification
S601 Overfilling	Danger of vessel overfilling	Make sure that there is no further filling Check level in the vessel
S603 Impermissible operating voltage	Terminal voltage too small	Check terminal voltage, increase operating voltage

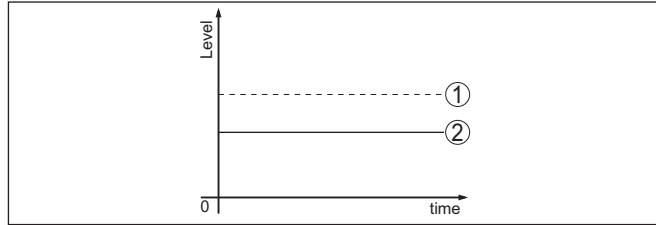
Maintenance

Code Text message	Cause	Rectification
M500 Error in the delivery status	The data could not be restored during the reset to delivery status	Repeat reset Load XML file with sensor data into the sensor
M501 Error in the delivery status	Hardware error EEPROM	Send instrument for repair
M507 Error in the instrument settings	Error during setup Error when carrying out a reset False signal suppression faulty	Carry out reset and repeat setup
M508 No executable Bluetooth software	Checksum error in Bluetooth software	Carry out software update
M509 Software update running	Software update running	Wait until software update is finished
M510 No communication with the main controller	Communication between main electronics and display module disturbed	Check the connection cable to the display Send instrument for repair
M511 Inconsistent software configuration	A software unit requires a software update	Carry out software update

10.4 Treatment of measurement errors

The tables below give typical examples of application-related measurement errors.

The images in column "*Error description*" show the actual level as a dashed line and the output level as a solid line.



- 1 Real level
- 2 Level displayed by the sensor



Note:

If the output level is constant, the cause could also be the fault setting of the current output to "Hold value".

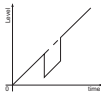
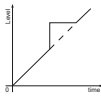
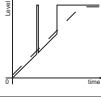
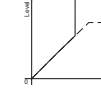
If the level is too low, the reason could be a line resistance that is too high

Liquids: Measurement error at constant level


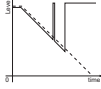
Fault description	Cause	Rectification
Measured value shows a too low or too high level 	Min./max. adjustment not correct	Adapt min./max. adjustment
	Incorrect linearization curve	Adapt linearization curve
Measured value jumps towards 100 % 	Due to the process, the amplitude of the level echo sinks A false signal suppression was not carried out	Carry out a false signal suppression
	Amplitude or position of a false signal has changed (e.g. condensation, build-up); false signal suppression no longer matches actual conditions	Determine the reason for the changed false signals, carry out false signal suppression, e.g. with condensation.

Liquids: Measurement error during filling

Fault description	Cause	Rectification
Measured value remains unchanged during filling 	False signals in the close range too big or level echo too small Strong foam or vortex generation Max. adjustment not correct	Eliminate false signals in the close range Check measuring point: Antenna should protrude out of the threaded mounting socket, possible false echoes through flange socket? Remove contamination on the antenna In case of interferences due to installations in the close range, change polarisation direction Create a new false signal suppression Adapt max. adjustment

Fault description	Cause	Rectification
Measured value jumps towards 0 % during filling 	The level echo cannot be distinguished from the false signal at a false signal position (jumps to multiple echo)	In case of interferences due to installations in the close range: Change polarisation direction Chose a more suitable installation position
Measured value jumps towards 100 % during filling 	Due to strong turbulence and foam generation during filling, the amplitude of the level echo sinks. Measured value jumps to false signal	Carry out a false signal suppression
Measured value jumps sporadically to 100 % during filling 	Varying condensation or contamination on the antenna	Carry out a false signal suppression or increase false signal suppression with condensation/contamination in the close range by editing
Measured value jumps to $\geq 100\%$ or 0 m distance 	Level echo is no longer detected in the close range due to foam generation or false signals in the close range. The sensor goes into overflow protection mode. The max. level (0 m distance) as well as the status message "Overflow protection" are output.	Check measuring point: Antenna should protrude out of the threaded mounting socket, possible false echoes through flange socket? Remove contamination on the antenna

Liquids: Measurement error during emptying

Fault description	Cause	Rectification
Measured value remains unchanged in the close range during emptying 	False signal larger than the level echo Level echo too small	Check measuring point: Antenna should protrude out of the threaded mounting socket, possible false echoes through flange socket? Remove contamination on the antenna In case of interferences due to installations in the close range: Change polarisation direction After eliminating the false signals, the false signal suppression must be deleted. Carry out a new false signal suppression
Measured value jumps sporadically towards 100 % during emptying 	Varying condensation or contamination on the antenna	Carry out false signal suppression or increase false signal suppression in the close range by editing With bulk solids, use radar sensor with purging air connection

10.5 Software update

The device software is updated via Bluetooth.

The following components are required:

- Instrument
- Voltage supply
- PC/notebook with PACTware/DTM and Bluetooth USB adapter
- Current instrument software as file

You can find the current instrument software as well as detailed information on the procedure in the download area of our homepage: www.vega.com.



Caution:

Instruments with approvals can be bound to certain software versions. Therefore make sure that the approval is still effective after a software update is carried out.

You can find detailed information in the download area at www.vega.com.

10.6 How to proceed if a repair is necessary

On our homepage you will find detailed information on how to proceed in the event of a repair.

So that we can carry out the repair quickly and without queries, generate a instrument return form there with the data of your device.

The following is required:

- The serial number of the instrument
- A short description of the fault
- Details of the medium, if applicable

Print the generated instrument return form.

Clean the instrument and pack it damage-proof.

Send the printed instrument return form and possibly a safety data sheet together with the device.

You will find the address for the return on the generated instrument return form.

11 Dismount

11.1 Dismounting steps

To remove the device, carry out the steps in chapters "*Mounting*" and "*Connecting to power supply*" in reverse.



Warning:

When dismantling, pay attention to the process conditions in vessels or pipelines. There is a risk of injury, e.g. due to high pressures or temperatures as well as aggressive or toxic media. Avoid this by taking appropriate protective measures.

11.2 Disposal



Pass the instrument on to a specialised recycling company and do not use the municipal collecting points.

Remove any batteries in advance, if they can be removed from the device, and dispose of them separately.

If personal data is stored on the old device to be disposed of, delete it before disposal.

If you have no way to dispose of the old instrument properly, please contact us concerning return and disposal.

12 Certificates and approvals

12.1 Radio licenses

Radar

The device has been tested and approved in accordance with the current edition of the applicable country-specific norms or standards.

Regulations for use can be found in the document "*Regulations for radar level measuring instruments with radio licenses*" on our homepage.

Bluetooth

The Bluetooth radio module in the device has been tested and approved according to the current edition of the applicable country-specific norms or standards.

The confirmations as well as regulations for use can be found in the document "*Radio licenses*" supplied or on our homepage.

12.2 Approvals for Ex areas

Approved versions for use in hazardous areas are available or in preparation for the device or the device series.

You can find the relevant documents on our homepage.

12.3 Approvals as overfill protection

Approved versions for use as part of an overfill protection system are available or in preparation for the device or the device series.

The corresponding approvals can be found on our homepage.

12.4 Food and pharmaceutical certificates

Versions for use in the food and pharmaceutical industries are available or in preparation for the device or the device series.

The corresponding certificates can be found on our homepage.

12.5 Conformity

The device complies with the legal requirements of the applicable country-specific directives or technical regulations. We confirm conformity with the corresponding labelling.

The corresponding conformity declarations can be found on our homepage.

12.6 NAMUR recommendations

NAMUR is the automation technology user association in the process industry in Germany. The published NAMUR recommendations are accepted as the standard in field instrumentation.

The device fulfils the requirements of the following NAMUR recommendations:

- NE 21 – Electromagnetic compatibility of equipment

- NE 43 – Signal level for fault information from measuring transducers
- NE 53 – Compatibility of field devices and display/adjustment components
- NE 107 – Self-monitoring and diagnosis of field devices

For further information see www.namur.de.

12.7 Environment management system

Protection of the environment is one of our most important duties. That is why we have introduced an environment management system with the goal of continuously improving company environmental protection. The environment management system is certified according to DIN EN ISO 14001.

Help us to meet these requirements and observe the environmental instructions in the chapters "*Packaging, transport and storage*", "*Disposal*" of this instructions manual.

13 Supplement

13.1 Technical data

Note for approved instruments

The technical data in the respective safety instructions which are included in delivery are valid for approved instruments (e.g. with Ex approval). These data can differ from the data listed herein, for example regarding the process conditions or the voltage supply.

All approval documents can be downloaded from our homepage.

Materials and weights

Materials, wetted parts

– Antenna, process fitting	PVDF
– Counter nut ²⁾	PP
– Process seal ³⁾	FKM, EPDM

Materials, non-wetted parts

– Housing	PVDF
– Cable entry seal	FKM
– Connection cable	PUR

Weight

– Instrument	0.7 kg (1.543 lbs)
– Connection cable	0.1 kg/m

Process fitting Thread G1½, R1½, 1½ NPT

Mounting connection Thread G1, R1, 1 NPT

Torques

Torque counter nut max.	7 Nm (5.163 lbf ft)
-------------------------	---------------------

Input variable

Measured variable	The measured variable is the distance between the antenna edge of the sensor and the medium surface. The antenna edge is also the reference plane for the measurement.
-------------------	--

²⁾ G type threaded connections only

³⁾ G type threaded connections only, EPDM for devices with food/pharmaceutical certification

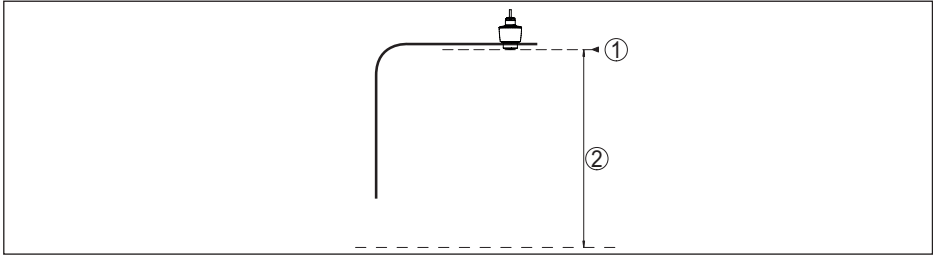


Fig. 20: Data of the input variable

- 1 Reference plane
- 2 Measured variable, max. measuring range

Max. measuring range ⁴⁾	20 m (65.62 ft)
Recommended measuring range ⁵⁾	up to 10 m (32.81 ft)
Min. dielectric constant of the medium ⁶⁾	$\epsilon_r \geq 1.6$
blocking distance ⁷⁾	
– Modes 1, 2, 4	0 mm (0 in)
– Mode 3	≥ 250 mm (9.843 in)

Switch-on phase

Start-up time with operating voltage U_b < 10 s

Output variable

Output signal	SDI-12 (only digital)
Transmission rate	1200 bit/s
Resolution, digital	1 mm (0.039 in)
Data signal	
– Logical 1	0 V
– Logical 0	5 V
Protocol	SDI-12: 7 data bits, 1 stop bit, even parity
Output voltage	
– Minimum logical 0	3.5 V
– Maximum logical 1	0.8 V

Deviation (according to DIN EN 60770-1)

Process reference conditions according to DIN EN 61298-1

- Temperature +18 ... +30 °C (+64 ... +86 °F)

⁴⁾ Depending on application, medium as well as specifications by metrological approvals
⁵⁾ With bulk solids
⁶⁾ Depending on application and medium
⁷⁾ Depending on the operating conditions

- Relative humidity	45 ... 75 %
- Air pressure	860 ... 1060 mbar/86 ... 106 kPa (12.5 ... 15.4 psig)

Installation reference conditions

- Distance to installations	> 200 mm (7.874 in)
- Reflector	Flat plate reflector
- False reflections	Biggest false signal, 20 dB smaller than the useful signal

Deviation with liquids

≤ 2 mm (meas. distance > 0.25 m/0.8202 ft)

Non-repeatability⁸⁾

≤ 2 mm

Deviation with bulk solids

The values depend to a great extent on the application. Binding specifications are thus not possible.

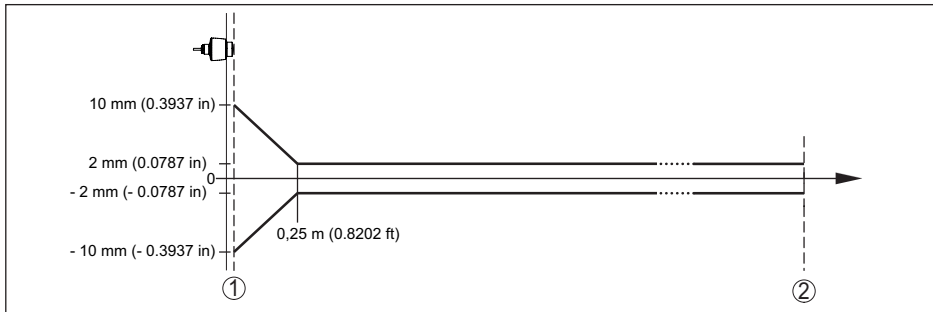


Fig. 21: Deviation under reference conditions⁹⁾

1 Antenna edge, reference plane

2 Recommended measuring range

Variables influencing measurement accuracy

Temperature drift - Digital output < 3 mm/10 K, max. 5 mm

Additional deviation through electromagnetic interference acc. to EN 61326 < 50 mm

Characteristics and performance data

Measuring frequency W-band (80 GHz technology)

Measuring cycle time ≤ 250 ms

Step response time¹⁰⁾ ≤ 3 s

Beam angle¹¹⁾ 8°

⁸⁾ Already included in the meas. deviation

⁹⁾ In case of deviations from reference conditions, the offset due to installation can be up to ± 4 mm. This offset can be compensated by the adjustment.

¹⁰⁾ Time span after a sudden distance change from 1 m to 5 m until the output signal reaches 90 % of the final value for the first time (IEC 61298-2). Valid with operating voltage $U_B \geq 24$ V DC.

¹¹⁾ Outside the specified beam angle, the energy level of the radar signal is 50% (-3 dB) less.

Emitted HF power (depending on the parameter setting)¹²⁾

- Average spectral transmission power density -3 dBm/MHz EIRP
- Max. spectral transmission power density +34 dBm/50 MHz EIRP
- Max. power density at a distance of 1 m < 3 μW/cm²

Ambient conditions

Ambient temperature	-40 ... +80 °C (-40 ... +176 °F)
Storage and transport temperature	-40 ... +80 °C (-40 ... +176 °F)

Mechanical environmental conditions

Vibrations (oscillations)	Class 4M8 acc. to IEC 60721-3-4 (5 g, 4 ... 200 Hz)
Impacts (mechanical shock)	Class 6M4 acc. to IEC 60721-3-6 (50 g; 2.3 ms)
Impact resistance	IK07 acc. to IEC 62262

Process conditions

For the process conditions, please also note the specifications on the type label. The lowest value (amount) always applies.

Process temperature	-40 ... +80 °C (-40 ... +176 °F)
Process pressure	-1 ... 3 bar (-100 ... 300 kPa/-14.5 ... 43.51 psig)

Electromechanical data

Cable entry	Fixed connection
Connection cable	
- Configuration	Wires, screen braiding, sheathing
- Wire cross-section	0.5 mm ² (AWG 20)
- Min. bending radius (at 25 °C/77 °F)	25 mm (0.984 in)
- Diameter	approx. 6 mm (0.236 in)
- Wire isolating and cable cover	PUR (UV resistant)
- Colour	Black
- Flame retardant according to	IEC 60332-1-2, UL 1581 (Flametest VW-1)

Bluetooth interface

Bluetooth standard	Bluetooth 5.0
Frequency	2.402 ... 2.480 GHz
Max. emitted power	+2.2 dBm
Max. number of participants	1
Effective range	typically 25 m (82 ft) ¹³⁾

¹²⁾ EIRP: Equivalent Isotropic Radiated Power

¹³⁾ Depending on the local conditions

Adjustment

PC/Notebook	PACTware/DTM
Smartphone/Tablet	Adjustment app

Voltage supply

Operating voltage U_B	8 ... 30 V DC
Max. power consumption	200 mW
Power consumption max. $U_B < 18$ V	
– Low-Power-Mode	25 mW
– Standard Mode	100 mW
Reverse voltage protection	Integrated
Permissible residual ripple	
– for 12 V $< U_B < 18$ V	$\leq 0.7 V_{\text{eff}}$ (16 ... 400 Hz)
– for 18 V $< U_B < 35$ V	$\leq 1 V_{\text{eff}}$ (16 ... 400 Hz)

Overvoltage protection

Dielectric strength against metallic mounting parts	> 10 kV
Overvoltage resistance (test impulse voltages 1.2/50 μ s at 42 Ω)	> 1000 V
Additional overvoltage arrester	Due to the floating structure of the electronics and comprehensive insulation measures generally not necessary.

Electrical protective measures

Potential separation	Electronics potential free up to 500 V AC
Protection rating	IP66/IP68 (3 bar, 24 h) acc. to IEC 60529, Type 6P acc. to UL 50
Altitude above sea level	5000 m (16404 ft)
Protection class	III
Pollution degree	4

13.2 SDI-12 - Overview

SDI-12 (Serial Digital Interface at 1200 Baud) is an asynchronous, serial data transmission protocol. It is used especially for communication between sensors and data loggers for the collection and processing of environmental data.

In the following, the necessary device-specific details are shown. You can find further information of SDI-12 on www.sdi-12.org.

13.3 Basic Commands

Command	Response	Description
Break	-	A data recorder starts a request by transmitting a break
a!	a<CR><LF>	Acknowledge Active

Command	Response	Description
all!	aiicccccccmmmmmmvvxxx... xx<CR><LF>	Send Identification: SDI12-compatibility number, Company Name, Sensor model number, Sensor version, Series number
aAb!	b<CR><LF>	Change Address
?!	b<CR><LF>	Address Query
aM!	atttn<CR><LF>	Start Measurement
aMC!	atttn<CR><LF>	Start Measurement and Request CRC
aM1! ... aM9!	atttn<CR><LF>	Additional Measurements
aMC1! ... aMC9!	atttn<CR><LF>	Additional Measurements and Request CRC
aC!	atttn<CR><LF>	Start Concurrent Measurement
aCC!	atttn<CR><LF>	Start Concurrent Measurement and Request CRC
aC1! ... aC9!	atttn<CR><LF>	Additional Concurrent Measurements
aCC1! ... aCC9!	atttn<CR><LF>	Additional Concurrent Measurements and Request CRC
aR0! ... aR9!	a<values><CR><LF>	Continuous Measurements
aRC0! ... aRC9!	a<values><CRC><CR><LF>	Continuous Measurements and Request CRC
aD0! ... aD9!	a<values><CR><LF> or a<values><CRC><CR><LF>	Send Data (M*, C*, V)
aV!	attn<CR><LF>	Start Verification

Send Identification

Example: Address = 2, Sensor = PULSC 21, device revision = 1 and serial number = 43210123
214VEGA__PSC 2100143210123

Initial Command	Response
all!	aiicccccccmmmmmmvvxxx ... xxx<CR><LF> a: sensor address ii:SDI-12 version number (14) ccccccc: 8 char for vendor identification (VEGA) vvv: 3 char for sensor version (001) xxxxxxx: 8 characters for. serial number (Ser-Nr)
	Example a2VEGAAbbbbPSC 2100143210123<CR><LF>

Start Measurement and Send Data

Command	Response	Description
aM!	attn<CR><LF> a<CR><LF>	Start measurement a: sensor address t: the time in seconds, until the sensor will have the measurement ready n: the number of measurement values the sensor will make and return a<CR><LF>: service request
aD0!	a<value1><value2><value3><value4><value5><CR><LF>	Send data (after aM!) a: sensor address <value1>: stage value:pss.sss <value2>: distance value pdd.ddd <value3>: electronics temperature pttt.t <value4>: Measurement reliability prrr.r <value5>: Device status eee <CR><LF>

Measurement data and Format:

- Stage value¹⁴⁾
 - +ss.sss (m)
 - +ss.sss (ft)
 - +ssss.s (mm)
 - +sss.ss (in)
- Distance
 - +dd.ddd (m)
 - +dd.ddd (ft)
 - +ddd.d (mm)
 - +ddd.dd (in)
- Electronics temperature
 - ttt.t (°C, °F, K)
- Measurement reliability
 - rrr.r (dB)
- Device status
 - eee (Error code)

Example

Address = 0, Stage = 29,272m, Distance = 0,728m, Temperature = 25,4°C, reliability = 14,0 dB, Device Status = Good

Response : 0+29.272+0.728+25.4+14.0+0<CR><LF>

Address = 4, Stage = 14,887m, Distance = 0,113m, Temperature = 22,7°C, reliability = 14,0dB, Device Status = M507 (Error in the device setting)

Response : 4+14.887+0.113+22.7+14.0+507<CR><LF>

¹⁴⁾ The Stage Value outputs the level/gauge above the Stage Reference

13.4 Extended Commands

Command	Response	Description
aXRPOM!	a<value1><value2><CR><LF>	Read Power Operation Mode
aXWPOM<value1>!	a<value1><value2><CR><LF>	Write Power Operation Mode
aXRDU!	a<value1><CR><LF>	Read distance unit
aXWDU<value1>!	a<value1><value2><CR><LF>	Write distance unit
aXRTU!	a<value1><CR><LF>	Read temperature unit
aXWTU<value1>!	a<value1><CR><LF>	Write temperature unit
aXRSR!	a<value1><value2><CR><LF>	Read stage reference
aXWSR<value1>!	a<value1><value2><CR><LF>	Write stage reference
aXRAPUR!	a<value1><value2><CR><LF>	Read access protection unlock result
aXRPS!	a<value1><value2><value3><value4><CR><LF>	Read parametrization state
aXRAPAM!	a<value1><CR><LF>	Read access protection active mode
aXWAPPUL<value1>!	a<value1><CR><LF>	Write access protection parametrization lock
aXWAPPL<value1>!	a<value1><CR><LF>	Write access protection parametrization unlock
aXWAPEC<value1>!	a<value1><CR><LF>	Write access protection unlock with emergency code

Read Power Operation Mode

Command	Response	Description
aXRPOM!	a<value1><value2> <CR><lf>	a: sensor address <value1>: power operation mode, +0 = low power mode, +1 = normal power mode <CR><LF>

Example:

Command	Response	Description
0XRPOM!	0+0<CR><LF>	

Write Power Operation Mode

Command	Response	Description
aXWPOM <value1>!	a<value1><value2> <CR><LF>	a: sensor address <value1>: power operation mode, +0 = low power mode, +1 = normal power model <value2>: VVO-Status eee <CR><LF>

Read distance unit

Command	Response	Description
aXRDU!	a<value1><CR><LF>	a: sensor address <value1>: distance unit +0 = unit in [m], +1 = unit in [ft], +2 = unit in [mm], +3 = unit in [in] <CR><LF>

Write distance unit

Command	Response	Description
aXWDU<value1>!	a<value1><value2> <CR><LF>	a: sensor address <value1>: distance unit +0 = unit in [m], +1 = unit in [ft], +2 = unit in [mm], +3 = unit in [in] <value2>: VVO-Status +eee <CR><LF>

Example:

Command	Response	Description
0XWDU+0!	0+0+000<CR><LF>	Valid data
0XWDU+4!	0+0+136<CR><LF>	No valid data Current value is returned with a status 136

Read temperature unit

Command	Response	Description
aXRTU!	a<value1><CR><LF>	a: sensor address <value1>: temperature unit +0 = unit in [°C], +1 = unit in [F], +2 = unit in [K] <CR><LF>

Example:

Command	Response	Description
aXRTU!	0+0<CR><LF>	

Write temperature unit

Command	Response	Description
aXWTU<value1>!	a<value1><value2> <CR><LF>	a: sensor address <value1>: temperature unit +0 = unit in [°C], +1 = unit in [F], +2 = unit in [K] <value2>: VVO-Status +eee <CR><LF>

Example:

Command	Response	Description
0XWTU+0!	0+0+000<CR><LF>	Valid data
0XWDU+4!	0+0+136<CR><LF>	No valid data Current value is returned with a status 136

Read stage reference

Command	Response	Description
aXRSR!	a<value1><CR><LF>	a: sensor address <value1>: stage reference +ss.sss [m], +ss.sss [ft], +dddd [mm], sss.ss [in] <CR><LF>

Example:

Command	Response	Description
aXRSR!	0+11.000<CR><LF>	

Write stage reference

Command	Response	Description
aXWSR <value1>!	a<value1><value2> <CR><LF>	a: sensor address <value1>: stage reference +ss.sss [m], +ss.sss [ft], +dddd [mm], sss.ss [in] <value2>: VVO-Status eee <CR><LF>

Example:

Command	Response	Description
aXRSR+10.100!	0+10.100+000<CR><LF>	Valid data
aXRSR+100!	0+10.100+134<CR><LF>	No valid data is written

Read access protection unlock result

Command	Response	Description
aXRAPUR!	a<value1><value2> <CR><LF>	a: sensor address <value1>: result, +0 = success, +1 = failed, +2 = sequence error <value2>: reason, +0 = without, +1 = wrong access code, +2 = <CR><LF>

Example:

Command	Response	Description
aXRAPUR!	0+0+0<CR><LF>	

Read parameterization state

Command	Response	Description
aXRPS!	a<value1><value2><value3><CR><LF>	a: sensor address <value1>: state, +0 = parametrization, +1 = locked <value2>: connection state <value3>: busid <CR><LF>

Example:

Command	Response	Description
aXRPS!	0+0+0<CR><LF>	

Read access protection active mode

Command	Response	Description
aXRAPAM!	a<value> <CR><LF>	a: sensor address <value>: mode, +0 = none, +1 = device code (active) <CR><LF>

Example:

Command	Response	Description
aXRAPAM!	0+1<CR><LF>	

Write access protection parameterization unlock

Command	Response	Description
aXWAPPUL <value1>!	a<value1><CR><LF>	a: sensor address <value1>: 6 numbers (device unlock code) <CR><LF>

Example:

Command	Response	Description
aXWAPPUL +123456!	0+000<CR><LF>	

Write access protection parameterization lock

Command	Response	Description
aXWAPPL!	a<value><CR><LF>	a: sensor address <value>: VVO-Status +eee <CR><LF>

Example:

Command	Response	Description
aXWAPPL!	0+000<CR><LF>	

Write access protection unlock with emergency code

Command	Response	Description
aXWAPEC <value1>!	a<value1><CR><LF>	a: sensor address <value1>: 10 numbers (device emergency unlock code) <CR><LF> <value1>: VVO-Status

Example:

Command	Response	Description
0XWAPEC +0123456789!	0+000<CR><LF>	

13.5 Device-Status¹⁵⁾

Failure

Code	DesCRiption
F013	No measured value available
F017	Adjusted span too small
F025	Error in the linearization table
F036	No executable software
F040	Error in the electronics
F080	General software error
F105	Measured value is determined
F260	Error in the calibration
F261	Error in the device setting
F264	Installation/setup error
F265	Measurement function

¹⁵⁾ Value 4 with aD0!, aR0!, aRC0!, value 2 with aD0! behind aV!

Maintenance

Code	Description
M500	Error in the delivery status
M501	Error in the non-active linearization table
M504	Error on an device interface
M505	No measured value available
M507	Error in the device setting
M508	Non executable Bluetooth software
M509	Software update running
M510	No communication with the main controller
M511	Inconsistent software configuration

Out of spec

Code	Description
S600	Impermissible electronics temperature
S601	Overfilling
S603	Impermissible power supply

Function check

Code	Description
C700	Simulation active

13.6 VVO-Status¹⁶⁾

Code	Description
0	NO_ERROR
128	EXECUTION_ERROR
129	ACTION_NOT_IMPLEMENTED
132	INVALID_SELECTION
133	INVALID_DATA_LENGTH
134	VALUE_TOO_LARGE
134	VALUE_TOO_SMALL
136	INVALID_DATA
138	TELEGRAM_TOO_LARGE
142	DATA_NOT_AVAILABLE

¹⁶⁾ Value 2 with aXWPOM<value>!, aXWDU<value1>!, aXWTU<value>!, aXWSR<value1>!, value 1 with aX-WAPPL!, aXWAPEC<value>!

Code	Description
143	DEVICE_BUSY
144	WRITE_PROTECTED
149	READ_ONLY
150	NOT_AUTHENTICATED

13.7 Dimensions

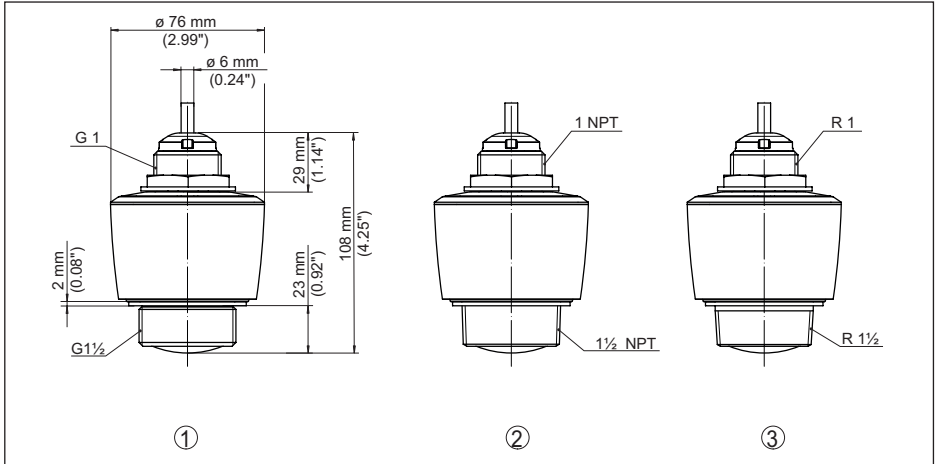


Fig. 22: Dimensions VEGAPULS C 21

- 1 Thread G1
- 2 Thread 1 1/2 NPT
- 3 Thread R1 1/2

13.8 Industrial property rights

VEGA product lines are global protected by industrial property rights. Further information see www.vega.com.

VEGA Produktfamilien sind weltweit geschützt durch gewerbliche Schutzrechte.

Nähere Informationen unter www.vega.com.

Les lignes de produits VEGA sont globalement protégées par des droits de propriété intellectuelle. Pour plus d'informations, on pourra se référer au site www.vega.com.

VEGA líneas de productos están protegidas por los derechos en el campo de la propiedad industrial. Para mayor información revise la pagina web www.vega.com.

Линии продукции фирмы ВЕГА защищаются по всему миру правами на интеллектуальную собственность. Дальнейшую информацию смотрите на сайте www.vega.com.

VEGA系列产品在全球享有知识产权保护。

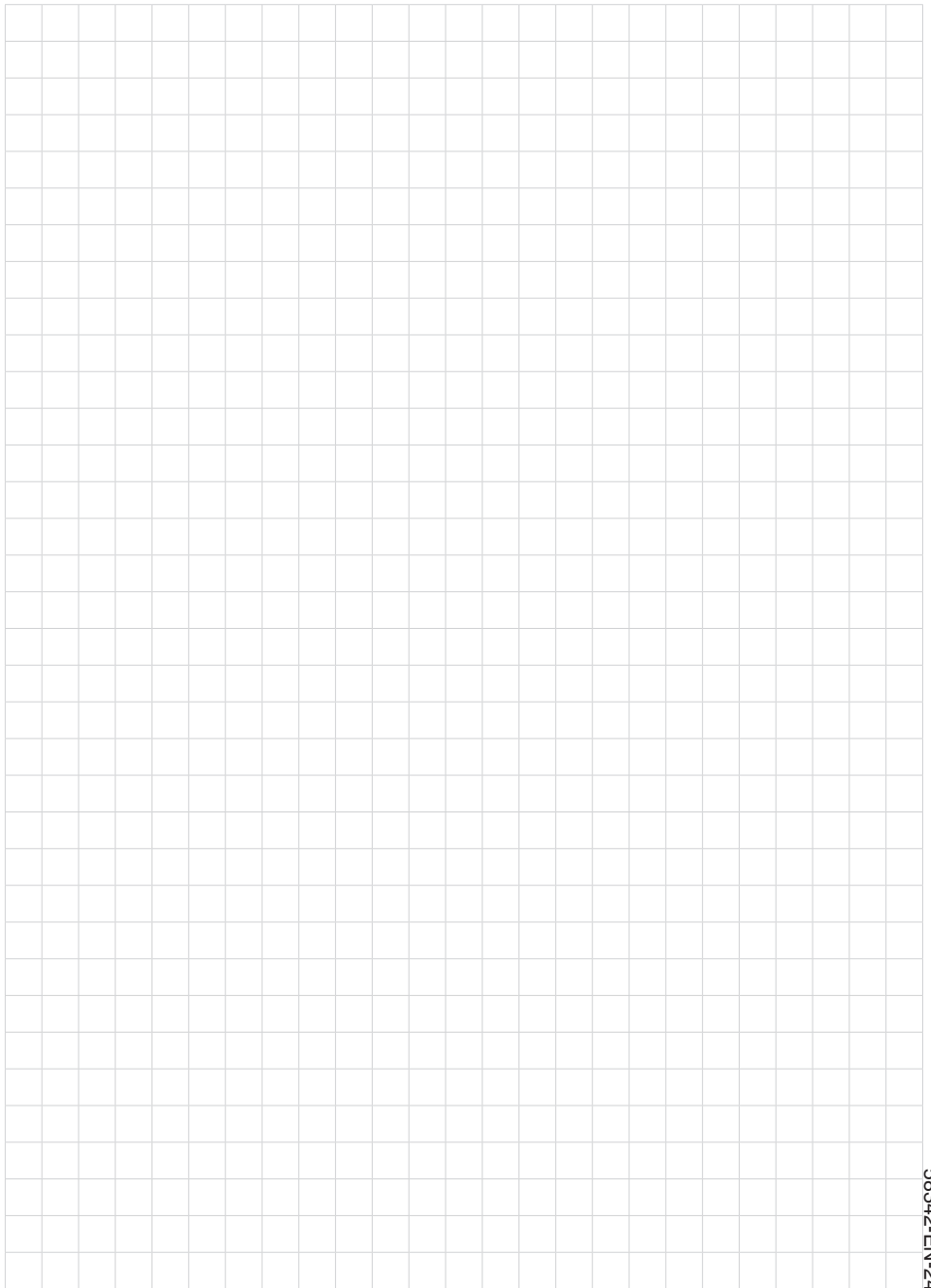
进一步信息请参见网站www.vega.com。

13.9 Licensing information for open source software

Open source software components are also used in this device. A documentation of these components with the respective license type, the associated license texts, copyright notes and disclaimers can be found on our homepage.

13.10 Trademark

All the brands as well as trade and company names used are property of their lawful proprietor/originator.



Printing date:

VEGA

All statements concerning scope of delivery, application, practical use and operating conditions of the sensors and processing systems correspond to the information available at the time of printing.

Subject to change without prior notice

© VEGA Grieshaber KG, Schiltach/Germany 2024

58342-EN-241115

VEGA Grieshaber KG
Am Hohenstein 113
77761 Schiltach
Germany

Phone +49 7836 50-0
E-mail: info.de@vega.com
www.vega.com