

Precision digital pressure gauge, model CPG1000

GB

Präzisions-Digitalmanometer, Typ CPG1000

D



Precision digital pressure gauge, model CPG1000



GB	Operating instructions model CPG1000	Page	3 - 34
D	Betriebsanleitung Typ CPG1000	Seite	35 - 66

© 2010 WIKA Alexander Wiegand SE & Co. KG
All rights reserved. / Alle Rechte vorbehalten.
WIKA® is a registered trademark in various countries.
WIKA® ist eine geschützte Marke in verschiedenen Ländern.

Prior to starting any work, read the operating instructions!
Keep for later use!

Vor Beginn aller Arbeiten Betriebsanleitung lesen!
Zum späteren Gebrauch aufbewahren!

Contents

1.	General information	4
2.	Safety	6
2.1	Intended use	6
2.2	Personnel qualification	7
2.3	Additional safety instructions for instruments per ATEX	7
2.4	Special hazards	9
2.5	Labelling/safety marks	11
3.	Specifications	12
4.	Design and function	17
4.1	Description	17
4.2	Scope of delivery	17
4.3	Front foil of the CPG1000	18
4.4	Integrated data logger	18
4.5	External voltage supply	18
4.5.1	Battery replacement	19
4.5.2	Battery life time	19
4.6	RS-232 Interface	19
4.7	Connections	19
5.	Transport, packaging and storage	20
6.	Commissioning, operation	21
6.1	Normal operation	21
6.2	Setup and configuration	21
6.3	Supervisor mode (Control mode)	26
7.	Maintenance and cleaning and servicing	27
8.	Faults	28
9.	Dismounting, return and disposal	29
10.	Accessories	30
	Appendix 1: EC Declaration of conformity for CPG1000	31
	Appendix 2: EC-type examination certificate for CPG1000	32

Declarations of conformity can be found online at www.wika.com.

1. General information

GB

- The precision digital pressure gauge model CPG1000 described in the operating instructions has been manufactured using state-of-the-art technology. All components are subject to stringent quality and environmental criteria during production. Our management systems are certified to ISO 9001 and ISO 14001.
- These operating instructions contain important information on handling the instrument. Working safely requires that all safety instructions and work instructions are observed.
- Observe the relevant local accident prevention regulations and general safety regulations for the instrument's range of use.
- The operating instructions are part of the product and must be kept in the immediate vicinity of the instrument and readily accessible to skilled personnel at any time.
- Skilled personnel must have carefully read and understood the operating instructions prior to beginning any work.
- The manufacturer's liability is void in the case of any damage caused by using the product contrary to its intended use, non-compliance with these operating instructions, assignment of insufficiently qualified skilled personnel or unauthorised modifications to the instrument.
- The general terms and conditions contained in the sales documentation shall apply.
- Subject to technical modifications.
- Factory calibrations / DKD/DAkkS calibrations are carried out in accordance with international standards.
- Further information:
 - Internet address: www.wika.de / www.wika.com
 - Relevant data sheet: CT 10.01
 - Application consultant: Tel.: (+49) 9372/132-9986
Fax: (+49) 9372/132-217
E-Mail: testequip@wika.de

Explanation of symbols

**WARNING!**

... indicates a potentially dangerous situation that can result in serious injury or death, if not avoided.

**CAUTION!**

... indicates a potentially dangerous situation that can result in light injuries or damage to equipment or the environment, if not avoided.

**Information**

... points out useful tips, recommendations and information for efficient and trouble-free operation.

**DANGER!**

...identifies hazards caused by electric power. Should the safety instructions not be observed, there is a risk of serious or fatal injury.

**WARNING!**

... indicates a potentially dangerous situation in the hazardous area that can result in serious injury or death, if not avoided.

2. Safety

GB



WARNING!

Before installation, commissioning and operation, ensure that the appropriate CPG1000 precision digital pressure gauge has been selected in terms of measuring range, design and specific measuring conditions.

Non-observance can result in serious injury and/or damage to the equipment.



Further important safety instructions can be found in the individual chapters of these operating instructions.

2.1 Intended use

The CPG1000 precision digital pressure gauge can be used as a calibration instrument and also for any application which requires high-accuracy pressure measurement.

The instrument has been designed and built solely for the intended use described here, and may only be used accordingly.

The technical specifications contained in these operating instructions must be observed. Improper handling or operation of the instrument outside of its technical specifications requires the instrument to be taken out of service immediately and inspected by an authorised WIKA service engineer.

Handle electronic precision measuring instruments with the required care (protect from humidity, impacts, strong magnetic fields, static electricity and extreme temperatures, do not insert any objects into the instrument or its openings). Plugs and sockets must be protected from contamination.

If the instrument is transported from a cold into a warm environment, the formation of condensation may result in instrument malfunction. Before putting it back into operation, wait for the instrument temperature and the room temperature to equalise.

The manufacturer shall not be liable for claims of any type based on operation contrary to the intended use.

2.2 Personnel qualification

**WARNING!****Risk of injury should qualification be insufficient!**

Improper handling can result in considerable injury and damage to equipment.

The activities described in these operating instructions may only be carried out by skilled personnel who have the qualifications described below.

Skilled personnel

Skilled personnel are understood to be personnel who, based on their technical training, knowledge of measurement and control technology and on their experience and knowledge of country-specific regulations, current standards and directives, are capable of carrying out the work described and independently recognising potential hazards.

Special operating conditions require further appropriate knowledge, e.g. of aggressive media.

2.3 Additional safety instructions for instruments per ATEX

**WARNING!**

Non-observance of these instructions and their contents may result in the loss of explosion protection.

The CPG1000 is a precision digital pressure gauge. The sensor may be bottom or back mounted. The case is about 10 cm in diameter and it may be used as a hand-held gauge or it may be fixed in place.

- Battery operation:
Use AA alkaline batteries only! Only replace the batteries outside the hazardous area!
- Measuring instruments with an external power supply unit are not approved for hazardous areas.
- Operation of the serial interface in the hazardous area is prohibited.
- Temperature range: -10 ... +55 °C



Further hazardous area safety instructions:

Observe the operating information and the relevant country-specific regulations concerning use in hazardous areas (e.g. EN 60079-14).

The precision digital pressure gauge is not intended for use with flammable substances. It is only suitable for installation in locations which provide sufficient protection against the intrusion of solid foreign objects or water which could impair the safety.

The instructions in these operating instructions must be followed strictly in order to guarantee safe operation.

Information/Approval for hazardous locations



WARNING!

■ Hazardous areas

An hazardous area, as used in this manual, refers to an area made hazardous by the potential presence of flammable or explosive vapours. These areas are also referred to as hazardous locations, see NFPA 70 Article 500.



© LR110460, Class I, Division 2, Group A, B, C, D



II 3G Ex nA IIB T6
KEMA 09ATEX0096 X
 $T_a = -10 \dots +55 \text{ }^\circ\text{C}$



WARNING!

Only precision digital gauges powered by alkaline batteries are approved for use in hazardous rooms. Precision digital pressure gauges with an external voltage supply are not approved for use in hazardous areas.

The replacement of any components impairs their suitability for use in hazardous areas.

2.4 Special hazards

**WARNING!**

Observe the information given in the applicable type examination certificate and the relevant country-specific regulations for installation and use in hazardous areas (e.g. IEC 60079-14, NEC, CEC). Non-observance can result in serious injury and/or damage to equipment.

For additional important safety instructions for instruments with ATEX approval see chapter 2.3 "Additional safety instructions for instruments per ATEX".

**WARNING!**

- Only connect or disconnect the CPG1000 once the system has been depressurised!
- Observe the working conditions in accordance with chapter 3 "Specifications".
- Always operate the pressure indicator within its overpressure limits.
- For hazardous media such as oxygen, acetylene, flammable or toxic gases or liquids, and refrigeration plants, compressors, etc., in addition to all standard regulations, the appropriate existing codes or regulations must also be followed.
- If it is obvious that safe operation of the instrument is no longer possible, the instrument must be put out of operation and marked in order to secure it against inadvertent use.
- The circuitry for connection to other devices should be designed with particular care. Under certain circumstances internal junctions in external devices (e.g. GND junctions with screen) could lead to impermissible voltage potentials that could impair the function of the device itself or a device connected to it, or even destroy them.
- The measurement signal of the reference (or test sample) can be influenced by massive electromagnetic irradiation and/or the indication of the signal could be completely absent.
- If the CPG1000 is used in applications with oil as a pressure medium, make sure it will not be used with flammable material or gases directly afterwards since it can lead to dangerous explosions and danger to personnel and machinery.
- Residual media in the dismantled instrument can result in a risk to persons, the environment and the equipment. Take sufficient precautionary measures.



DANGER!

Danger of death caused by electric current

Operation using a defective power supply unit (e.g. short circuit from the mains voltage to the output voltage) can result in life-threatening voltages at the instrument!

Special conditions for safe use



WARNING!

If the CPG1000 has been exposed to overload or sudden physical shock (e.g. being dropped) it should be checked for signs of damage that may cause concerns about safety. If there is any doubt, return the unit to WIKA for evaluation. For information on returning the instrument see chapter 9.2 "Return".

The CPG1000 is not intended for use with flammable substances and must be used only in locations which provide sufficient protection against the intrusion of solid foreign objects or water which could impair the safety.



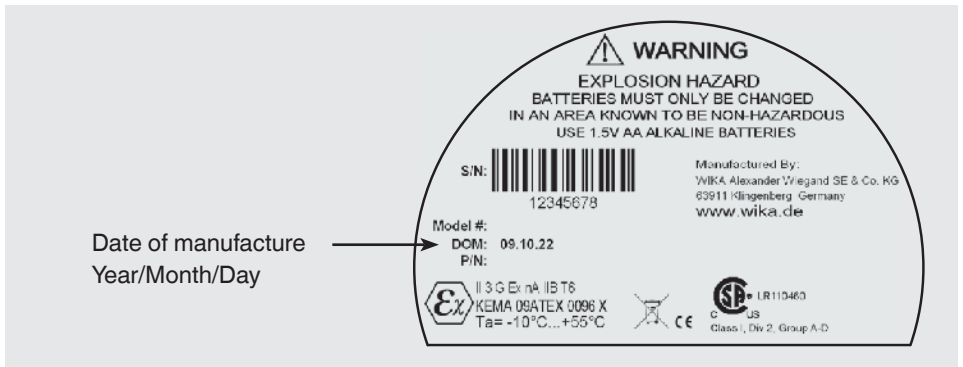
CAUTION!

To avoid possible damage to the calibration reference or to equipment under test:

- If the message "OL" is displayed, the measuring range has been exceeded and the pressure source must be removed immediately from the CPG1000 in order to prevent damage to the internal sensor.
- The maximum permitted torque of the thread is 13.5 Nm = 10 ftlbs. This permitted torque must **NEVER** be exceeded.
- When screwing the NPT thread of the CPG1000 to an adapter or a process connection, it is necessary to use an additional sealing compound, e.g. Teflon tape between the threads.
- The sealing has to be made with Teflon tape directly via the NPT thread and not via the manifold at the CPG1000.

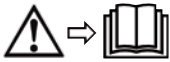
2.5 Labelling/Safety marks

Product label



GB

Explanation of symbols



Before mounting and commissioning the instrument, ensure you read the operating instructions!



CSA, Canadian Standard Association®

The instrument was inspected and certified by CSA International. Instruments bearing this mark comply with the applicable Canadian standards on safety (including explosion protection)



CE, Communauté Européenne

Instruments bearing this mark comply with the relevant European directives.



ATEX European Explosion Protection Directive

(Atmosphère = AT, explosible = EX)

Instruments bearing this mark comply with the requirements of the European directive 94/9/EC (ATEX) on explosion protection.



This marking on the instruments indicates that they must not be disposed of in domestic waste. The disposal is carried out by return to the manufacturer or by the corresponding municipal authorities (see directive 2002/96/EC).

3. Specifications

3. Specifications

GB

Sensor technology

Measuring range	mbar	0 ... 70¹⁾						
Overpressure limit	mbar	200						
Burst pressure	mbar	350						
Resolution	mbar	0.001						
Measuring range	bar	0 ... 1	0 ... 2	-1 ... +1¹⁾	-1 ... +2¹⁾	0 ... 7		
Overpressure limit	bar	4	4	4	4	14		
Burst pressure	bar	6	6	6	6	70		
Resolution	bar	0.0001						
Measuring range	bar	0 ... 20	0 ... 35	0 ... 70	0 ... 140	0 ... 200	0 ... 350	0 ... 700
Overpressure limit	bar	42	70	140	210	420	700	1,100
Burst pressure	bar	140	140	700	700	700	700	1,100
Resolution	bar	0.001			0.01			
Measuring range	bar abs.	0 ... 1	0 ... 2	0 ... 7	0 ... 20			
Overpressure limit	bar abs.	4	4	14	42			
Burst pressure	bar abs.	35	35	70	140			
Resolution	bar abs.	0.0001			0.001			
Accuracy	0.05 % FS (0.1 % FS for measuring ranges 0 ... 70 mbar, -1 ... +1 bar and -1 ... +2 bar) (0.25 % FS for vacuum measuring ranges with instruments from 7 bar to a max. 35 bar) ²⁾							
Compensated temperature range	0 ... 50 °C							
Temperature coefficients	0.005 % of the span/°C outside of 0 ... 50 °C							
Type of pressure	relative pressure, absolute pressure (up to 20 bar abs) and vacuum measuring ranges							
Pressure connection	¼ NPT male (incl. ¼ NPT female to G ½ male adapter) ³⁾							
Pressure medium	all liquids and gases compatible with 316 stainless steel ¹⁾							

1) Only use the measuring ranges marked in this way with clean non-corrosive gases.

2) For measuring instruments with a maximum measuring range of up to 2 bar, operation in the vacuum measuring range is limited to -350 mbar. (Measuring ranges -1 ... +1 bar and -1 ... +2 bar are excluded.) Measuring ranges ≥ 7 bar can be loaded with a full vacuum.

3) Adapter not included in delivery for North America.

3. Specifications

Base instrument

Indicator

Display 5 1/2 digit display, character size 16.53 mm (0.65")
20 segment bargraph, 0 ... 100 %

Pressure units psi, bar, mbar, Kg/cm², inH₂O (4 °C, 20 °C or 60 °F), ft H₂O (4 °C, 20 °C or 60 °F), cmH₂O (4 °C and 20 °C), mH₂O (4 °C and 20 °C), kPa, MPa, inHg, mmHg, TORR, mSW, ft SW, user-defined unit

Functions

Measuring rate 0.5/sec. to 10/sec. selectable

Memory MIN/MAX, integrated data logger

Data logger ⁴⁾ Cyclic logger: automatic recording of up to 8,500 values;
Cycle time: selectable from 1 ... 3,600 sec. in the following steps
1 sec., 2 sec., 5 sec., 10 sec., 30 sec., 1 min, 2 min, 5 min, 10 min, 30 min and 1 h

Material

Wetted parts stainless steel 316

Case stainless steel

Voltage supply

Power supply 3 x 1.5 V AA alkaline batteries

Battery life approx. 1,500 h without backlighting
approx. 2,000 h at lower measuring rate

Battery status indication Icon in display for low battery level

Permissible ambient conditions

Operating temperature -10 ... +55 °C

Medium temperature -10 ... +55 °C (lower temperature limit above the freezing point of the medium)

Storage temperature -20 ... +70

Relative humidity < 95 % r.H. (non-condensing)

Communication

Interface USB, RS-232

Case

Dimensions 111 x 127 x 38 mm

Ingress protection IP 65

Weight approx. 455 g

GB

3. Specifications

Approvals and certificates

CE conformity

EMC directive 2004/108/EC, EN 61326-1 emission (group 1, class B) and interference immunity (Appendix A)

ATEX directive II 3G Ex nA IIB T6

CSA directive Class I, division 2, groups A, B, C, D

Certificate

Calibration 3.1 calibration certificate per DIN EN 10204
option: DKD/DAkkS calibration certificate

For further specifications see WIKA data sheet CT10.01 and the order documentation.



For further important safety instructions for the operation in hazardous areas see chapter 2.3 "Additional safety instructions for instruments per ATEX".

Available measuring ranges and resolutions

Measuring ranges and factors part 1

	Measuring range in bar	0 ... 0.07	0 ... 1 -1 ... +1	0 ... 2 -1 ... +2	0 ... 7	0 ... 20	0 ... 35
Unit	Conversion factor						
psi	1	1.0000	15.000	30.000	100.00	300.00	500.00
bar	0.06894757	0.0689	1.0342	2.0684	6.8948	20.684	34.474
mbar	68.94757	68.948	1,034.2	2,068.4	6,894.8	20,684	34,474
kPa	6.894757	6.8948	103.42	206.84	689.48	2,068.4	3,447.4
MPa	0.00689476	0.0069	0.1034	0.2068	0.6895	2.0684	3.4474
kg/cm ²	0.07030697	0.0703	1.0546	2.1092	7.0307	21.092	35.153
mmHg (0 °C)	51.71507	51.715	775.73	1,551.5	5,171.5	15,515	25,858
inHg (0 °C)	2.03603	2.0360	30.540	61.081	203.60	610.81	1,018.0
cmH ₂ O (4 °C)	70.3089	70.309	1,054.6	2,109.3	7,030.9	21,093	35,154
cmH ₂ O (20 °C)	70.4336	70.434	1,056.5	2,113.0	7,043.4	21,130	35,217
mmH ₂ O (4 °C)	703.089	703.09	10,546	21,093	70,309	-- 1)	-- 1)
mmH ₂ O (20 °C)	704.336	704.34	10,565	21,130	70,434	-- 1)	-- 1)
mH ₂ O (4 °C)	0.703089	0.7031	10.546	21.093	70.309	210.93	351.54
mH ₂ O (20 °C)	0.704336	0.7043	10.565	21.130	70.434	211.30	352.17
inH ₂ O (4 °C)	27.68067	27.681	415.21	830.42	2,768.1	8,304.2	13,840
inH ₂ O (20 °C)	27.72977	27.730	415.95	831.89	2,773.0	8,318.9	13,865
inH ₂ O (60 °F)	27.70759	27.708	415.61	831.23	2,770.8	8,312.3	13,854
ftH ₂ O (4 °C)	2.306726	2.3067	34.601	69.202	230.67	692.02	1,153.4

3. Specifications

GB

Measuring ranges and factors part 1

	Measuring range in bar	0 ... 0.07	0 ... 1 -1 ... +1	0 ... 2 -1 ... +2	0 ... 7	0 ... 20	0 ... 35
Unit	Conversion factor						
ftH ₂ O (20 °C)	2.310814	3.3108	34.662	69.324	231.08	693.24	1,155.4
ftH ₂ O (60 °F)	2.308966	2.3090	34.634	69.269	230.90	692.69	1,154.5
ft sea water	2.24719101	2.2472	33.708	67.416	224.72	674.16	1,123.6
m sea water	0.68494382	0.6849	10.274	20.548	68.494	205.48	342.47
Torr	51.71507	51.715	775.73	1,551.5	5,171.5	15,515	25,858

Measuring ranges and factors part 2

	Measuring range in bar	0 ... 70	0 ... 140	0 ... 200	0 ... 350	0 ... 700
Unit	Conversion factor					
psi	1	1,000.0	2,000.0	3,000.0	5,000.0	10,000
bar	0.06894757	68.948	137.90	206.84	344.74	689.48
mbar	68.94757	68,948	-- 1)	-- 1)	-- 1)	-- 1)
kPa	6.894757	6,894.8	13,790	20,684	34,474	68,948
MPa	0.00689476	6.8948	13.790	20.684	34.474	68.948
kg/cm ²	0.07030697	70.307	140.61	210.92	351.53	703.07
mmHg (0 °C)	51.71507	51,715	-- 1)	-- 1)	-- 1)	-- 1)
inHg (0 °C)	2.03603	2,036.0	4,072.1	6,108.1	10,180	20,360
cmH ₂ O (4 °C)	70.3089	70,309	-- 1)	-- 1)	-- 1)	-- 1)
cmH ₂ O (20 °C)	70.4336	70,434	-- 1)	-- 1)	-- 1)	-- 1)
mmH ₂ O (4 °C)	703.089	-- 1)	-- 1)	-- 1)	-- 1)	-- 1)
mmH ₂ O (20 °C)	704.336	-- 1)	-- 1)	-- 1)	-- 1)	-- 1)
mH ₂ O (4 °C)	0.703089	703.09	1,406.2	2,109.3	3,515.4	7,030.9
mH ₂ O (20 °C)	0.704336	704.34	1,408.7	2,113.0	3,521.7	7,043.4
inH ₂ O (4 °C)	27.68067	27,681	55,361	83,042	-- 1)	-- 1)
inH ₂ O (20 °C)	27.72977	27,730	55,460	83,189	-- 1)	-- 1)
inH ₂ O (60 °F)	27.70759	27,708	55,415	83,123	-- 1)	-- 1)
ftH ₂ O (4 °C)	2.306726	2,306.7	4,613.5	6,920.2	11,534	23,067
ftH ₂ O (20 °C)	2.310814	2,310.8	4,621.6	6,932.4	11,554	23,108
ftH ₂ O (60 °F)	2.308966	2,309.0	4,617.9	6,926.9	11,545	23,090
ft sea water	2.24719101	2,247.2	4,494.4	6,741.6	11,236	22,472
m sea water	0.68494382	684.94	1,369.9	2,054.8	3,424.7	6,849.4
Torr	51.71507	51,715	-- 1)	-- 1)	-- 1)	-- 1)

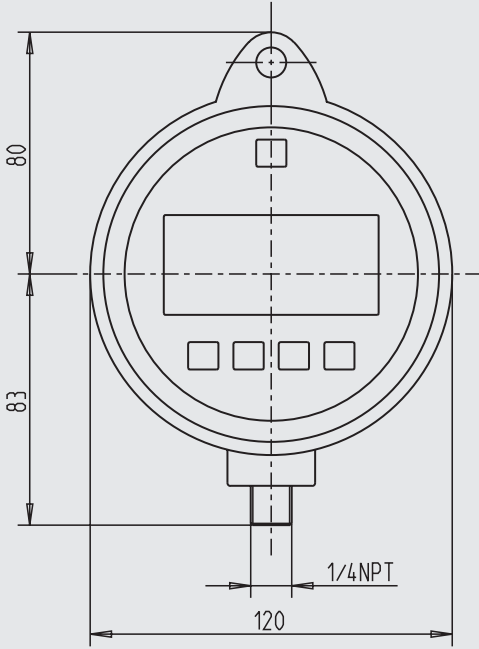
1) Due to the limited screen resolution, no values are displayed here. The resolution is limited to 100,000 digits.

3. Specifications

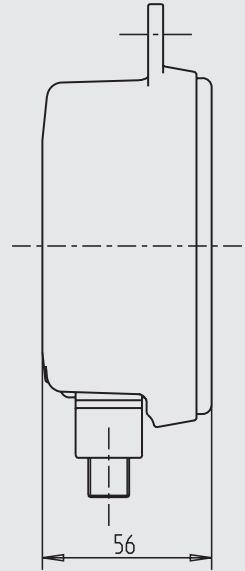
Dimensions in mm

GB

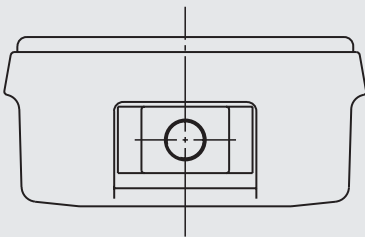
Front view



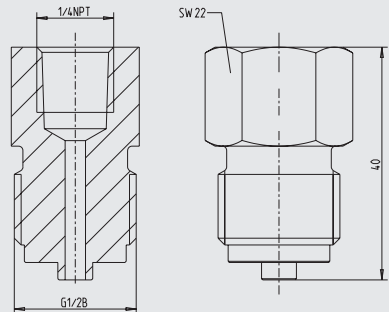
Side view



Bottom view



Adapter included



4. Design and function

4.1 Description

The CPG1000 combines the high accuracy of the digital electronics with the convenience and easy handling of an analogue test gauge. Accurate to $\pm 0.05\%$ FS the CPG1000 can be used as a calibration reference or in any application requiring high accuracy pressure measurement.

Many user-configurable functions have been implemented in the CPG1000, for example sampling rate, tare, damping, automatic disconnection and Min-Max measurement. Once the digital pressure gauge is configured, the settings can be locked and password protected to prevent unauthorised changes to the configuration.

4.2 Scope of delivery

- Precision digital pressure gauge model CPG1000
- Operating instructions
- 3.1 calibration certificate per DIN EN 10204
- 3 x 1.5 V AA alkaline batteries
- Adapter 1/4 NPT female to G 1/2 male ¹⁾
- Protective rubber cap for case

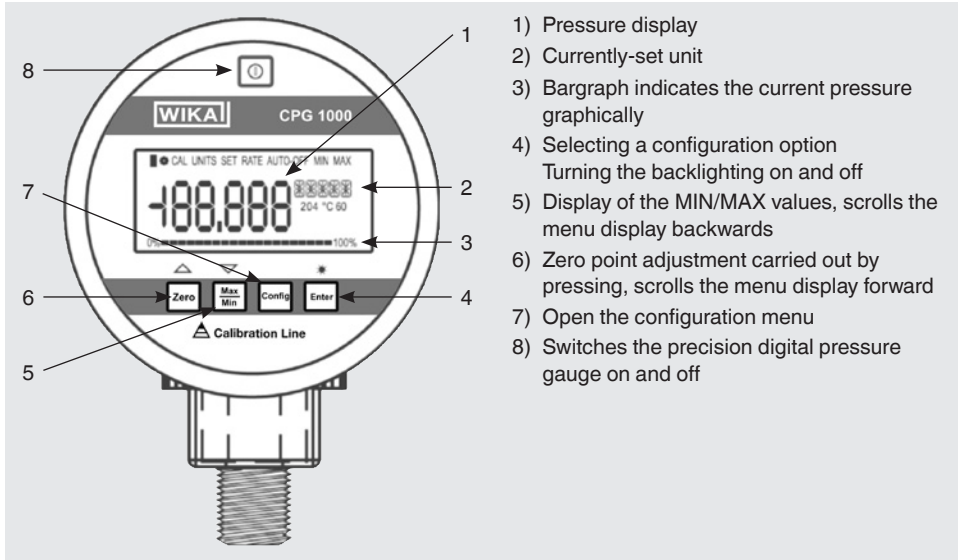
1) Not included in delivery for North America.

Cross-check scope of delivery with delivery note.

The alkaline batteries are installed ex works, except in the variant with optional DC 24 V voltage supply. In this case the alkaline batteries are not included in the scope of delivery.

4. Design and function

4.3 Front foil of the CPG1000 precision digital pressure gauge



4.4 Integrated data logger

From the firmware Version 3.00 onwards, the CPG1000 has an integrated data logger. This data logger can be activated and operated using the CPGLog software. For this, see the CPGLog operating instructions.

4.5 External voltage supply

The standard version is supplied with three AA alkaline batteries. In the optional DC 24V powered version with an external voltage supply, the alkaline batteries are not installed. Connect the DC 24 V voltage supply to the terminals at the rear of the measuring instrument. Ensure the polarity is correct. Do not insert any batteries if an external power supply is being used.



WARNING!

Prior to connecting the mains adapter to the mains power supply make sure that the operating voltage specified on the mains adapter matches the mains voltage.

Measuring instruments with an external power supply unit are supplied without batteries inserted. For operation with an external voltage source, batteries **MUST NOT** be inserted. Measuring instruments with an external power supply unit are not approved for the hazardous areas.

4.5.1 Battery replacement

**WARNING!**

Do not change the alkaline batteries in hazardous area!

GB

Rotate the faceplate of the CPG1000 to the left by approx. 90° and remove it. After that the front panel of the pressure gauge can be removed and the battery compartment is accessible. Insert the three AA-sized alkaline batteries in correct polarity.

**WARNING!**

Always use AA alkaline batteries and observe the correct polarity. During enclosure assembly ensure that the front is aligned properly.

4.5.2 Battery life time

The battery life time is 1,500 hours (62 days) for continuous operation (without background illumination). In the lower left corner of the display there is a symbol for the battery capacity. This symbol appears if the battery voltage is too low. For instructions on batteries refer to chapter 3 "Specifications".

4.6 RS-232 interface

The CPG1000 has as standard an RS-232 interface. Only the interface converter offered by WIKA may be used. The serial data transmission can be used for configuration, calibration and transmission of the instrument's measured values.

**WARNING!**

The RS-232 interface must not be used in hazardous areas.

4.7 Connections

The CPG1000 uses a ¼ NPT male thread connection for its process connection. An adapter on G ½ male thread is included in the scope of delivery. Different adapters may be necessary for connection to the pressure reference standard. When screwing the NPT thread of the CPG1000 to an adapter or a process connection, it is necessary to use an additional sealing compound, e.g. Teflon tape between the threads. The hose, lines and fittings etc. must always be approved, as a minimum, for the working pressure which corresponds to the pressure of the instrument. In addition, there must be no leaks during the calibration process. If necessary, seal using Teflon tape.

5. Transport, packaging and storage

5.1 Transport

GB Check the precision digital pressure gauge for any damage that may have been caused by transport. Obvious damage must be reported immediately.

5.2 Packaging

Do not remove packaging until just before mounting.

Keep the packaging as it will provide optimum protection during transport (e.g. change in installation site, sending for repair).

5.3 Storage

Permissible conditions at the place of storage:

- Storage temperature: -20 ... +70 °C
- Humidity: 0 ... 90 % relative humidity (no condensation)

Avoid exposure to the following factors:

- Direct sunlight or proximity to hot objects
- Mechanical vibration, mechanical shock (putting it down hard)
- Soot, vapour, dust and corrosive gases

Store the CPG1000 in its original packaging in a location that fulfils the conditions listed above. If the original packaging is not available, pack and store the instrument as described below:

1. Wrap the instrument in an antistatic plastic film.
2. Place the instrument, along with shock-absorbent material, in the packaging.
3. If stored for a prolonged period of time (more than 30 days), place a bag, containing a desiccant, inside the packaging.



WARNING!

Before storing the instrument (following operation), remove any residual media. This is of particular importance if the medium is hazardous to health, e.g. caustic, toxic, carcinogenic, radioactive, etc.

6. Commissioning, operation



Only connect to test- and calibration installations in the depressurised condition (atmospheric).

Push the power button briefly to turn the instrument on. Push the button again to turn it off. After switching on the firmware version is indicated on the display for approx. 1 second.

6.1 Normal operation

Turning on and off the background illumination: Press the Enter key.

Zeroing the display: Press and hold the ZERO key.



For absolute pressure gauge after pressing the ZERO key, the barometric reference value has to be entered. Use keys ▲ and ▼ to set the value. Confirm with ENTER.

As the calibration was realised with this value, it is recommended not to change the reference value set ex-works.

MAX/MIN: The CPG1000 stores the minimum and maximum pressure in the memory. If the MAX/MIN key is pressed once, the maximum pressure from the memory is displayed. If the MAX/MIN key is pressed again, the minimum pressure from the memory is displayed. After 2 seconds the instrument returns to normal operation. To delete the memory registers holding the values for MAX/MIN, hold the MAX/MIN key pressed for at least 2 seconds until the "CLR" message is displayed. The bargraph on the lower edge of the display indicates the present pressure proportional to the entire measuring range.

If a TARA value has been programmed for the CPG1000, the displayed pressure does not correspond to the actual pressure applied.

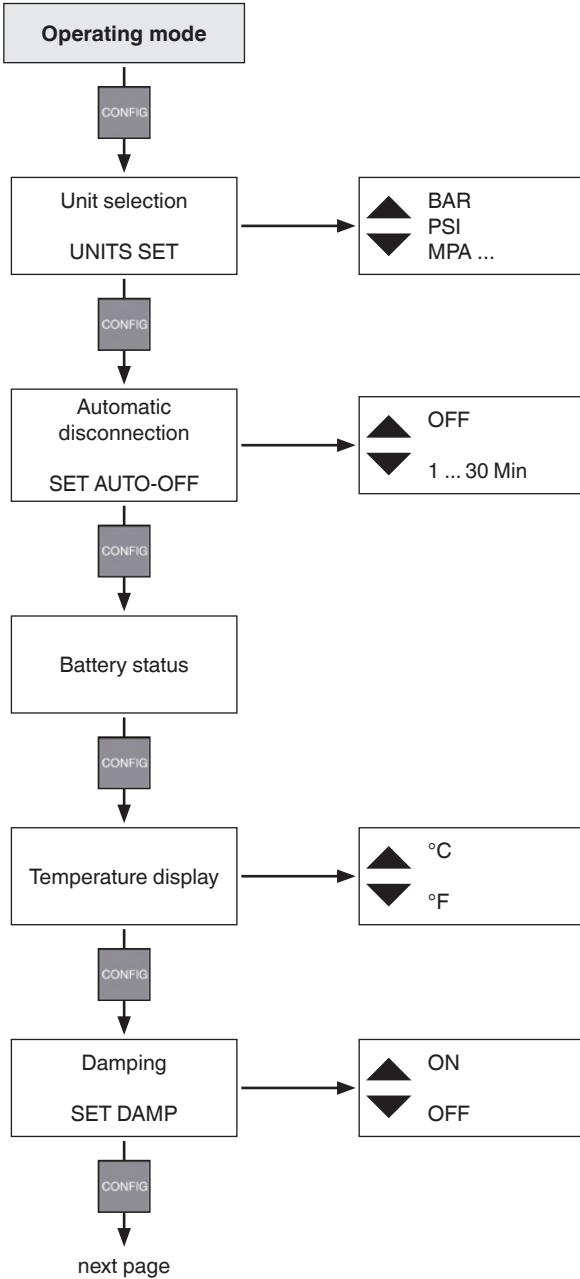
6.2 Setup and configuration

Press the CONFIG key to access the functions of the instrument which are adjustable by the user. Every time the CONFIG key is pressed, the display switches to the next function. As soon as a function is configured, press the Enter key to close the Configuration menu, or the CONFIG key to continue configuration.

6. Commissioning, operation

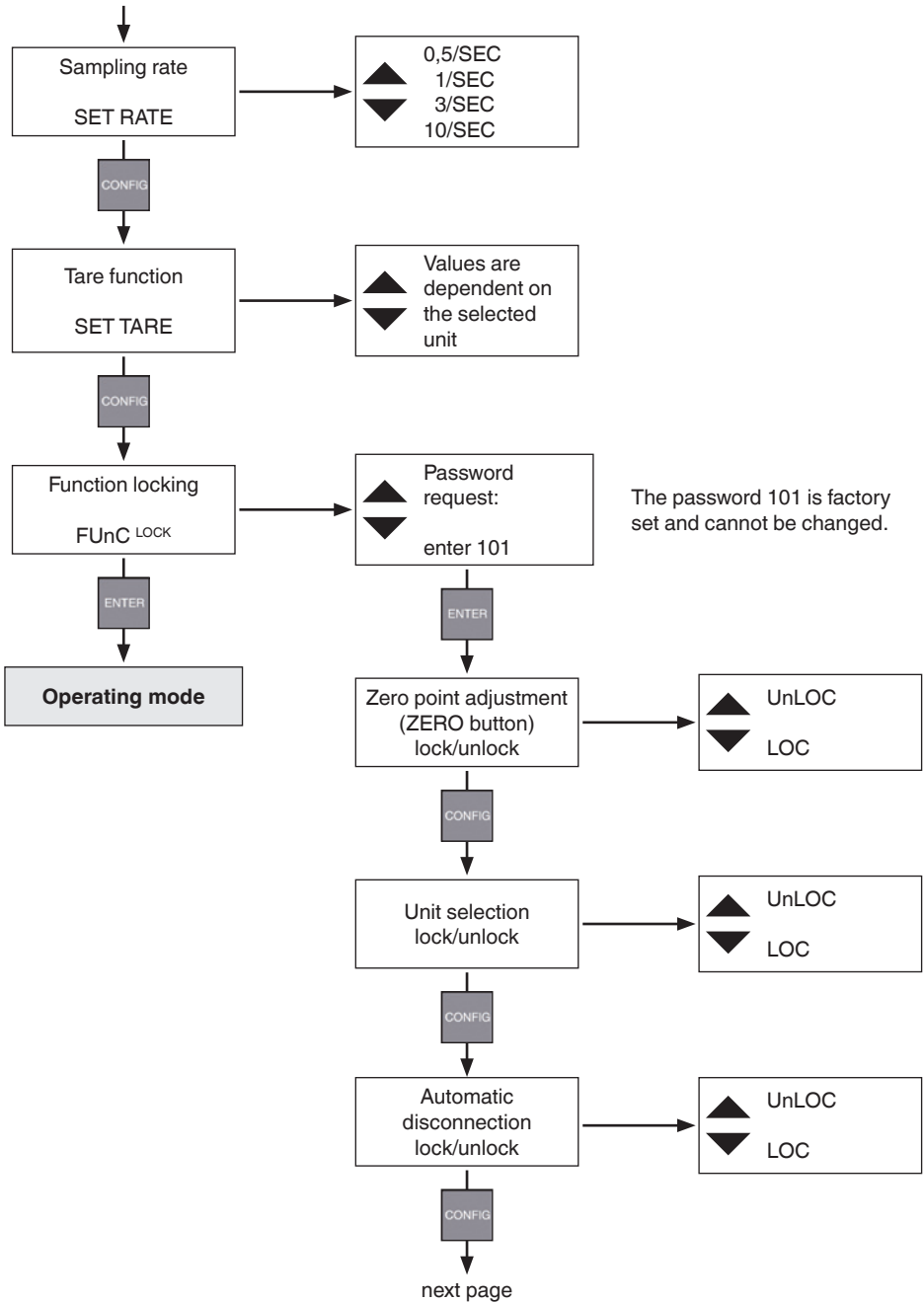
Menu navigation

GB

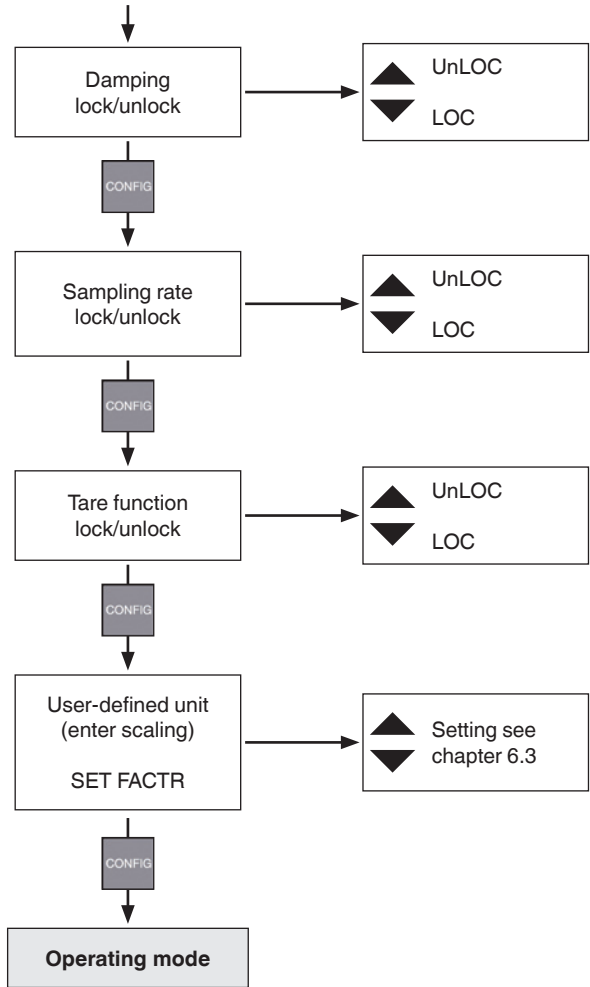


6. Commissioning, operation

GB



11568047.02.08/2012 GB/D



Pressure units

The instrument is factory configured to display "PSI". Using the ▲ and ▼ keys (ZERO and MAX/MIN) you can scroll up and down through the 18 engineering units defined as a standard, and through the user-defined units or scale. Once the required measuring unit is displayed, press the Enter key or the CONFIG key. The pressure will then be displayed in the selected engineering units. A list of available engineering units is given in chapter 3 "Specifications", of this manual. Details on the configuration of user-defined measuring units is given in chapter 6.3 "Supervisor mode".

Automatic Power-off

The function for automatic shut-down can be set in intervals of 1 minute, from 1 to 30 minutes, or it can be turned off (continuous operation). The measuring instrument is delivered with an automatic power-off after 30 minutes. Define the required interval using the ▲ and ▼ keys. The OFF setting is at the very start of the options before setting for 1 minute.

Displaying battery voltage

The current battery voltage, and the remaining useful life of the battery, are displayed in the form of a progress bar display.

Indication of the current temperature

The measuring instrument is temperature compensated. This option displays the temperature measured by the internal sensor. The display value can be switched from degrees Fahrenheit to degrees Celsius.

Setting damping

Using the ▲ and ▼ keys you can turn this option on and off. With damping enabled, the measured values from pulsating pressure sources are smoothed.

Configuring the sampling rate

The sampling rate defines the frequency with which the pressure is measured and the indication is refreshed. The options are 0.5, 1, 3 and 10 measurements per second. The shortest response time is 10 measurements per second.

TARE (setting Tare)

Using this option you can set the constant offset value which will be subtracted from the measured pressure. If, for example, TARE is set to 30 bar and the measured pressure is 37 bar, the measured value displayed will be 7 bar. A pressure of 27 bar would then be displayed as -3 bar. The TARE value is set manually using the ▲ and ▼ keys, it depends on the engineering units and the resolution selected for the indication. The TARE value can be set to the maximum scale range. The progress bar indication always indicates the actual pressure in relation to the entire measuring range, irrespective of the Tare setting. This is performed for safety reasons so that when "0" is displayed, it can still be shown that there is a corresponding pressure at the pressure gauge.

Function lock

Access to adjustable parameters can be partially deactivated, once they are set, to prevent unauthorised changes to the configuration. This is accomplished through a password-protected "supervisor mode". Press the Enter key to access the Supervisor Mode or the CONFIG key to return to normal operation.

6.3 Supervisor mode (Control mode)

As soon as the "FUnc LOCK" message is displayed, press the Enter key. The 0PWRD message appears on the display. The password for the Supervisor Mode is 101. It is entered using the ▲ and ▼ keys. If a key is held pressed, the display scrolls more quickly and the settings can be entered faster. The password is factory set and cannot be changed.

1. The CPG1000 is factory set in such a way that access to all settings is enabled and all settings can be changed.
2. In the Supervisor Mode, any parameter can be locked or unlocked using the ▲ and ▼ keys. Parameters that should not be freely accessible are locked using the LOG option and unlocked using the UnLOC option.
3. The functions that can be locked or unlocked are:
 - Zero function (enable/disable)
 - Set pressure units (enable/disable)
 - Setting of the automatic power off (enable/disable)
 - Damping settings (enable/disable)
 - Setting of the sampling rate (enable/disable)
 - Tare setting (enable/disable)
 - User-defined engineering units (set scale factor)
4. Using the CONFIG key search for the options mentioned above and lock and unlock functions using the ▲ and ▼ keys. To scroll through the parameters press the CONFIG key, and press the Enter key to save the settings and switch the CPG1000 back to normal operation. If a function is locked, it can neither be accessed nor can you change the current status. To modify a locked function, enter the Supervisor Mode and unlock the function. Once it has been modified, if necessary, enter the Supervisor Mode to lock it again.
5. Setting of a user-defined unit or scale: The last menu option in the Supervisor Mode is SET FACTOR. Using this option you can define a multiplier between 0.001 and 100 for a user-defined unit. The defined factor is multiplied by the psi measured. The result is displayed. Example: 40 psi corresponds to 1,000 g of a product in a tank. The weight of the product should appear on the display, a pressure gauge for 100 psi is used. If 25 is defined as the multiplier, the pressure of 40 psi corresponds to the value 1.000 (40 x 25). "CUST" is displayed on the instrument as the engineering unit.

7. Maintenance, cleaning and servicing

7.1 Maintenance

This CPG1000 precision digital pressure gauge is maintenance-free.

Repairs must only be carried out by the manufacturer.

This does not apply to the alkaline battery replacement.

GB

7.2 Cleaning



CAUTION!

- Before cleaning, correctly disconnect the CPG1000 from the pressure supply, switch it off and disconnect it from the mains.
- Clean the instrument with a moist cloth.
- Electrical connections must not come into contact with moisture.
- Residual media in the dismantled instrument can result in a risk to persons, the environment and equipment. Take sufficient precautionary measures.



For information on returning the instrument see chapter 9.2 "Return".

7.3 Recalibration


DKD certificate - Certificates:

We recommend that the instrument is regularly recalibrated by the manufacturer, with time intervals of approx. 12 months. Every factory recalibration includes, additionally, an extensive free-of-charge check of all system parameters with respect to their compliance with the specification. The basic settings will be corrected if necessary.

8. Faults

8. Faults

GB

Indication	Causes	Measures
	Battery is low, functioning is only guaranteed for a short period of time	Insert new alkaline batteries
OL -OL	Reading is significantly above or below the measuring range	Test: if pressure is within the approved measuring range of the sensor?
No display or un-definable characters, the instrument does not respond to key press	Battery is dead.	Insert new alkaline batteries
	Operation of mains adapter: false voltage/polarity	Check/replace mains adapter
	System fault	Turn off the CPG1000, wait for a short period of time, switch on again
	CPG1000 is defective	Send in for repair



CAUTION!

If faults cannot be eliminated by means of the measures listed above, the CPG1000 must be shut down immediately, and it must be ensured that pressure and/or signal are no longer present, and it must be prevented from being inadvertently put back into service.

In this case, contact the manufacturer.

If a return is needed, please follow the instructions given in chapter 9.2 "Return".

9. Dismounting, return and disposal



WARNING!

Residual media on the dismantled precision digital pressure gauge can result in a risk to persons, the environment and equipment. Take sufficient precautionary measures.

9.1 Dismounting

Only disconnect the test and calibration installations once the system has been depressurised!

9.2 Return



WARNING!

Strictly observe the following when shipping the instrument:

All instruments delivered to WIKA must be free from any kind of hazardous substances (acids, bases, solutions etc.).

When returning the instrument, use the original packaging or a suitable transport package.

To avoid damage:

1. Wrap the instrument in an antistatic plastic film.
2. Place the instrument, along with the shock-absorbent material, in the packaging.
Place shock-absorbent material evenly on all sides of the transport packaging.
3. If possible, place a bag, containing a desiccant, inside the packaging.
4. Label the shipment as transport of a highly sensitive measuring instrument.



Information on returns can be found under the heading "Service" on our local website.

9.3 Disposal

Incorrect disposal can put the environment at risk.

Dispose of instrument components and packaging materials in an environmentally compatible way and in accordance with the country-specific waste disposal regulations.



This marking on the instruments indicates that they must not be disposed of in domestic waste. The disposal is carried out by return to the manufacturer or by the corresponding municipal authorities (see EU directive 2002/96/EC).

10. Accessories

GB

Connection adapters

- Various pressure adapters

Pressure generation

- Pneumatic test pumps
- Hydraulic test pumps

Test cases

- Various calibration cases incl. pressure generation

Software

- CPGLog data-logger evaluation software
- USB interface cable
- RS-232 interface cable
- USB serial adapter

Installation

- Mounting flange (only with back mount process connection)

Miscellaneous

- DKD/DAkkS certified accuracy
- Connection for external voltage supply via DC 24 V
- Back mount process connection



EG-Konformitätserklärung

EC Declaration of Conformity

Dokument Nr.:

11496801.01

Wir erklären in alleiniger Verantwortung, dass die mit CE gekennzeichneten Produkte

Typ:

CPG1000

Beschreibung:

Präzisions-Digitalmanometer

gemäß gültigem Datenblatt:

CT10.01

die grundlegenden Schutzanforderungen der folgenden Richtlinie(n) erfüllen:

94/9/EG (ATEX)
2004/108/EG (EMV)

Kennzeichnung :

II 3 G Ex nA IIB T6

Die Geräte wurden entsprechend den folgenden Normen geprüft:

EN 61326-1:2006
EN 60079-0:2006
EN 60079-15:2005

Unterszeichnet für und im Namen von / Signed for and on behalf of

WIKA Alexander Wiegand SE & Co. KG

Klingenberg, 2009-12-10

Geschäftsbereich / Company division: MP-CT

Alfred Häfner

Unterschrift, autorisiert durch das Unternehmen / Signature authorized by the company

Document No.:

11496801.01

We declare under our sole responsibility that the CE marked products

Model:

CPG1000

Description:

Precision Digital Pressure Gauge

according to the valid data sheet:

CT10.01

are in conformity with the essential protection requirements of the directive(s)

94/9/EC (ATEX)
2004/108/EC (EMC)

Marking:

II 3 G Ex nA IIB T6

The devices had been tested according to the following standards:

EN 61326-1:2006
EN 60079-0:2006
EN 60079-15:2005

Qualitätsmanagement / Quality management : MP-CT

Harald Hartl

WIKA Alexander Wiegand SE & Co. KG
Alexander-Wiegand-Stralle 30
63811 Klingenberg
Germany

Tel. +49 9372 132-0
Fax +49 9372 132-406
E-Mail info@wika.de
www.wika.de

Kommanditgesellschaft: Sitz Klingenberg –
Amtsgericht Aschaffenburg HRA 1819
Komplementärin: WIKA Verwaltungs SE & Co. KG –
Sitz Klingenberg – Amtsgericht Aschaffenburg
HRA 4685

Komplementärin:
WIKA International SE - Sitz Klingenberg -
Amtsgericht Aschaffenburg HRB 10505
Vorstand: Alexander Wiegand
Vorsitzender des Aufsichtsrats: Dr. Max Egli



(1) TYPE EXAMINATION CERTIFICATE

(2) **Equipment and protective systems intended for use in potentially explosive atmospheres - Directive 94/9/EC**

(3) Type Examination Certificate Number: **KEMA 09ATEX0096 X** Issue Number: 1

(4) Equipment: **Precision Pressure Gauge Model CPG1000 Series**

(5) Manufacturer: **WIKA - Alexander Wiegand SE & Co. KG**

(6) Address: **Alexander-Wiegand-Straße 30, 63911 Klingenberg, Germany**

(7) This equipment and any acceptable variation thereto is specified in the schedule to this certificate and the documents therein referred to.

(8) KEMA Quality B.V. certifies that this equipment has been found to comply with the Essential Health and Safety Requirements relating to the design and construction of equipment and protective systems intended for use in potentially explosive atmospheres given in Annex II to the directive.

The examination and test results are recorded in confidential test report no. 212676200.

(9) Compliance with the Essential Health and Safety Requirements has been assured by compliance with:

EN 60079-0 : 2006

EN 60079-15 : 2005

(10) If the sign "X" is placed after the certificate number, it indicates that the equipment is subject to special conditions for safe use specified in the schedule to this certificate.

(11) This Type Examination Certificate relates only to the design, examination and tests of the specified equipment and not to the manufacturing process and supply of this equipment.

(12) The marking of the equipment shall include the following:



II 3 G EEx nA IIB T6

This certificate is issued on October 5, 2009 and, as far as applicable, shall be revised before the date of cessation of presumption of conformity of (one of) the standards mentioned above as communicated in the Official Journal of the European Union.

KEMA Quality B.V.

C.G. van Es
Certification Manager



Page 1/2

© Integral publication of this certificate and adjoining reports is allowed. This Certificate may only be reproduced in its entirety and without any change.

KEMA Quality B.V. Utrechtseweg 310, 6812 AR Arnhem P.O. Box 5185, 6802 ED Arnhem The Netherlands
T +31 26 3 56 20 00 F +31 26 3 52 58 00 customer@kema.com www.kema.com Registered Arnhem 09085396

Experience you can trust.

(13) **SCHEDULE**(14) **to Type Examination Certificate KEMA 09ATEX0096 X** Issue No. 1(15) **Description**

The CPG1000 series is a Precision Digital Pressure Gauge. There are ten pressure ranges: 15, 30, 100, 300, 500, 1000, 2,000, 3000, 5000 and 10,000 psi. The sensors may be bottom or back mounted. The case is about 10 cm in diameter and may be used as a hand held gauge or may be fixed in place.

Ambient temperature range -10 °C to +55 °C.

Electrical data

Supply: three in series connected AA alkaline cells.

Installation instructions

The manual provided with the equipment shall be followed in detail to assure safe operation.

Routine tests(16) **Test Report**

KEMA No. 212676200.

(17) **Special conditions for safe use**

The Pressure Gauge is not intended for use with flammable substances and is intended for installation only in locations providing adequate protection against the entry of solid foreign objects or water capable of impairing safety.

(18) **Essential Health and Safety Requirements**

Covered by the standards listed at (9).

(19) **Test documentation**

As listed in Test Report No. 212676200.



GB

Inhalt

1.	Allgemeines	36
2.	Sicherheit	38
2.1	Bestimmungsgemäße Verwendung	38
2.2	Personalqualifikation	39
2.3	Zusätzliche Sicherheitshinweise für Gerät nach ATEX	39
2.4	Besondere Gefahren	41
2.5	Beschilderung / Sicherheitskennzeichnungen	43
3.	Technische Daten	44
4	Aufbau und Funktion	49
4.1	Beschreibung	49
4.2	Lieferumfang	49
4.3	Frontfolie des CPG1000	50
4.4	Integrierter Datenlogger	50
4.5	Stromversorgung	50
4.5.1	Batteriewechsel	51
4.5.2	Batterielebensdauer	51
4.6	RS-232-Schnittstelle	51
4.7	Anschlüsse	51
5.	Transport, Verpackung und Lagerung	52
6.	Inbetriebnahme, Betrieb	53
6.1	Normalbetrieb	53
6.2	Setup und Konfiguration	53
6.3	Supervisormodus (Überwachungsmodus)	58
7.	Wartung, Reinigung und Service (Rekalibrierung)	59
8.	Störungen	60
9.	Demontage, Rücksendung und Entsorgung	61
10.	Zubehör	62
	Anlage 1: EG-Konformitätserklärung für CPG1000	63
	Anlage 2: EG-Baumusterprüfbescheinigung für CPG1000	64

Konformitätserklärungen finden Sie online unter www.wika.de.

1. Allgemeines

- Das in der Betriebsanleitung beschriebene Präzisions-Digitalmanometer Typ CPG1000 wird nach dem aktuellen Stand der Technik gefertigt.
Alle Komponenten unterliegen während der Fertigung strengen Qualitäts- und Umweltkriterien. Unsere Managementsysteme sind nach ISO 9001 und ISO 14001 zertifiziert.
- Diese Betriebsanleitung gibt wichtige Hinweise zum Umgang mit dem Gerät. Voraussetzung für sicheres Arbeiten ist die Einhaltung aller angegebenen Sicherheitshinweise und Handlungsanweisungen.
- Die für den Einsatzbereich des Gerätes geltenden örtlichen Unfallverhütungsvorschriften und allgemeinen Sicherheitsbestimmungen einhalten.
- Die Betriebsanleitung ist Produktbestandteil und muss in unmittelbarer Nähe des Gerätes für das Fachpersonal jederzeit zugänglich aufbewahrt werden.
- Das Fachpersonal muss die Betriebsanleitung vor Beginn aller Arbeiten sorgfältig durchgelesen und verstanden haben.
- Die Haftung des Herstellers erlischt bei Schäden durch bestimmungswidrige Verwendung, Nichtbeachten dieser Betriebsanleitung, Einsatz ungenügend qualifizierten Fachpersonals sowie eigenmächtiger Veränderung am Gerät.
- Es gelten die allgemeinen Geschäftsbedingungen in den Verkaufsunterlagen.
- Technische Änderungen vorbehalten.
- Werkskalibrierungen / DKD/DAkkS-Kalibrierungen erfolgen nach internationalen Normen.
- Weitere Informationen:
 - Internet-Adresse: www.wika.de / www.wika.com
 - zugehöriges Datenblatt: CT 10.01
 - Anwendungsberater: Tel.: (+49) 9372/132-9986
Fax: (+49) 9372/132-217
E-Mail: testequip@wika.de

Symbolerklärung



WARNUNG!

... weist auf eine möglicherweise gefährliche Situation hin, die zum Tod oder zu schweren Verletzungen führen kann, wenn sie nicht gemieden wird.



VORSICHT!

... weist auf eine möglicherweise gefährliche Situation hin, die zu geringfügigen oder leichten Verletzungen bzw. Sach- und Umweltschäden führen kann, wenn sie nicht gemieden wird.



Information

... hebt nützliche Tipps und Empfehlungen sowie Informationen für einen effizienten und störungsfreien Betrieb hervor.



GEFAHR!

... kennzeichnet Gefährdungen durch elektrischen Strom. Bei Nichtbeachtung der Sicherheitshinweise besteht die Gefahr schwerer oder tödlicher Verletzungen.



WARNUNG!

... weist auf eine möglicherweise gefährliche Situation im explosionsgefährdeten Bereich hin, die zum Tod oder zu schweren Verletzungen führen kann, wenn sie nicht gemieden wird.

2. Sicherheit

D



WARNUNG!

Vor Montage, Inbetriebnahme und Betrieb sicherstellen, dass das richtige CPG1000 hinsichtlich Messbereich, Ausführung und spezifischen Messbedingungen ausgewählt wurde.

Bei Nichtbeachten können schwere Körperverletzungen und/oder Sachschäden auftreten.



Weitere wichtige Sicherheitshinweise befinden sich in den einzelnen Kapiteln dieser Betriebsanleitung.

2.1 Bestimmungsgemäße Verwendung

Dieses Präzisions-Digitalmanometer CPG1000 kann als Kalibriergerät sowie für jede Anwendung, bei der eine hochgenaue Druckmessung erforderlich ist, verwendet werden.

Das Gerät ist ausschließlich für den hier beschriebenen bestimmungsgemäßen Verwendungszweck konzipiert und konstruiert und darf nur dementsprechend verwendet werden.

Die technischen Spezifikationen in dieser Betriebsanleitung sind einzuhalten. Eine unsachgemäße Handhabung oder ein Betreiben des Gerätes außerhalb der technischen Spezifikationen macht die sofortige Stilllegung und Überprüfung durch einen autorisierten WIKA-Servicemitarbeiter erforderlich.

Elektronische Präzisionsmessgeräte mit erforderlicher Sorgfalt behandeln (vor Nässe, Stößen, starken Magnetfeldern, statischer Elektrizität und extremen Temperaturen schützen, keine Gegenstände in das Gerät bzw. Öffnungen einführen). Stecker und Buchsen vor Verschmutzung schützen.

Wird das Gerät von einer kalten in eine warme Umgebung transportiert, so kann durch Kondensatbildung eine Störung der Gerätefunktion eintreten. Vor einer erneuten Inbetriebnahme die Angleichung der Gerätetemperatur an die Raumtemperatur abwarten.

Ansprüche jeglicher Art aufgrund von nicht bestimmungsgemäßer Verwendung sind ausgeschlossen.

2.2 Personalqualifikation



WARNUNG!

Verletzungsgefahr bei unzureichender Qualifikation!

Unsachgemäßer Umgang kann zu erheblichen Personen- und Sachschäden führen.

Die in dieser Betriebsanleitung beschriebenen Tätigkeiten nur durch Fachpersonal nachfolgend beschriebener Qualifikation durchführen lassen.

D

Fachpersonal

Das Fachpersonal ist aufgrund seiner fachlichen Ausbildung, seiner Kenntnisse der Mess- und Regelungstechnik und seiner Erfahrungen sowie Kenntnis der landesspezifischen Vorschriften, geltenden Normen und Richtlinien in der Lage, die beschriebenen Arbeiten auszuführen und mögliche Gefahren selbstständig zu erkennen.

Spezielle Einsatzbedingungen verlangen weiteres entsprechendes Wissen, z. B. über aggressive Medien.

2.3 Zusätzliche Sicherheitshinweise für Geräte nach ATEX



WARNUNG!

Die Nichtbeachtung dieser Inhalte und Anweisungen kann zum Verlust des Explosionsschutzes führen.

Das CPG1000 ist ein Präzisions-Digitalmanometer. Der Sensor wird unten oder rückseitig montiert. Das Gehäuse hat einen Durchmesser von etwa 10 cm und kann als Hand-Held Manometer verwendet oder fest montiert werden.

- Batteriebetrieb:
Nur AA-Alkalibatterien verwendet! Den Batterietausch nur außerhalb des explosionsgefährdeten Bereiches durchführen!
- Messgeräte mit externem Netzteil sind nicht für explosionsgefährdete Bereiche zugelassen.
- Der Betrieb der seriellen Schnittstelle ist im Ex-Bereich nicht zulässig.
- Temperaturbereich: -10 ... +55 °C



Zusätzliche Ex-Sicherheitshinweise:

Die Betriebshinweise sowie die jeweiligen Landesvorschriften bezüglich Ex-Einsatz (z. B. EN 60079-14) beachten.

Das Präzisions-Digitalmanometer ist nicht für den Einsatz mit brennbaren Stoffen bestimmt und ist nur für die Installation an Standorten geeignet, die ausreichend gegen Eindringen von festen Fremdkörpern oder Wasser, die die Sicherheit beeinträchtigen, geschützt sind.

Die Anweisungen in dieser Betriebsanleitung sind genau zu befolgen, um einen sicheren Betrieb zu gewährleisten.

D

Information/Zulassung für explosionsgefährdete Räume



WARNUNG!

■ Explosionsgefährdete Bereiche

Explosionsgefährdete Bereiche, wie in diesem Handbuch erwähnt, bezeichnen einen Bereich, der durch das mögliche Vorhandensein von entzündlichen oder explosiven Dämpfen explosionsgefährdet ist. Diese Bereiche werden auch als explosionsgefährdete Räume bezeichnet, siehe NFPA 70 Artikel 500.



® LR110460, Klasse I, Division 2, Gruppen A, B, C, D



II 3G Ex nA IIB T6
KEMA 09ATEX0096 X
 $T_a = -10 \dots +55 \text{ °C}$



WARNUNG!

Nur alkalibatteriebetriebene Präzisions-Digitalmanometer sind für den Einsatz in explosionsgefährdeten Räumen zugelassen. Präzisions-Digitalmanometer mit externer Spannungsversorgung sind nicht für den Einsatz in explosionsgefährdeten Räumen zugelassen.

Der Austausch von Bauteilen beeinträchtigt die Tauglichkeit für explosionsgefährdete Räume.

2.4 Besondere Gefahren



WARNUNG!

Die Angaben der geltenden Baumusterprüfbescheinigung sowie die jeweiligen landesspezifischen Vorschriften zur Installation und Einsatz in explosionsgefährdeten Bereichen (z. B. IEC 60079-14, NEC, CEC) einhalten. Bei Nichtbeachten können schwere Körperverletzungen und/oder Sachschäden auftreten.

Weitere wichtige Sicherheitshinweise für Geräte mit ATEX-Zulassung siehe Kapitel 2.3 „Zusätzliche Sicherheitshinweise für Geräte nach ATEX“.



WARNUNG!

- Das CPG1000 nur in drucklosem Zustand montieren bzw. demontieren.
- Betriebsparameter gemäß Kapitel 3 „Technische Daten“ beachten.
- Druckmessgerät immer innerhalb der Überlast-Druckgrenze betreiben.
- Bei gefährlichen Messstoffen wie z. B. Sauerstoff, Acetylen, brennbaren oder giftigen Stoffen, sowie bei Kälteanlagen, Kompressoren etc. müssen über die gesamten allgemeinen Regeln hinaus die einschlägigen Vorschriften beachtet werden.
- Wenn anzunehmen ist, dass das Präzisions-Digitalmanometer nicht mehr gefahrlos betrieben werden kann, so ist es außer Betrieb zu setzen und vor einer Wiederinbetriebnahme durch Kennzeichnung zu sichern.
- Die Beschaltung beim Anschluss an andere Geräte besonders sorgfältig konzipieren. Unter Umständen können interne Verbindungen in Fremdgeräten (z. B. Verbindung GND mit Erde) zu nicht erlaubten Spannungspotentialen führen, die das Präzisions-Digitalmanometer selbst oder ein angeschlossenes Gerät in seiner Funktion beeinträchtigen oder sogar zerstören können.
- Das Messsignal der Referenz (bzw. des Prüflings) kann durch massive elektromagnetische Einstrahlung beeinflusst werden bzw. die Anzeige des Signals ganz ausbleiben.
- Wird das CPG1000 bei Applikationen mit Druckmedium Öl verwendet, so ist ein anschließender Einsatz bei Brennstoffen oder Gasen auszuschließen, da dies zu gefährlichen Explosionen und Gefahr für Mensch und Maschine führen kann.
- Messstoffreste an ausgebauten Druckmessgeräten können zur Gefährdung von Personen, Umwelt und Einrichtung führen. Ausreichende Vorsichtsmaßnahmen ergreifen.



GEFAHR!

Lebensgefahr durch elektrischen Strom

Bei Betrieb mit einem defektem Netzgerät (z. B. Kurzschluss von Netzspannung zur Ausgangsspannung) können am Gerät lebensgefährliche Spannungen auftreten!

D

Spezielle Bedingungen für eine sichere Verwendung



WARNUNG!

Wurde das CPG1000 Überlast oder einem plötzlichen Schlag (z. B. Herunterfallen) ausgesetzt, muss es auf sicherheitsbedenkliche Schäden überprüft werden. In Zweifelsfällen das Präzisions-Digitalmanometer an WIKA zur Bewertung zurücksenden. Hinweise zur Rücksendung des CPG1000 siehe Kapitel 9.2 „Rücksendung“.

Das CPG1000 ist nicht für den Betrieb mit entzündlichen Stoffen gedacht und darf nur an Orten eingesetzt werden, die entsprechenden Schutz gegen das Eindringen von Fremdkörpern oder Wasser bieten, wodurch die Sicherheit beeinträchtigt werden könnte.



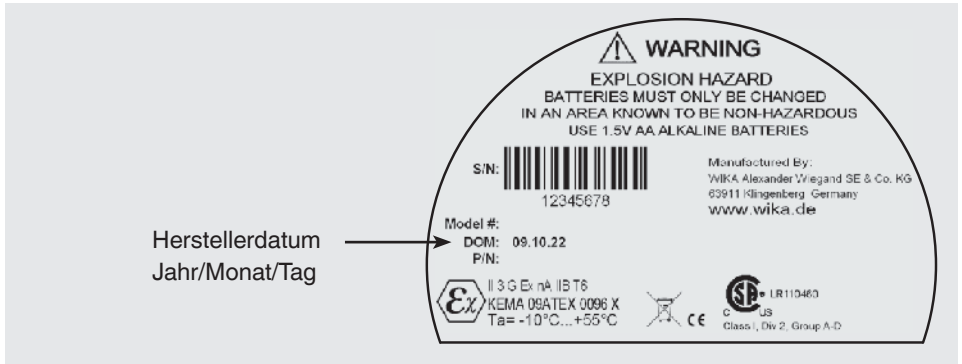
VORSICHT!

Um eine mögliche Schädigung des CPG1000 oder der Testeinrichtung zu vermeiden:

- Wenn die Meldung „OL“ angezeigt wird, ist der Messbereich überschritten und die Druckquelle muss sofort vom CPG1000 entfernt werden um einen Schaden am internen Sensor zu vermeiden.
- Das maximal zulässige Drehmoment des Gewindes beträgt 13,5 Nm = 10 ftlbs. Dieses zulässige Drehmoment darf **NIE** überschritten werden.
- Beim Anschrauben des NPT-Gewindes des CPG1000 an einen Adapter oder einen Druckanschluss ist zusätzlich die Verwendung eines Dichtmittels notwendig, z. B. Teflonband zwischen den Gewinden.
- Die Abdichtung muss direkt über das NPT-Gewinde mit Teflonband erfolgen und nicht über die Gewindehalterung am CPG1000.

2.5 Beschilderung/Sicherheitskennzeichnungen

Typenschild



Symbolerklärung



Vor Montage und Inbetriebnahme des Gerätes unbedingt die Betriebsanleitung lesen!



CSA, Canadian Standard Association®

Das Gerät wurde durch CSA International geprüft und zertifiziert. Geräte mit dieser Kennzeichnung stimmen überein mit den anwendbaren kanadischen Normen zur Sicherheit (einschließlich Explosionsschutz).



CE, Communauté Européenne

Geräte mit dieser Kennzeichnung stimmen überein mit den zutreffenden europäischen Richtlinien.



ATEX Europäische Explosionsschutz-Richtlinie

(Atmosphère = AT, explosible = EX)
Geräte mit dieser Kennzeichnung stimmen überein mit den Anforderungen der europäischen Richtlinie 94/9/EG (ATEX) zum Explosionsschutz.



Bei Geräten mit dieser Kennzeichnung wird darauf hingewiesen, dass diese nicht in den Hausmüll entsorgt werden dürfen. Die Entsorgung erfolgt durch Rücknahme bzw. durch entsprechende kommunale Stellen (siehe EU-Richtlinie 2002/96/EC).

3. Technische Daten

Sensorik

D

Messbereich	mbar	0 ... 70 ¹⁾						
Überlast-Druckgrenze	mbar	200						
Berstdruck	mbar	350						
Auflösung	mbar	0,001						
Messbereich	bar	0 ... 1	0 ... 2	-1 ... +1 ¹⁾	-1 ... +2 ¹⁾	0 ... 7		
Überlast-Druckgrenze	bar	4	4	4	4	14		
Berstdruck	bar	6	6	6	6	70		
Auflösung	bar	0,0001						
Messbereich	bar	0 ... 20	0 ... 35	0 ... 70	0 ... 140	0 ... 200	0 ... 350	0 ... 700
Überlast-Druckgrenze	bar	42	70	140	210	420	700	1.100
Berstdruck	bar	140	140	700	700	700	700	1.100
Auflösung	bar	0,001			0,01			
Messbereich	bar abs.	0 ... 1	0 ... 2	0 ... 7	0 ... 20			
Überlast-Druckgrenze	bar abs.	4	4	14	42			
Berstdruck	bar abs.	35	35	70	140			
Auflösung	bar abs.	0,0001			0,001			
Genauigkeit	0,05 % FS (0,1 % FS für Messbereiche 0 ... 70 mbar, -1 ... +1 bar und -1 ... +2 bar) (0,25 % FS für Vakuummessbereiche bei Geräten ab 7 bar bis max. 35 bar) ²⁾							
Kompensierter Temperaturbereich	0 ... 50 °C							
Temperaturkoeffizienten	0,005 % der Spanne/°C außerhalb von 0 ... 50 °C							
Druckart	Relativdruck, Absolutdruck (bis 20 bar abs) und Vakuummessbereiche							
Druckanschluss	¼ NPT außen (inkl. Adapter ¼ NPT innen auf G ½ außen) ³⁾							
Druckmedium	alle Flüssigkeiten und Gase die mit CrNi-Stahl 316 kompatibel sind ¹⁾							

1) Die so markierten Messbereiche ausschließlich mit sauberen nicht korrosiven Gasen verwenden.

2) Bei Messgeräten mit einem max. Messbereich von bis zu 2 bar ist der Betrieb im Vakuummessbereich auf -350 mbar begrenzt. (Ausgenommen sind die Messbereiche -1 ... +1 bar und -1 ... +2 bar.) Die Messbereiche ≥ 7 bar können mit vollem Vakuum beaufschlagt werden.

3) Adapter nicht im Lieferumfang für Nordamerika.

3. Technische Daten

Grundgerät

Anzeige

Display 5 1/2-stellige Anzeige, Ziffernhöhe 16,53 mm (0,65")
20 Segment-Bargraph, 0 ... 100 %

Druckeinheiten psi, bar, mbar, Kg/cm², inH₂O (4 °C, 20 °C oder 60 °F), ft H₂O (4 °C, 20 °C oder 60 °F), cmH₂O (4 °C und 20 °C), mH₂O (4 °C und 20 °C), kPa, MPa, inHg, mmHg, TORR, mSW, ft SW, benutzerdefinierte Einheit

Funktionen

Messrate 0,5/sek. bis 10/sek. auswählbar

Speicher MIN/MAX, integrierter Datenlogger

Datenlogger ⁴⁾ Zyklischer Logger: automatische Aufzeichnung von bis zu 8.500 Werten;
Zykluszeit: wählbar von 1 ... 3.600 sek. in folgenden Schritten
1 sek., 2 sek., 5 sek., 10 sek., 30 sek., 1 min, 2 min, 5 min, 10 min, 30 min und 1 Std.

Werkstoff

Messstoffberührte Teile CrNi-Stahl 316

Gehäuse CrNi-Stahl

Spannungsversorgung

Hilfsenergie 3 x 1,5 V AA-Alkalibatterien

Batterielebensdauer ca. 1.500 Std. ohne Hintergrundbeleuchtung
ca. 2.000 Std. bei geringer Messrate

Batteriestandsanzeige Symbolanzeige im Display bei niedrigem Batteriestand

Zulässige Umgebungsbedingungen

Betriebstemperatur -10 ... +55 °C

Messstofftemperatur -10 ... +55 °C (untere Temperaturgrenze über Gefrierpunkt des Mediums)

Lagertemperatur -20 ... +70

Relative Luftfeuchte < 95 % r. F. (nicht betauend)

Kommunikation

Schnittstelle USB, RS-232

Gehäuse

Abmessungen 111 x 127 x 38 mm

Schutzart IP 65

Gewicht ca. 455 g

D

3. Technische Daten

Zulassungen und Zertifikate

CE-Konformität

EMV-Richtlinie	2004/108/EG, EN 61326-1 Emission (Gruppe 1, Klasse B) und Störfestigkeit (Anhang A)
ATEX-Richtlinie	II 3G Ex nA IIB T6
CSA-Richtlinie	Klasse I, Division 2, Gruppe A, B, C, D

Zertifikat

Kalibrierung	Kalibrierzertifikat 3.1 nach DIN EN 10204 Option: DKD/DAkKS-Kalibrierzertifikat
--------------	--

Weitere technische Daten siehe WIKA-Datenblatt CT 10.01 und Bestellunterlagen.



Weitere wichtige Sicherheitshinweise für den Betrieb in explosionsgefährdeten Bereichen siehe Kapitel 2.3 „Zusätzliche Sicherheitshinweise für Geräte nach ATEX“.

Verfügbare Messbereiche und Auflösungen

Messbereiche und Faktoren, Teil 1

	Messbereich in bar	0 ... 0,07	0 ... 1 -1 ... +1	0 ... 2 -1 ... +2	0 ... 7	0 ... 20	0 ... 35
Einheit	Umrechnungsfaktor						
psi	1	1,0000	15,000	30,000	100,00	300,00	500,00
bar	0,06894757	0,0689	1,0342	2,0684	6,8948	20,684	34,474
mbar	68,94757	68,948	1.034,2	2.068,4	6.894,8	20.684	34.474
kPa	6,894757	6,8948	103,42	206,84	689,48	2.068,4	3.447,4
MPa	0,00689476	0,0069	0,1034	0,2068	0,6895	2,0684	3,4474
kg/cm ²	0,07030697	0,0703	1,0546	2,1092	7,0307	21,092	35,153
mmHg (0 °C)	51,71507	51,715	775,73	1.551,5	5.171,5	15.515	25.858
inHg (0 °C)	2,03603	2,0360	30,540	61,081	203,60	610,81	1.018,0
cmH ₂ O (4 °C)	70,3089	70,309	1.054,6	2.109,3	7.030,9	21.093	35.154
cmH ₂ O (20 °C)	70,4336	70,434	1.056,5	2.113,0	7.043,4	21.130	35.217
mmH ₂ O (4 °C)	703,089	703,09	10.546	21.093	70.309	-- 1)	-- 1)
mmH ₂ O (20 °C)	704,336	704,34	10.565	21.130	70.434	-- 1)	-- 1)
mH ₂ O (4 °C)	0,703089	0,7031	10,546	21,093	70,309	210,93	351,54
mH ₂ O (20 °C)	0,704336	0,7043	10,565	21,130	70,434	211,30	352,17
inH ₂ O (4 °C)	27,68067	27,681	415,21	830,42	2.768,1	8.304,2	13.840
inH ₂ O (20 °C)	27,72977	27,730	415,95	831,89	2.773,0	8.318,9	13.865
inH ₂ O (60 °F)	27,70759	27,708	415,61	831,23	2.770,8	8.312,3	13.854
ftH ₂ O (4 °C)	2,306726	2,3067	34,601	69,202	230,67	692,02	1.153,4

3. Technische Daten

Messbereiche und Faktoren, Teil 1

	Messbereich in bar	0 ... 0,07	0 ... 1	0 ... 2	0 ... 7	0 ... 20	0 ... 35
			-1 ... +1	-1 ... +2			
Einheit	Umrechnungsfaktor						
ftH ₂ O (20 °C)	2,310814	3,3108	34,662	69,324	231,08	693,24	1.155,4
ftH ₂ O (60 °F)	2,308966	2,3090	34,634	69,269	230,90	692,69	1.154,5
ft sea water	2,24719101	2,2472	33,708	67,416	224,72	674,16	1.123,6
m sea water	0,68494382	0,6849	10,274	20,548	68,494	205,48	342,47
Torr	51,71507	51,715	775,73	1.551,5	5.171,5	15.515	25.858

Messbereiche und Faktoren, Teil 2

	Messbereich in bar	0 ... 70	0 ... 140	0 ... 200	0 ... 350	0 ... 700
Einheit	Umrechnungsfaktor					
psi	1	1.000,0	2.000,0	3.000,0	5.000,0	10.000
bar	0,06894757	68,948	137,90	206,84	344,74	689,48
mbar	68,94757	68,948	-- 1)	-- 1)	-- 1)	-- 1)
kPa	6,894757	6.894,8	13.790	20.684	34.474	68.948
MPa	0,00689476	6,8948	13,790	20,684	34,474	68,948
kg/cm ²	0,07030697	70,307	140,61	210,92	351,53	703,07
mmHg (0 °C)	51,71507	51.715	-- 1)	-- 1)	-- 1)	-- 1)
inHg (0 °C)	2,03603	2.036,0	4.072,1	6.108,1	10.180	20.360
cmH ₂ O (4 °C)	70,3089	70.309	-- 1)	-- 1)	-- 1)	-- 1)
cmH ₂ O (20 °C)	70,4336	70.434	-- 1)	-- 1)	-- 1)	-- 1)
mmH ₂ O (4 °C)	703,089	-- 1)	-- 1)	-- 1)	-- 1)	-- 1)
mmH ₂ O (20 °C)	704,336	-- 1)	-- 1)	-- 1)	-- 1)	-- 1)
mH ₂ O (4 °C)	0,703089	703,09	1.406,2	2.109,3	3.515,4	7.030,9
mH ₂ O (20 °C)	0,704336	704,34	1.408,7	2.113,0	3.521,7	7.043,4
inH ₂ O (4 °C)	27,68067	27.681	55.361	83.042	-- 1)	-- 1)
inH ₂ O (20 °C)	27,72977	27.730	55.460	83.189	-- 1)	-- 1)
inH ₂ O (60 °F)	27,70759	27.708	55.415	83.123	-- 1)	-- 1)
ftH ₂ O (4 °C)	2,306726	2.306,7	4.613,5	6.920,2	11.534	23.067
ftH ₂ O (20 °C)	2,310814	2.310,8	4.621,6	6.932,4	11.554	23.108
ftH ₂ O (60 °F)	2,308966	2.309,0	4.617,9	6.926,9	11.545	23.090
ft sea water	2,24719101	2.247,2	4.494,4	6.741,6	11.236	22.472
m sea water	0,68494382	684,94	1.369,9	2.054,8	3.424,7	6.849,4
Torr	51,71507	51.715	-- 1)	-- 1)	-- 1)	-- 1)

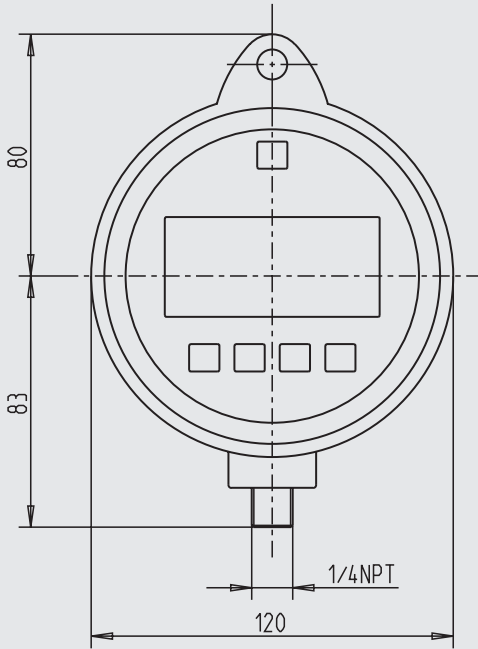
1) Wegen der begrenzten Displayauflösung können hier keine Werte angezeigt werden. Die Auflösung ist auf 100.000 Digits begrenzt.

3. Technische Daten

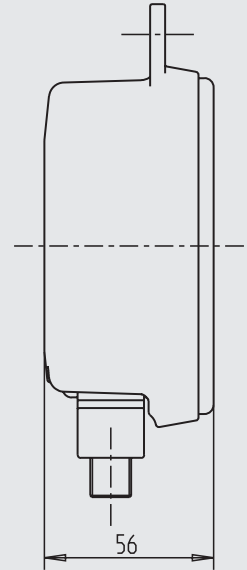
Abmessungen in mm

D

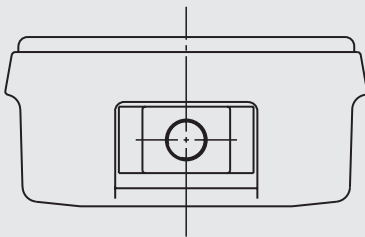
Frontansicht



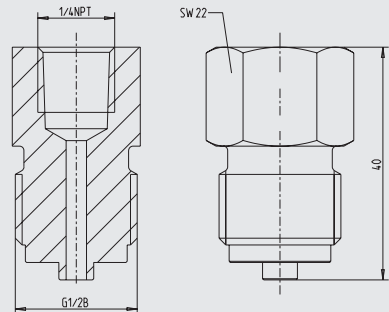
Seitenansicht



Ansicht von unten



mitgelieferter Adapter



4. Aufbau und Funktion

4.1 Beschreibung

Das CPG1000 vereint die hohe Genauigkeit der Digitaltechnik mit dem Komfort und der einfachen Handhabung eines analogen Prüfmanometers. Mit einer Genauigkeit von $\pm 0,05$ % FS kann das CPG1000 als Kalibriergerät verwendet werden sowie für jede Anwendung, bei der eine hochgenaue Druckmessung erforderlich ist.

Viele benutzerdefinierbare Funktionen wurden in das CPG1000 integriert (z. B. Abtast-rate, Tara, Dämpfung, automatische Abschaltung und Min-Max-Messung). Sobald das Präzisions-Digitalmanometer konfiguriert ist, können die Einstellungen mit einem Passwort gesichert werden, um unbefugte Veränderungen der Konfiguration zu verhindern.

4.2 Lieferumfang

- Präzisions-Digitalmanometer Typ CPG1000
- Betriebsanleitung
- Kalibrierzertifikat 3.1 nach DIN EN 10204
- 3 x 1,5 V AA-Alkalibatterien
- Adapter 1/4 NPT innen auf G 1/2 außen ¹⁾
- Gummischutzkappe für Gehäuse

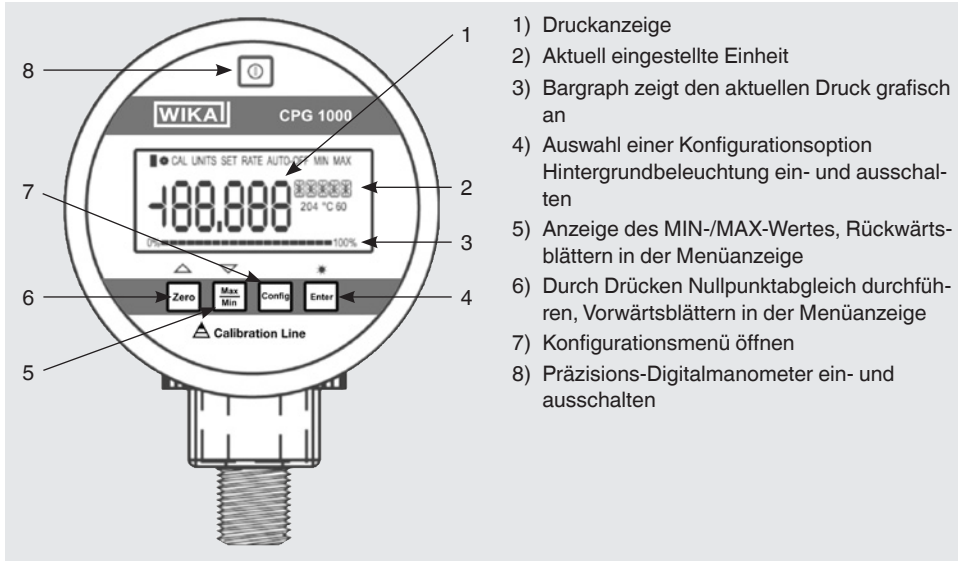
1) Nicht im Lieferumfang für Nordamerika

Lieferumfang mit dem Lieferschein abgleichen.

Die Alkalibatterien sind bereits ab Werk eingesetzt, sofern es sich nicht um die Version mit einer optionalen Spannungsversorgung von DC 24 V handelt. In diesem Fall sind die Alkalibatterien nicht Teil des Lieferumfangs.

4. Aufbau und Funktion

4.3 Frontfolie des CPG1000



4.4 Integrierter Datenlogger

Ab Firmware-Version 3.00 verfügt das CPG1000 über einen integrierten Datenlogger. Dieser Datenlogger kann mit der Software CPGLog aktiviert und bedient werden. Hierzu die separate CPGLog Betriebsanleitung beachten.

4.5 Externe Spannungsversorgung

Die Standardversion wird mit drei AA-Alkalibatterien geliefert. Bei der optional erhältlichen Version mit einer externen Spannungsversorgung mit DC 24 V sind die Alkalibatterien nicht installiert. Die DC 24 V Spannungsversorgung mit den Anschlussklemmen an der Rückseite des Messgeräts verbinden. Auf korrekte Polarität achten. Keine Batterien einsetzen, wenn eine externe Hilfsenergie verwendet wird.



WARNUNG!

Vor dem Verbinden des Netzgerätes mit dem Spannungsversorgungsnetz ist sicherzustellen, dass die am Netzgerät angegebene Betriebsspannung mit der Netzspannung übereinstimmt.

Präzisions-Digitalmanometer mit externem Netzteil werden ohne eingelegte Batterien geliefert. Bei Betrieb mit einer externen Spannungsquelle dürfen **KEINE** Batterien eingesetzt werden. Messgeräte mit externem Netzteil sind nicht für explosionsgefährdete Bereiche zugelassen.

4.5.1 Batteriewechsel



WARNUNG!

Die Alkalibatterien nicht im explosionsgefährdeten Bereich wechseln!

Die Blende des CPG1000 ca. 90° nach links drehen und abnehmen. Daraufhin kann die Frontplatte des Präzisions-Digitalmanometer abgenommen werden und das Batteriefach ist zugänglich. Drei Alkalibatterien der Größe AA mit korrekter Polarität einsetzen.



WARNUNG!

Ausschließlich AA-Alkalibatterien verwenden und auf korrekte Polarität achten. Beim Zusammenbau des Gehäuses sicherstellen, dass die Vorderseite richtig ausgerichtet ist.

4.5.2 Batterielebensdauer

Die Batterielebensdauer beträgt 1.500 Stunden (62 Tage) bei Dauerbetrieb (ohne Hintergrundbeleuchtung). In der unteren linken Ecke der Anzeige befindet sich ein Symbol für die Batteriekapazität. Dieses Symbol erscheint, wenn die Batteriespannung zu niedrig ist. Hinweise zur Batterie siehe Kapitel 3 „Technische Daten“.

4.6 RS-232-Schnittstelle

Das CPG1000 besitzt standardmäßig eine Schnittstelle RS-232. Als Schnittstellenwandler darf nur der von WIKA hierfür angebotene eingesetzt werden. Die serielle Datenübertragung kann zur Konfiguration, Kalibrierung und zur Übertragung von Messwerten des Messgeräts verwendet werden.



WARNUNG!

Die RS-232-Schnittstelle darf nicht in explosionsgefährdeten Bereichen betrieben werden.

4.7 Anschlüsse

Das CPG1000 benutzt einen Außengewindeanschluss ¼ NPT als Druckeingang. Standardmäßig ist ein Adapter auf Außengewinde G ½ im Lieferumfang. Zum Anschluss an das Druckvergleichsnormale können verschiedene Adapter erforderlich sein. Beim Anschrauben des NPT-Gewindes des CPG1000 an einen Adapter oder einen Druckanschluss ist zusätzlich die Verwendung eines Dichtmittels notwendig, z. B. Teflonband zwischen den Gewinden. Der Schlauch, die Leitungen und Verschraubungen usw. müssen immer mindestens für den Arbeitsdruck zugelassen sein, der dem Druck des Geräts entspricht. Außerdem darf bei Durchführung der Kalibrierung keine Leckstelle vorhanden sein, gegebenenfalls mit Teflonband abdichten.

5. Transport, Verpackung und Lagerung

5.1 Transport

Das Präzisions-Digitalmanometer auf eventuell vorhandene Transportschäden untersuchen. Offensichtliche Schäden unverzüglich mitteilen.

D

5.2 Verpackung

Verpackung erst unmittelbar vor der Montage entfernen.

Die Verpackung aufbewahren, denn diese bietet bei einem Transport einen optimalen Schutz (z. B. wechselnder Einbauort, Reparatursendung).

5.3 Lagerung

Zulässige Bedingungen am Lagerort:

- Lagertemperatur: -20 ... +70 °C
- Feuchtigkeit: 0 ... 90 % relative Feuchte (keine Betauung)

Folgende Einflüsse vermeiden:

- Direktes Sonnenlicht oder Nähe zu heißen Gegenständen
- Mechanische Vibration, mechanischer Schock (hartes Aufstellen)
- Ruß, Dampf, Staub und korrosive Gase

Das CPG1000 in der Originalverpackung an einem Ort lagern, der die oben gelisteten Bedingungen erfüllt. Wenn die Originalverpackung nicht vorhanden ist, dann das Gerät wie folgt verpacken und lagern:

1. Das Gerät in eine antistatische Plastikfolie einhüllen.
2. Das Gerät mit dem Dämmmaterial in der Verpackung platzieren.
3. Bei längerer Einlagerung (mehr als 30 Tage) einen Beutel mit Trocknungsmittel der Verpackung beilegen.



WARNING!

Vor der Einlagerung des Gerätes (nach Betrieb) alle anhaftenden Messstoffreste entfernen. Dies ist besonders wichtig, wenn der Messstoff gesundheitsgefährdend ist, wie z. B. ätzend, giftig, krebserregend, radioaktiv, usw.

6. Inbetriebnahme, Betrieb



Prüf- und Kalibrieraufbauten nur im drucklosen Zustand (Atmosphäre) aufbauen.

Die Einschalttaste kurz drücken, um das Präzisions-Digitalmanometer zu aktivieren. Die Taste erneut drücken, um es auszuschalten.

Nach dem Einschalten wird für ca. 1 Sekunde im Display die Version der Firmware angezeigt.

6.1 Normalbetrieb

Hintergrundbeleuchtung ein- und ausschalten: Die Eingabetaste drücken.

Zurückstellung der Anzeige auf 0: Die ZERO-Taste drücken.



Bei Absolutdruckgeräten nach Betätigen der ZERO-Taste den barometrischen Referenzwert eingeben. Die Tasten ▲ und ▼ zum Einstellen des Wertes verwenden. Danach mit ENTER bestätigen. Den ab Werk eingestellten Referenzwert beibehalten, da hiermit die Kalibrierung durchgeführt wurde.

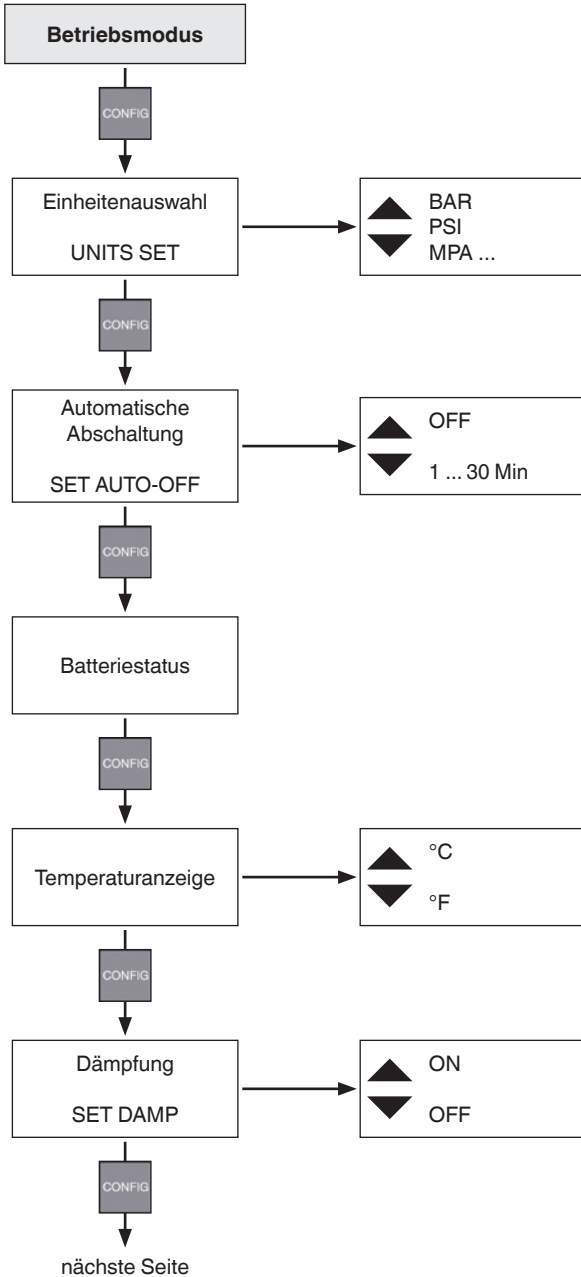
MAX/MIN: Das CPG1000 speichert den Minimal- und Maximaldruck im Speicher. Bei einmaliger Betätigung der Taste MAX/MIN wird der Maximaldruck aus dem Speicher angezeigt. Bei erneuter Betätigung der Taste MAX/MIN wird der Minimaldruck aus dem Speicher angezeigt. Nach 2 Sekunden schaltet das CPG1000 wieder zurück auf den Normalbetrieb. Zum Löschen des Speichers mit den Werten für MAX/MIN die Taste MAX/MIN mindestens 2 Sekunden lang gedrückt halten, bis die Meldung „CLR“ angezeigt wird. Der Bargraph am unteren Rand der Anzeige zeigt den anliegenden Druck im Verhältnis zum Gesamtmessbereich. Wenn für das CPG1000 ein TARA-Wert programmiert wurde, entspricht der angezeigte Druck nicht dem tatsächlich anliegenden Druck.

6.2 Setup und Konfiguration

Die CONFIG-Taste drücken, um die vom Benutzer einstellbaren Funktionen des CPG1000 aufzurufen. Immer wenn die CONFIG-Taste gedrückt wird, schaltet die Anzeige zur nächsten Funktion weiter. Sobald eine Funktion konfiguriert ist, die Eingabetaste drücken, um das Konfigurationsmenü zu schließen, oder die CONFIG-Taste drücken, um die Konfiguration fortzusetzen.

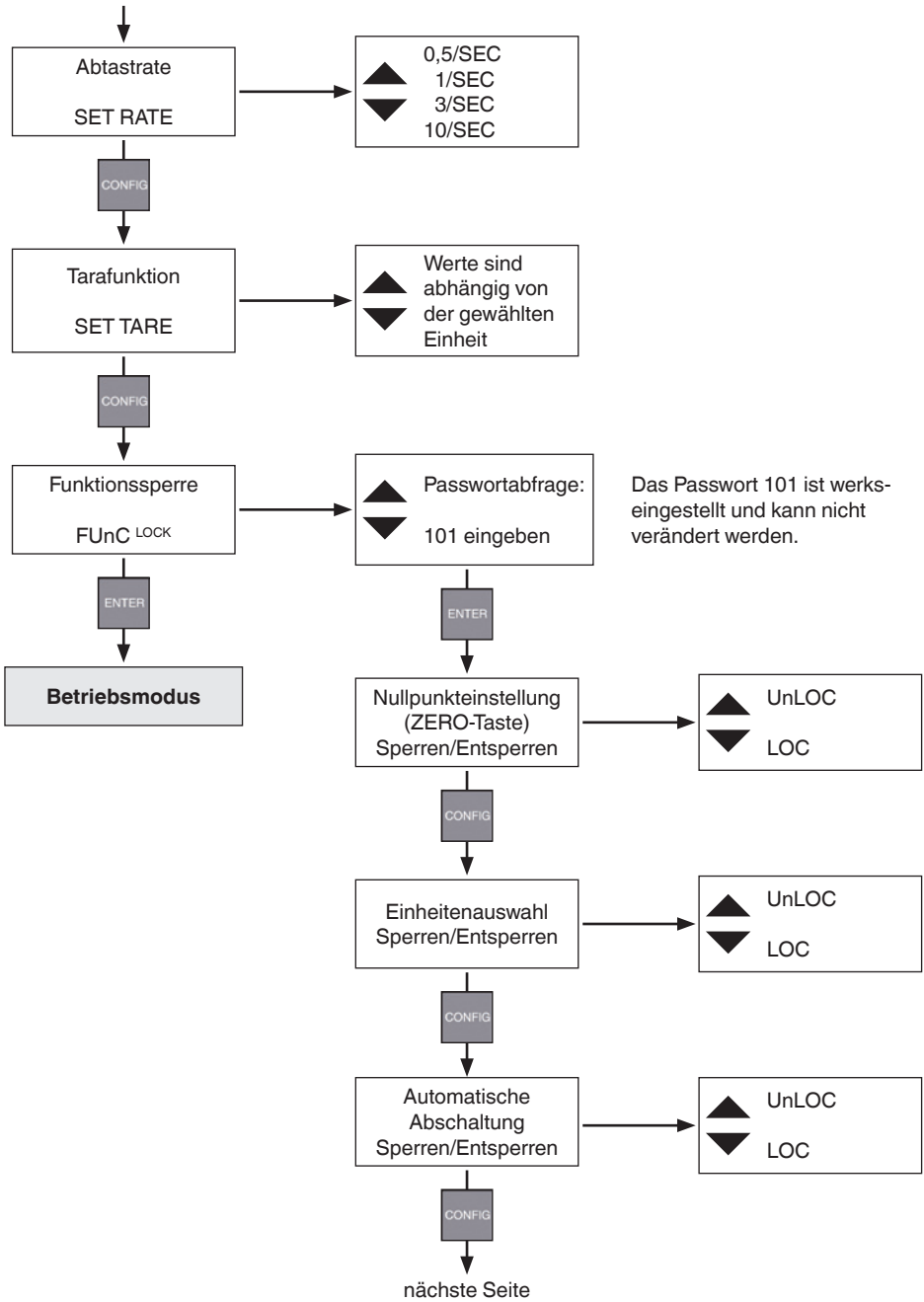
Menüführung

D



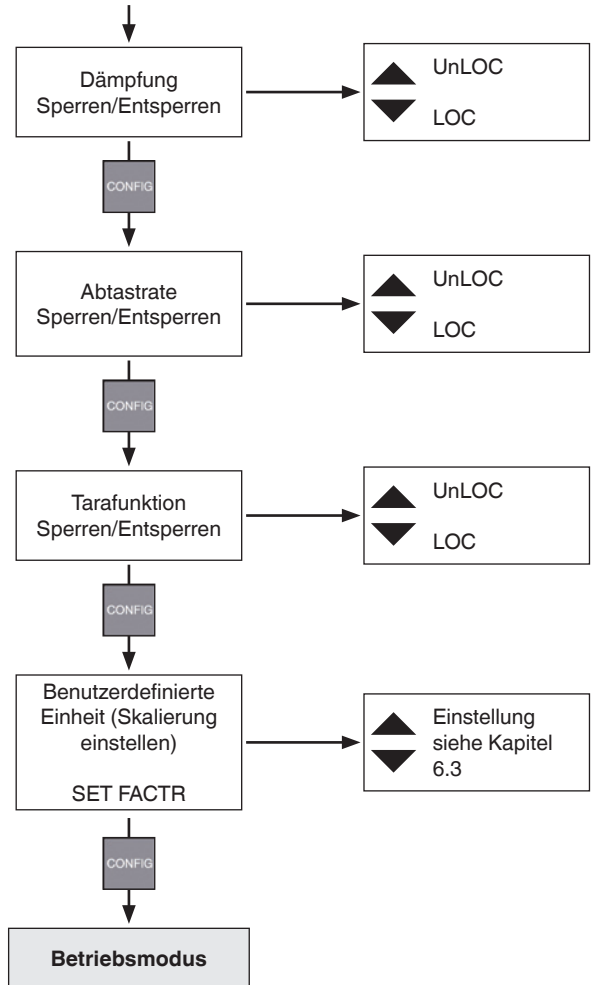
6. Inbetriebnahme, Betrieb

D



11568047.02 08/2012 GE/D

D



Druckeinheiten

Das CPG1000 ist ab Werk für die Anzeige von „PSI“ konfiguriert. Mit den Tasten ▲ und ▼ (ZERO und MAX/MIN) lassen sich die 18 standardmäßig definierten technischen Einheiten sowie die benutzerdefinierte Einheit bzw. Skala nach vorn und hinten durchblättern. Wenn die gewünschte Maßeinheit angezeigt wird, die Eingabetaste oder die Taste CONFIG drücken. Der Druck wird dann in der ausgewählten technischen Maßeinheit angezeigt. Eine Liste der verfügbaren technischen Maßeinheiten siehe Kapitel 3 „Technische Daten“ dieser Betriebsanleitung. Details über die Konfiguration benutzerdefinierter Maßeinheiten siehe Kapitel 6.3 „Supervisormodus“.

Automatische Abschaltung

Die Funktion zur automatischen Abschaltung kann in Schritten von 1 Minute zwischen 1 und 30 Minuten eingestellt oder ausgeschaltet werden (Dauerbetrieb). Das Präzisions-Digitalmanometer wird mit einer automatischen Abschaltung nach 30 Minuten ausgeliefert. Mit den Tasten ▲ und ▼ das gewünschte Intervall definieren. Die Einstellung OFF (Aus) befindet sich ganz am Ende der Optionen unter der Einstellung für 1 Minute.

Batteriespannung anzeigen

Es wird die aktuelle Batteriespannung sowie die verbleibende Nutzungsdauer der Batterie als Balkengrafik angezeigt.

Anzeige der aktuellen Temperatur

Das CPG1000 ist temperaturkompensiert. Diese Option zeigt die vom internen Sensor gemessene Temperatur an. Der Wert kann mit den Pfeiltasten in Grad Fahrenheit oder Grad Celsius angezeigt werden.

Dämpfung einstellen

Mit den Tasten ▲ und ▼ lässt sich diese Option ein- und ausschalten. Bei eingeschalteter Dämpfung werden die Messwerte von pulsierenden Druckquellen geglättet.

Abtastrate konfigurieren

Die Abtastrate legt fest, wie oft der Druck gemessen und die Anzeige aktualisiert wird. Optionen sind 0,5, 1, 3 und 10 Messungen pro Sekunde. Die kürzeste Reaktionszeit ist 10 Messungen pro Sekunde.

TARE (Tara einstellen)

Mit dieser Option kann ein konstanter Offsetwert eingestellt werden, der dann von dem gemessenen Druck subtrahiert wird. Ist TARE beispielsweise auf 30 bar eingestellt und wird ein Druck von 37 bar gemessen, wird als Messwert 7 bar angezeigt. Ein Druck von 27 bar würde dann als -3 bar angezeigt werden. Der Wert TARE wird manuell mit den Tasten ▲ und ▼ eingestellt und hängt von den technischen Maßeinheiten und der für die Anzeige ausgewählten Auflösung ab. Der Wert TARE kann auf den maximalen Anzeigebereich eingestellt werden. Die Balkengrafik zeigt immer den tatsächlichen Druck in Abhän-

gigkeit vom gesamten Messbereich, unabhängig von der Tara-Einstellung an. Dies erfolgt aus Sicherheitsgründen, damit auch bei der Anzeige „0“ dargestellt wird, dass der betreffende Druck am Manometer anliegt.

Funktionssperre

D

Der Zugriff auf die einstellbaren Parameter kann nach Einstellung unterteilt deaktiviert werden, um Änderungen der Konfiguration durch Unbefugte zu verhindern. Erreicht wird dies durch den kennwortgeschützten „Supervisormodus“. Die Eingabetaste drücken, um den Supervisormodus aufzurufen, oder die CONFIG-Taste, um wieder zum normalen Betrieb zurückzukehren.

6.3 Supervisormodus (Überwachungsmodus)

Sobald die Meldung „FUnC LOCK“ angezeigt wird, die Eingabetaste drücken. Auf dem Display erscheint die Meldung 0PWRD. Das Kennwort für den Supervisormodus ist 101. Eingegeben wird es mit den Tasten ▲ und ▼. Wird eine Taste dauerhaft gedrückt, scrollt die Anzeige schneller durch und die Einstellungen können schneller eingegeben werden. Das Kennwort ist ab Werk vordefiniert und kann nicht geändert werden.

1. Der CPG1000 wird ab Werk so ausgeliefert, dass der Zugang zu allen Einstellungen freigegeben ist und alle Einstellungen geändert werden können.
2. Im Supervisormodus kann jeder Parameter mit den Tasten ▲ und ▼ gesperrt oder entsperrt werden. Parameter, die nicht allgemein zugänglich sein sollen, werden mit der Option LOG (sperrern) gesperrt und mit der Option UnLOC (entsperrern) entsperrt.
3. Die Funktionen, die gesperrt, entsperrt oder aufgerufen werden können, sind:
 - Zero (aktivieren/deaktivieren)
 - Druckeinheiten einstellen (aktivieren/deaktivieren)
 - Einstellung der automatischen Abschaltung (aktivieren/deaktivieren)
 - Dämpfungseinstellungen (aktivieren/deaktivieren)
 - Einstellung der Abtastrate (aktivieren/deaktivieren)
 - Tara-Einstellung (aktivieren/deaktivieren)
 - Benutzerdefinierte technische Einheiten (Skalierfaktor einstellen)
4. Mit der CONFIG-Taste die oben erwähnten Optionen suchen und mit den Tasten ▲ und ▼ Funktionen sperren und entsperren. Zum Durchblättern der Parameter die CONFIG-Taste drücken und zum Speichern der Einstellungen und zur Zurückschaltung des CPG1000 auf Normalbetrieb die Eingabetaste drücken. Wenn eine Funktion gesperrt ist, kann sie weder aufgerufen noch der aktuelle Zustand geändert werden. Um eine gesperrte Funktion zu ändern, den Supervisormodus aufrufen und die Funktion entsperren. Sobald sie geändert wurde, gegebenenfalls wieder den Supervisormodus aufrufen, um sie wieder zu sperren.

5. Einstellung einer benutzerdefinierten Einheit oder eines benutzerdefinierten Messbereichs: Die letzte Menüoption im Supervisormodus ist SET FACTOR. Mit dieser Option lässt sich ein Multiplikator zwischen 0,001 und 100 für einen benutzerdefinierten Messbereich definieren. Der definierte Faktor wird mit dem gemessenen Druckwert in psi multipliziert. Das Ergebnis wird angezeigt. Beispiel: 40 psi entsprechen 1.000 g eines Produkts in einem Tank. Auf der Anzeige soll das Gewicht des Produkts erscheinen, verwendet wird ein Manometer für 100 psi. Wenn als Multiplikator 25 definiert wird, entspricht ein Druck von 40 psi dem Wert 1.000 (40 x 25). Als technische Einheit wird auf dem Gerät „CUST“ angezeigt.

7. Wartung, Reinigung und Service (Rekalibrierung)

7.1 Wartung

Das Präzisions-Digitalmanometer CPG1000 ist wartungsfrei.

Reparaturen sind ausschließlich vom Hersteller durchzuführen. Ausgenommen ist der Austausch der Alkalibatterie.

7.2 Reinigung



VORSICHT!

- Vor der Reinigung das CPG1000 ordnungsgemäß von der Druckversorgung trennen, ausschalten und vom Netz trennen.
- Das Gerät mit einem feuchten Tuch reinigen.
- Elektrische Anschlüsse nicht mit Feuchtigkeit in Berührung bringen.
- Messstoffreste im ausgebauten Gerät können zur Gefährdung von Personen, Umwelt und Einrichtung führen. Ausreichende Vorsichtsmaßnahmen ergreifen.



Hinweise zur Rücksendung des Gerätes siehe Kapitel 9.2 „Rücksendung“.


7.3 Rekalibrierung

DKD-Schein - amtliche Bescheinigungen:

Es wird empfohlen, das Gerät in regelmäßigen Zeitabständen von ca. 12 Monaten durch den Hersteller recalibrieren zu lassen. Jede werksseitige Rekalibrierung beinhaltet außerdem eine umfangreiche und kostenfreie Überprüfung aller Systemparameter auf Einhaltung der Spezifikationen. Die Grundeinstellungen werden wenn notwendig korrigiert.

8. Störungen

8. Störungen

Anzeige	Ursache	Maßnahmen
	Batteriespannung schwach, Funktion ist nur noch kurze Zeit gewährleistet	Neue Alkalibatterien einsetzen
OL -OL	Messbereich weit über- oder unterschritten	Prüfen: liegt Druck in zulässigem Messbereich des Sensors?
Keine Anzeige bzw. wirre Zeichen, Gerät reagiert nicht auf Tastendruck	Batterie ist leer	Neue Alkalibatterien einsetzen
	Netzgerätebetrieb: falsche Spannung/Polung	Netzgerät überprüfen/austauschen
	Systemfehler	CPG1000 ausschalten, kurz warten, wieder einschalten
	CPG1000 defekt	Zur Reparatur einschicken



VORSICHT!

Können Störungen mit Hilfe der oben aufgeführten Maßnahmen nicht beseitigt werden, ist das CPG1000 unverzüglich außer Betrieb zu setzen, sicherzustellen, dass kein Druck bzw. Signal mehr anliegt und gegen versehentliche Inbetriebnahme zu schützen.

In diesem Falle Kontakt mit dem Hersteller aufnehmen.

Bei notwendiger Rücksendung die Hinweise unter Kapitel 9.2 „Rücksendung“ beachten.

9. Demontage, Rücksendung und Entsorgung



WARNUNG!

Messstoffreste am ausgebauten Präzisions-Digitalmanometern können zur Gefährdung von Personen, Umwelt und Einrichtung führen. Ausreichende Vorsichtsmaßnahmen ergreifen.

D

9.1 Demontage

Prüf-/und Kalibrierlaufbauten nur im drucklosen Zustand demontieren!

9.2 Rücksendung



WARNUNG!

Beim Versand des Gerätes unbedingt beachten:

Alle an WIKA gelieferten Geräte müssen frei von Gefahrstoffen (Säuren, Laugen, Lösungen, etc.) sein.

Zur Rücksendung des Gerätes die Originalverpackung oder eine geeignete Transportverpackung verwenden.

Um Schäden zu vermeiden:

1. Das Gerät in eine antistatische Plastikfolie einhüllen.
2. Das Gerät mit dem Dämmmaterial in der Verpackung platzieren. Zu allen Seiten der Transportverpackung gleichmäßig dämmen.
3. Wenn möglich einen Beutel mit Trocknungsmittel der Verpackung beifügen.
4. Sendung als Transport eines hochempfindlichen Messgerätes kennzeichnen.



Hinweise zur Rücksendung befinden sich in der Rubrik „Service“ auf unserer lokalen Internetseite.

9.3 Entsorgung

Durch falsche Entsorgung können Gefahren für die Umwelt entstehen.

Gerätekomponenten und Verpackungsmaterialien entsprechend den landesspezifischen Abfallbehandlungs- und Entsorgungsvorschriften umweltgerecht entsorgen.



Bei Geräten mit dieser Kennzeichnung wird darauf hingewiesen, dass diese nicht in den Hausmüll entsorgt werden dürfen. Die Entsorgung erfolgt durch Rücknahme bzw. durch entsprechende kommunale Stellen (siehe EU-Richtlinie 2002/96/EC).

10. Zubehör

Anschlussadapter

- Diverse Druckanschlussadapter

D

Druckerzeugung

- Pneumatische Prüfpumpen
- Hydraulische Prüfpumpen

Prüfkoffer

- Diverse Kalibrierkoffer inkl. Druckerzeugung

Software

- Datenlogger-Auswertesoftware CPGLog
- USB-Schnittstellenkabel
- RS-232-Schnittstellenkabel
- USB-Serial-Adapter

Einbau

- Montageflansch (nur bei rückseitigem Prozessanschluss)

Sonstiges

- DKD/DAkKS-zertifizierte Genauigkeit
- Anschluss für externe Spannungsversorgung über DC 24 V
- Rückseitiger Prozessanschluss



EG-Konformitätserklärung

EC Declaration of Conformity

Dokument Nr.:

11496801.01

Wir erklären in alleiniger Verantwortung, dass die mit CE gekennzeichneten Produkte

Typ:

CPG1000

Beschreibung:

Präzisions-Digitalmanometer

gemäß gültigem Datenblatt:

CT10.01

die grundlegenden Schutzanforderungen der folgenden Richtlinie(n) erfüllen:

94/9/EG (ATEX)
2004/108/EG (EMV)

Kennzeichnung :

II 3 G Ex nA IIB T6

Die Geräte wurden entsprechend den folgenden Normen geprüft:

EN 61326-1:2006
EN 60079-0:2006
EN 60079-15:2005

Unterszeichnet für und im Namen von / Signed for and on behalf of

WIKALexander Wiegand SE & Co. KG

Klingenberg, 2009-12-10

Geschäftsbereich / Company division: MP-CT

Alfred Häfner

Unterschrift, autorisiert durch das Unternehmen / Signature authorized by the company

Document No.:

11496801.01

We declare under our sole responsibility that the CE marked products

Model:

CPG1000

Description:

Precision Digital Pressure Gauge

according to the valid data sheet:

CT10.01

are in conformity with the essential protection requirements of the directive(s)

94/9/EC (ATEX)
2004/108/EC (EMC)

Marking:

II 3 G Ex nA IIB T6

The devices had been tested according to the following standards:

EN 61326-1:2006
EN 60079-0:2006
EN 60079-15:2005

Qualitätsmanagement / Quality management : MP-CT

Harald Hartl

WIKALexander Wiegand SE & Co. KG
Alexander-Wiegand-Stralle 30
63811 Klingenberg
Germany

Tel. +49 9372 132-0
Fax +49 9372 132-406
E-Mail info@wika.de
www.wika.de

Kommanditgesellschaft: Sitz Klingenberg –
Amtsgericht Aschaffenburg HRA 1819
Komplementärin: WIKAVerwaltungs SE & Co. KG –
Sitz Klingenberg – Amtsgericht Aschaffenburg
HRA 4685

Komplementärin:
WIKALInternational SE - Sitz Klingenberg -
Amtsgericht Aschaffenburg HRB 10505
Vorstand: Alexander Wiegand
Vorsitzender des Aufsichtsrats: Dr. Max Egli



D

(1) **TYPE EXAMINATION CERTIFICATE**

(2) **Equipment and protective systems intended for use in potentially explosive atmospheres - Directive 94/9/EC**

(3) Type Examination Certificate Number: **KEMA 09ATEX0096 X** Issue Number: 1

(4) Equipment: **Precision Pressure Gauge Model CPG1000 Series**

(5) Manufacturer: **WIKA - Alexander Wiegand SE & Co. KG**

(6) Address: **Alexander-Wiegand-Straße 30, 63911 Klingenberg, Germany**

(7) This equipment and any acceptable variation thereto is specified in the schedule to this certificate and the documents therein referred to.

(8) KEMA Quality B.V. certifies that this equipment has been found to comply with the Essential Health and Safety Requirements relating to the design and construction of equipment and protective systems intended for use in potentially explosive atmospheres given in Annex II to the directive.

The examination and test results are recorded in confidential test report no. 212676200.

(9) Compliance with the Essential Health and Safety Requirements has been assured by compliance with:

EN 60079-0 : 2006

EN 60079-15 : 2005

(10) If the sign "X" is placed after the certificate number, it indicates that the equipment is subject to special conditions for safe use specified in the schedule to this certificate.

(11) This Type Examination Certificate relates only to the design, examination and tests of the specified equipment and not to the manufacturing process and supply of this equipment.

(12) The marking of the equipment shall include the following:



II 3 G EEx nA IIB T6

This certificate is issued on October 5, 2009 and, as far as applicable, shall be revised before the date of cessation of presumption of conformity of (one of) the standards mentioned above as communicated in the Official Journal of the European Union.

KEMA Quality B.V.

C.G. van Es
Certification Manager



Page 1/2

© Integral publication of this certificate and adjoining reports is allowed. This Certificate may only be reproduced in its entirety and without any change.

KEMA Quality B.V. Utrechtseweg 310, 6812 AR Arnhem P.O. Box 5185, 6802 ED Arnhem The Netherlands
T +31 26 3 56 20 00 F +31 26 3 52 58 00 customer@kema.com www.kema.com Registered Arnhem 09085396

Experience you can trust.



(13) **SCHEDULE**

(14) **to Type Examination Certificate KEMA 09ATEX0096 X** Issue No. 1

(15) **Description**

The CPG1000 series is a Precision Digital Pressure Gauge. There are ten pressure ranges: 15, 30, 100, 300, 500, 1000, 2,000, 3000, 5000 and 10,000 psi. The sensors may be bottom or back mounted. The case is about 10 cm in diameter and may be used as a hand held gauge or may be fixed in place.

Ambient temperature range -10 °C to +55 °C.

Electrical data

Supply: three in series connected AA alkaline cells.

Installation instructions

The manual provided with the equipment shall be followed in detail to assure safe operation.

Routine tests

(16) **Test Report**

KEMA No. 212676200.

(17) **Special conditions for safe use**

The Pressure Gauge is not intended for use with flammable substances and is intended for installation only in locations providing adequate protection against the entry of solid foreign objects or water capable of impairing safety.

(18) **Essential Health and Safety Requirements**

Covered by the standards listed at (9).

(19) **Test documentation**

As listed in Test Report No. 212676200.

Europe

Austria

WIKA Messgerätevertrieb
 Ursula Wiegand GmbH & Co. KG
 1230 Vienna
 Tel. (+43) 1 86916-31
 Fax: (+43) 1 86916-34
 E-mail: info@wika.at
 www.wika.at

Belarus

WIKA Belarus
 Ul. Zaharova 50B
 Office 3H
 220088 Minsk
 Tel. (+375) 17-294 57 11
 Fax: (+375) 17-294 57 11
 E-mail: info@wika.by
 www.wika.by

Benelux

WIKA Benelux
 6101 WX Echt
 Tel. (+31) 475 535-500
 Fax: (+31) 475 535-446
 E-mail: info@wika.nl
 www.wika.nl

Bulgaria

WIKA Bulgaria EOOD
 Bul. „Al. Stamboliiski“ 205
 1309 Sofia
 Tel. (+359) 2 82138-10
 Fax: (+359) 2 82138-13
 E-mail: t.antonov@wika.bg

Croatia

WIKA Croatia d.o.o.
 Hrastovicka 19
 10250 Zagreb-Lucko
 Tel. (+385) 1 6531034
 Fax: (+385) 1 6531357
 E-mail: info@wika.hr
 www.wika.hr

Finland

WIKA Finland Oy
 00210 Helsinki
 Tel. (+358) 9-682 49 20
 Fax: (+358) 9-682 49 270
 E-mail: info@wika.fi
 www.wika.fi

France

WIKA Instruments s.a.r.l.
 95610 Eragny-sur-Oise
 Tel. (+33) 1 343084-84
 Fax: (+33) 1 343084-94
 E-mail: info@wika.fr
 www.wika.fr

Germany

WIKA Alexander Wiegand
 SE & Co. KG
 63911 Klingenberg
 Tel. (+49) 9372 132-0
 Fax: (+49) 9372 132-406
 E-mail: info@wika.de
 www.wika.de

Italy

WIKA Italia Srl & C. Sas
 20020 Arese (Milano)
 Tel. (+39) 02 9386-11
 Fax: (+39) 02 9386-174
 E-mail: info@wika.it
 www.wika.it

Poland

WIKA Polska spółka z ograniczoną
 odpowiedzialnością sp. k.
 87-800 Wloclawek
 Tel. (+48) 542 3011-00
 Fax: (+48) 542 3011-01
 E-mail: info@wikipolska.pl
 www.wikipolska.pl

Romania

WIKA Instruments Romania S.R.L.
 Bucuresti, Sector 5
 Calea Rahovei Nr. 266-268
 Corp 61, Etaj 1
 Tel. (+40) 21 4048327
 Fax: (+40) 21 4563137
 E-mail: m.anghel@wika.ro
 www.wika.ro

Russia

ZAO WIKA MERA
 127015 Moscow
 Tel. (+7) 495-648 01 80
 Fax: (+7) 495-648 01 81
 E-mail: info@wika.ru
 www.wika.ru

Serbia

WIKA Merna Tehnika d.o.o.
 Sime Solaje 15
 11060 Belgrade
 Tel. (+381) 11 2763722
 Fax: (+381) 11 753674
 E-mail: info@wika.co.yu
 www.wika.co.yu

Spain

Instrumentos WIKA, S.A.
 C/Josep Carner, 11-17
 08205 Sabadell (Barcelona)
 Tel. (+34) 933 938630
 Fax: (+34) 933 938666
 E-mail: info@wika.es
 www.wika.es

Switzerland

MANOMETER AG
 6285 Hitzkirch
 Tel. (+41) 41 91972-72
 Fax: (+41) 41 91972-73
 E-mail: info@manometer.ch
 www.manometer.ch

Turkey

WIKA Instruments Istanbul
 Basinc ve Sicaklik Ölçme Cihazları
 İth. İhr. ve Tic. Ltd. Şti.
 Bayraktar Bulvarı No. 17
 34775 Şerifali-Yukarı Dudullu -
 İstanbul
 Tel. (+90) 216 41590-66
 Fax: (+90) 216 41590-97
 E-mail: info@wika.com.tr
 www.wika.com.tr

Ukraine

TOV WIKA Prylad
 M. Raskovoy Str. 11, A
 PO 200
 02660 Kyiv
 Tel. (+38) 044 496-8380
 Fax: (+38) 044 496-8380
 E-mail: info@wika.ua
 www.wika.ua

United Kingdom

WIKA Instruments Ltd
 Merstham, Redhill RH13LG
 Tel. (+44) 1737 644-008
 Fax: (+44) 1737 644-403
 E-mail: info@wika.co.uk
 www.wika.co.uk

North America

Canada

WIKA Instruments Ltd.
Head Office
Edmonton, Alberta, T6N 1C8
Tel. (+1) 780 46370-35
Fax: (+1) 780 46200-17
E-mail: info@wika.ca
www.wika.ca

Mexico

Instrumentos WIKA Mexico S.A.
de C.V.
01210 Mexico D.F.
Tel. (+52) 55 50205300
Fax: (+52) 55 50205300
E-mail: ventas@wika.com
www.wika.com.mx

USA

WIKA Instrument Corporation
Lawrenceville, GA 30043
Tel. (+1) 770 5138200
Fax: (+1) 770 3385118
E-mail: info@wika.com
www.wika.com

WIKA Instrument Corporation
Houston Facility
950 Hall Court
Deer Park, TX 77536
Tel. (+1) 713-475 0022
Fax: (+1) 713-475 0011
E-mail: info@wikahouston.com
www.wika.com

Mensor Corporation
201 Barnes Drive
San Marcos, TX 78666
Tel. (+1) 512 3964200-15
Fax: (+1) 512 3961820
E-mail: sales@mensor.com
www.mensor.com

South America

Argentina

WIKA Argentina S.A.
Buenos Aires
Tel. (+54) 11 47301800
Fax: (+54) 11 47610050
E-mail: info@wika.com.ar
www.wika.com.ar

Brazil

WIKA do Brasil Ind. e Com. Ltda.
CEP 18560-000 Iperó - SP
Tel. (+55) 15 34599700
Fax: (+55) 15 32661650
E-mail: marketing@wika.com.br
www.wika.com.br

Chile

WIKA Chile S.p.A.
Coronel Pereira 72
Oficina 101
Las Condes
Santiago de Chile
Tel. (+56) 2 3651719
www.wika.cl

Asia

China

WIKA International Trading (Shanghai) Co., Ltd.
A2615, NO.100, Zunyi Road
Changning District
Shanghai 200051
Tel. (+86) 21 538525-72
Fax: (+86) 21 538525-75
E-mail: info@wika.cn
www.wika.com.cn

WIKA Instrumentation (Suzhou) Co., Ltd.
81, Ta Yuan Road,
SND, Suzhou 215011
Tel. (+86) 512 68788000
Fax: (+86) 512 68780300
E-mail: info@wika.cn
www.wika.com.cn

India

WIKA Instruments India Pvt. Ltd.
Village Kesnand, Wagholi
Pune - 412 207
Tel. (+91) 20 66293-200
Fax: (+91) 20 66293-325
E-mail: sales@wika.co.in
www.wika.co.in

Japan

WIKA Japan K. K.
Tokyo 105-0023
Tel. (+81) 3 543966-73
Fax: (+81) 3 543966-74
E-mail: info@wika.co.jp

Kazakhstan

TOO WIKA Kazakhstan
050050 Almaty
Tel. (+7) 727 2330848
Fax: (+7) 727 2789905
E-mail: info@wika.kz
www.wika.kz

Korea

WIKA Korea Ltd.
#569-21 Gasan-dong
Seoul 153-771 Korea
Tel. (+82) 2 869 05 05
Fax: (+82) 2 869 05 25
E-mail: info@wika.co.kr
www.wika.co.kr

Malaysia

WIKA Instrumentation (M) Sdn. Bhd.
47100 Puchong, Selangor
Tel. (+60) 3 80 63 10 80
Fax: (+60) 3 80 63 10 70
E-mail: info@wika.com.my
www.wika.com.my

Singapore

WIKA Instrumentation Pte. Ltd.
569625 Singapore
Tel. (+65) 68 44 55 06
Fax: (+65) 68 44 55 07
E-mail: info@wika.com.sg
www.wika.com.sg

Taiwan

WIKA Instrumentation Taiwan Ltd.
Pinjen, Taoyuan
Tel. (+886) 3 420 6052
Fax: (+886) 3 490 0080
E-mail: info@wika.com.tw
www.wika.com.tw

Thailand

WIKA Instrumentation Corporation
(Thailand) Co., Ltd.
850/7 Ladkrabang Road,
Ladkrabang
Bangkok 10520
Tel. (+66) 2 326 6876-80
Fax: (+66) 2 326 6874
E-mail: info@wika.co.th
www.wika.co.th

Africa / Middle East

Egypt

WIKA Near East Ltd.
El-Serag City Towers
-Tower#2 - Office#67-
Nasr City Cairo
Tel. (+20) 2 22733140
Fax: (+20) 2 22703815
E-mail: info@wika.com.eg
www.wika.com.eg

Namibia

WIKA Instruments Namibia (Pty) Ltd.
P.O. Box 31263
Pionierspark
Windhoek
Tel. (+26) 4 6123 8811
Fax: (+26) 4 6123 3403
E-mail: info@wika.com.na
www.wika.com.na

South Africa

WIKA Instruments (Pty.) Ltd.
Gardenview,
Johannesburg 2047
Tel. (+27) 11 62100-00
Fax: (+27) 11 62100-59
E-mail: sales@wika.co.za
www.wika.co.za

United Arab Emirates

WIKA Middle East FZE
Jebel Ali, Dubai
Tel. (+971) 4 8839-090
Fax: (+971) 4 8839-198
E-mail: wikame@emirates.net.ae
www.wika.ae

Australia

Australia

WIKA Australia Pty. Ltd.
Rydalmere, NSW 2116
Tel. (+61) 2 88455222
Fax: (+61) 2 96844767
E-mail: sales@wika.com.au
www.wika.com.au

New Zealand

WIKA Instruments Limited
Unit 7 / 49 Sainsbury Road
St Lukes - Auckland 1025
Tel. (+64) 9 8479020
Fax: (+64) 9 8465964
E-mail: info@wika.co.nz
www.wika.co.nz

Further WIKA subsidiaries worldwide can be found online at www.wika.com.
Weitere WIKA-Niederlassungen weltweit finden Sie online unter www.wika.de.



WIKAL Alexander Wiegand SE & Co. KG

Alexander-Wiegand-Straße 30
63911 Klingenberg • Germany
Tel. (+49) 9372/132-0
Fax (+49) 9372/132-406
E-Mail info@wika.de
www.wika.de