

Operating Instructions

EngyCal RS33

Steam calculator

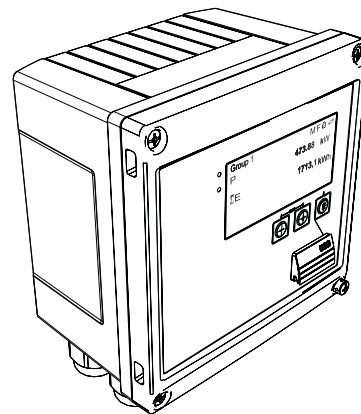


Table of contents

1	About this document	4	9	Accessories	56
1.1	Document function	4	9.1	Device-specific accessories	56
1.2	Document conventions	4	9.2	Communication-specific accessories	56
2	Safety instructions	7	9.3	Service-specific accessories	57
2.1	Requirements for the personnel	7	9.4	System components	58
2.2	Designated use	7	10	Troubleshooting	59
2.3	Workplace safety	7	10.1	Instrument diagnostics and troubleshooting ..	59
2.4	Operational safety	7	10.2	Error messages	60
2.5	Product safety	8	10.3	Diagnosis list	62
2.6	IT security	8	10.4	Output function test	62
3	Identification	9	10.5	Spare parts	63
3.1	Device tag	9	10.6	Software history and overview of compatibility	65
3.2	Scope of delivery	9	11	Return	66
3.3	Certificates and approvals	10	12	Disposal	67
4	Installation	11	12.1	IT security	67
4.1	Incoming acceptance, transport, storage	11	12.2	Disassembling the measuring device	67
4.2	Dimensions	11	12.3	Disposing of the measuring device	67
4.3	Installation conditions	12	13	Technical data	68
4.4	Installation	13	13.1	Input	68
4.5	Installation instructions for temperature sensor(s)	16	13.2	Output	70
4.6	Pressure sensor installation instructions	17	13.3	Power supply	72
5	Wiring	18	13.4	Communication interfaces	72
5.1	Connection instructions	18	13.5	Performance characteristics	74
5.2	Quick wiring guide	18	13.6	Installation	74
5.3	Connecting the sensors	20	13.7	Environment	74
5.4	Outputs	25	13.8	Mechanical construction	75
5.5	Communication	25	13.9	Operability	76
5.6	Post-connection check	27	13.10	Certificates and approvals	77
6	Operation	28	14	Appendix	79
6.1	General information regarding operation	28	14.1	Operating functions and parameters	79
6.2	Display and operating elements	28	14.2	Symbols	94
6.3	Operating matrix	31	14.3	Definition of important system units	96
7	Commissioning	32	Index	97	
7.1	Quick commissioning/make it run	32			
7.2	Applications	33			
7.3	Configuring the basic parameters/general device functions	38			
7.4	Optional device settings/special functions	50			
7.5	Data analysis and visualization with the Field Data Manager software (accessories)	54			
8	Maintenance	55			
8.1	Adjustment	55			
8.2	Cleaning	55			





1 About this document

1.1 Document function








These Operating Instructions contain all the information that is required in various phases of the life cycle of the device: from product identification, incoming acceptance and storage, to mounting, connection, operation and commissioning through to troubleshooting, maintenance and disposal.

1.2 Document conventions








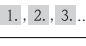



1.2.1 Safety symbols

Symbol	Meaning
	DANGER! This symbol alerts you to a dangerous situation. Failure to avoid this situation will result in serious or fatal injury.
	WARNING! This symbol alerts you to a dangerous situation. Failure to avoid this situation can result in serious or fatal injury.
	CAUTION! This symbol alerts you to a dangerous situation. Failure to avoid this situation can result in minor or medium injury.
	NOTE! This symbol contains information on procedures and other facts which do not result in personal injury.





1.2.2 Electrical symbols

Symbol	Meaning
 A0011197	Direct current A terminal to which DC voltage is applied or through which direct current flows.
 A0011198	Alternating current A terminal to which alternating voltage is applied or through which alternating current flows.
 A0017381	Direct current and alternating current <ul style="list-style-type: none"> ▪ A terminal to which alternating voltage or DC voltage is applied. ▪ A terminal through which alternating current or direct current flows.
 A0011200	Ground connection A grounded terminal which, as far as the operator is concerned, is grounded via a grounding system.
 A0011199	Protective ground connection A terminal which must be connected to ground prior to establishing any other connections.
 A0011201	Equipotential connection A connection that has to be connected to the plant grounding system: This may be a potential equalization line or a star grounding system depending on national or company codes of practice.
 A0012751	ESD - electrostatic discharge Protect the terminals from electrostatic discharge. Failure to observe this may result in destruction of parts of the electronics.



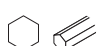
1.2.3 Symbols for certain types of information



Symbol	Meaning
	Permitted Procedures, processes or actions that are permitted.
	Preferred Procedures, processes or actions that are preferred.
	Forbidden Procedures, processes or actions that are forbidden.
	Tip Indicates additional information.
	Reference to documentation
	Reference to page
	Reference to graphic
	Series of steps
	Result of a step
	Help in the event of a problem
	Visual inspection

1.2.4 Symbols in graphics

Symbol	Meaning
1, 2, 3,...	Item numbers
	Series of steps
A, B, C, ...	Views
A-A, B-B, C-C, ...	Sections
 A0013441	Flow direction
 A0011187	Hazardous area Indicates a hazardous area.
 A0011188	Safe area (non-hazardous area) Indicates a non-hazardous area.

1.2.5 Tool symbols

Symbol	Meaning
 A0011220	Flat-blade screwdriver
 A0011219	Phillips screwdriver
 A0011221	Allen key

Symbol	Meaning
 A0011222	Open-ended wrench
 A0013442	Torx screwdriver

2 Safety instructions

Safe operation of the device is only guaranteed if the Operating Instructions have been read and the safety instructions they contain have been observed.

2.1 Requirements for the personnel

The personnel for installation, commissioning, diagnostics and maintenance must fulfill the following requirements:

- ▶ Trained, qualified specialists must have a relevant qualification for this specific function and task.
- ▶ Are authorized by the plant owner/operator.
- ▶ Are familiar with federal/national regulations.
- ▶ Before starting work, read and understand the instructions in the manual and supplementary documentation as well as the certificates (depending on the application).
- ▶ Follow instructions and comply with basic conditions.

The operating personnel must fulfill the following requirements:

- ▶ Are instructed and authorized according to the requirements of the task by the facility's owner-operator.
- ▶ Follow the instructions in this manual.

2.2 Designated use

The steam calculator is a flow computer for calculating the mass and energy flow of steam. The mains powered device is designed for use in industrial environments.

- The manufacturer accepts no liability for damages resulting from incorrect use or use other than that designated. It is not permitted to convert or modify the device in any way.
- The device may only be operated when installed.

2.3 Workplace safety

For work on and with the device:

- ▶ Wear the required personal protective equipment according to federal/national regulations.

2.4 Operational safety

Risk of injury.

- ▶ Operate the device in proper technical condition and fail-safe condition only.
- ▶ The operator is responsible for interference-free operation of the device.

Conversions to the device

Unauthorized modifications to the device are not permitted and can lead to unforeseeable dangers.

- ▶ If, despite this, modifications are required, consult with Endress+Hauser.

Repair

To ensure continued operational safety and reliability,

- ▶ Carry out repairs on the device only if they are expressly permitted.
- ▶ Observe federal/national regulations pertaining to repair of an electrical device.
- ▶ Use original spare parts and accessories from Endress+Hauser only.

2.5 Product safety

This measuring device is designed in accordance with good engineering practice to meet state-of-the-art safety requirements, has been tested, and left the factory in a condition in which it is safe to operate.

It meets general safety standards and legal requirements. It also complies with the EC directives listed in the device-specific EC Declaration of Conformity. Endress+Hauser confirms this by affixing the CE mark to the device.

2.6 IT security

Our warranty is valid only if the device is installed and used as described in the Operating Instructions. The device is equipped with security mechanisms to protect it against any inadvertent changes to the settings.

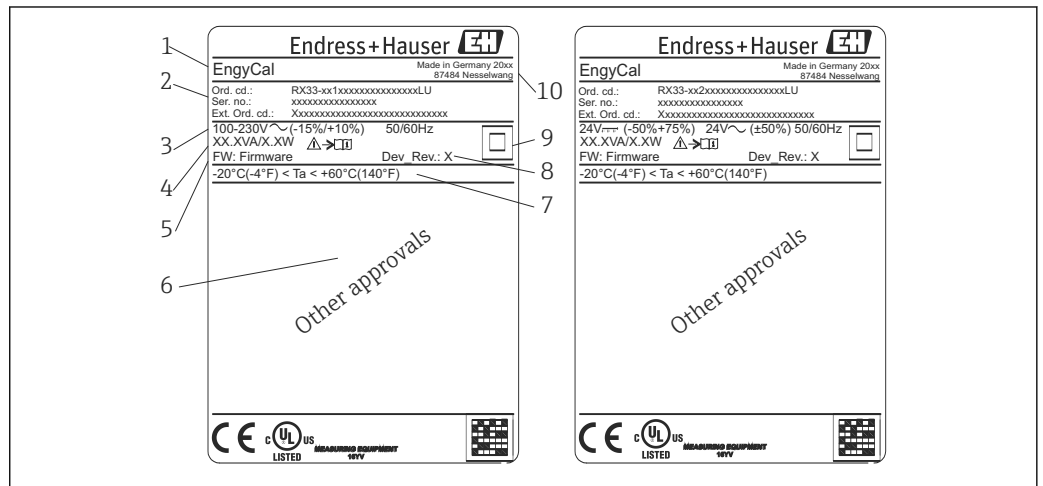
IT security measures, which provide additional protection for the device and associated data transfer, must be implemented by the operators themselves in line with their security standards.

3 Identification

3.1 Device tag

3.1.1 Nameplate

Compare the nameplate on the device with the following diagram:

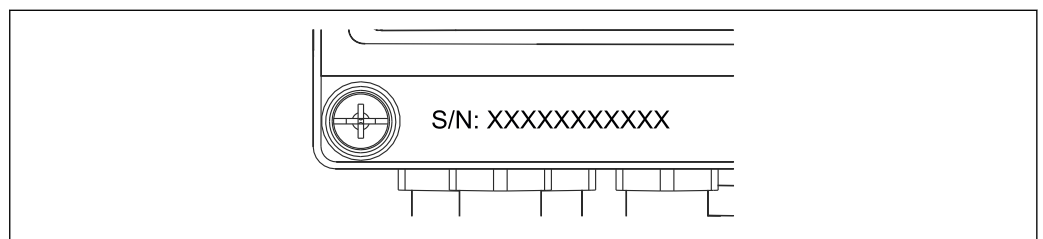


A0013583

1 Device nameplate (example)

- 1 Device tag
- 2 Order code and serial number
- 3 Supply voltage
- 4 Power consumption
- 5 Firmware version
- 6 Approvals, if available
- 7 Ambient temperature range
- 8 Device revision
- 9 Device protected by double or reinforced seal
- 10 Place and year of manufacture

3.1.2 Serial number on front of device



A0024097



2 Serial number on front of device

3.2 Scope of delivery

The scope of delivery comprises:

- EngyCal (field housing)
- Wall mounting plate
- Hard copy of Brief Operating Instructions
- Optional 3 pcs connecting terminal (each 5-pin)
- Optional interface cable and DVD set with FieldCare Device Setup configuration software

- Optional Field Data Manager software MS20
- Optional mounting hardware for DIN rail, panel mounting, pipe mounting
- Optional overvoltage protection

 Please note the accessory parts for the device in the "Accessories" section →  56.

3.3 Certificates and approvals

The steam calculator meets the general requirements for steam calculators in accordance with OIML R75 and EN-1434.

According to European law, steam calculators are not subject to mandatory verification. However, approval as part of individual measuring point verification is possible. Furthermore, national type approvals are currently pending for the device.

3.3.1 CE mark

The product meets the requirements of the harmonized European standards. As such, it complies with the legal specifications of the EC directives. The manufacturer confirms successful testing of the product by affixing to it the CE-mark.

4 Installation

4.1 Incoming acceptance, transport, storage

Compliance with the permitted environmental and storage conditions is mandatory. The exact specifications for this are provided in the "Technical Information" section → 68.

4.1.1 Incoming acceptance

On receipt of the goods, check the following points:

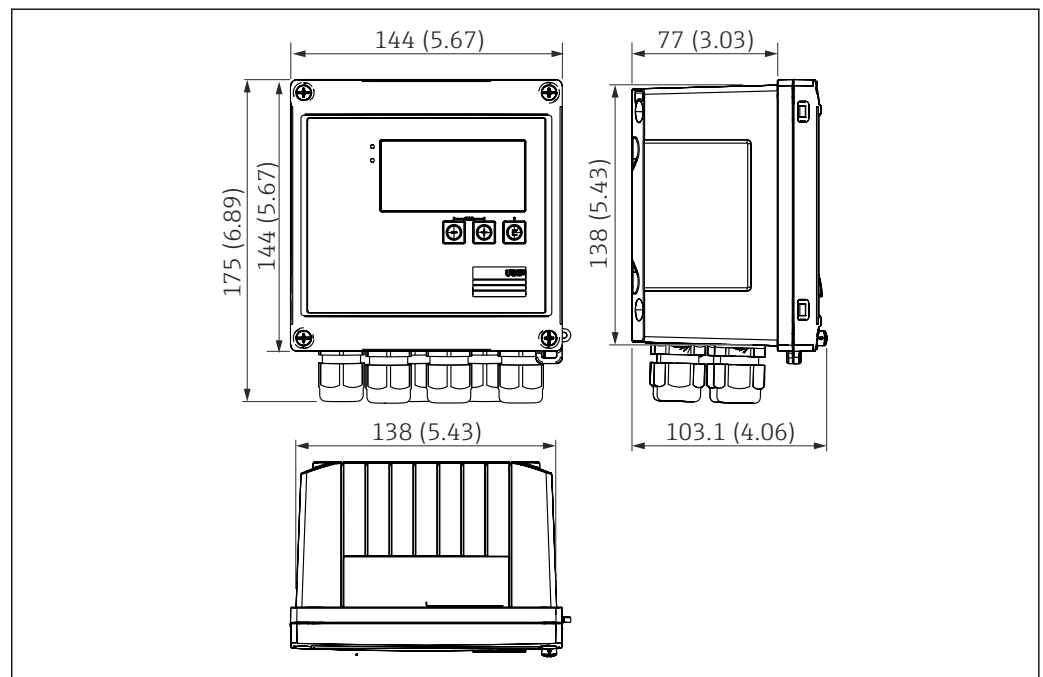
- Is the packaging or the content damaged?
- Is the delivery complete? Compare the scope of delivery against the information on your order form.

4.1.2 Transport and storage

Please note the following:

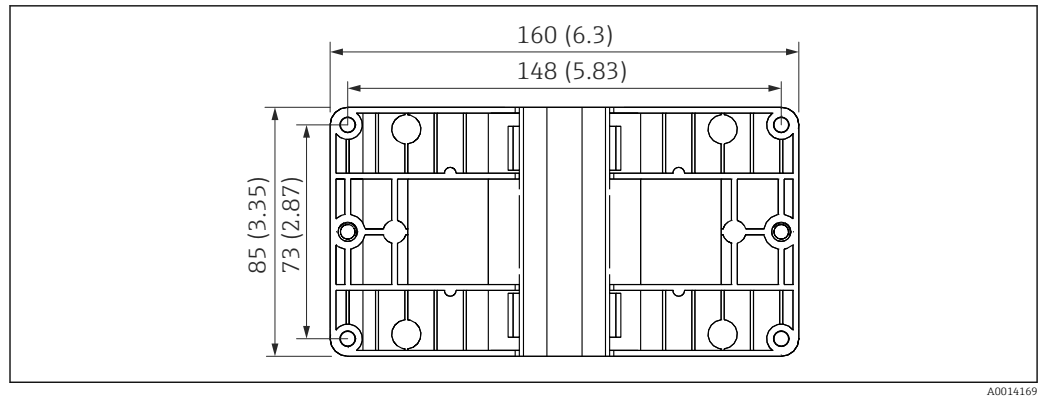
- Pack the device in such a way as to protect it reliably against impact for storage (and transportation). The original packaging provides optimum protection.
- The permitted storage temperature is -40 to $+85$ °C (-40 to $+185$ °F); it is possible to store the device at borderline temperatures for a limited period (48 hours maximum).

4.2 Dimensions



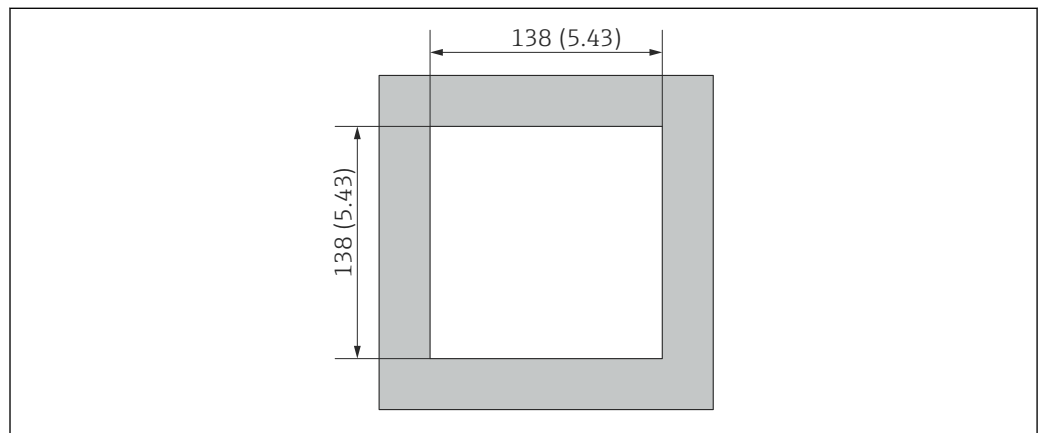
3 Dimensions of the device in mm (in)

A0013438



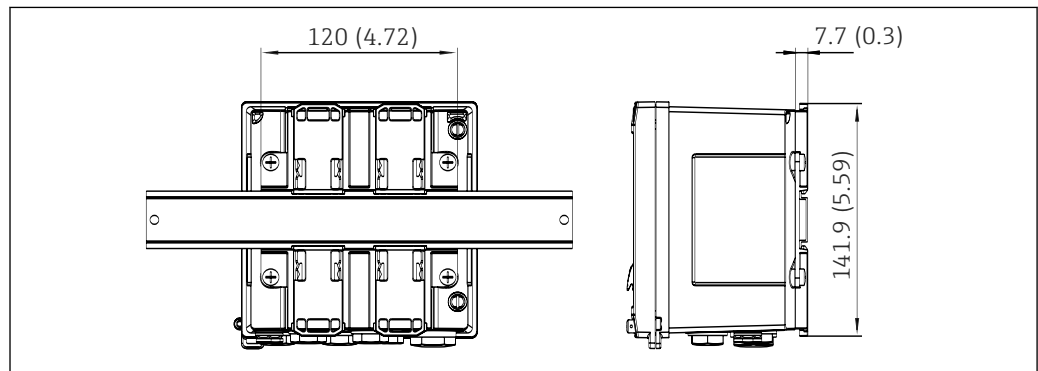
A0014169

4 Dimensions of the mounting plate for wall, pipe and panel mounting in mm (in)



A0014171

5 Dimensions of the panel cutout in mm (in)



A0014610

6 Dimensions of DIN rail adapter in mm (in)

4.3 Installation conditions

With the appropriate accessories, the device with field housing is suitable for wall mounting, pipe mounting, panel mounting and DIN rail installation.

The orientation is only determined by the legibility of the display. Connections and outputs are fed out of the bottom of the device. The cables are connected via coded terminals.

Operating temperature range: -20 to 60 °C (-4 to 140 °F)



You can find more information in the "Technical data" section.

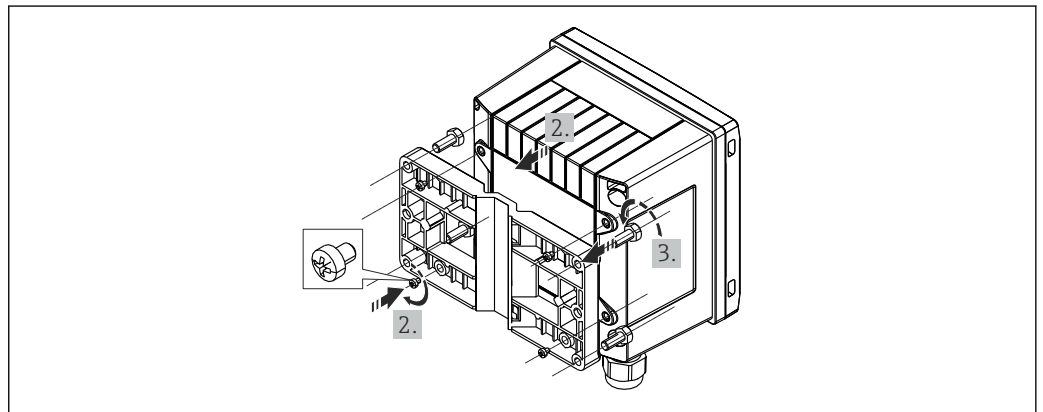
NOTICE**Overheating of the device due to insufficient cooling**

- ▶ To avoid heat buildup, please always ensure that the device is sufficiently cooled. Operating the device in the upper temperature limit range decreases the operating life of the display.

4.4 Installation

4.4.1 Wall mounting



1. Use the mounting plate as the template for drilled holes, dimensions →  4,  12
2. Attach the device to the mounting plate and fasten it in place from the rear using 4 screws.
3. Fasten the mounting plate to the wall using 4 screws.

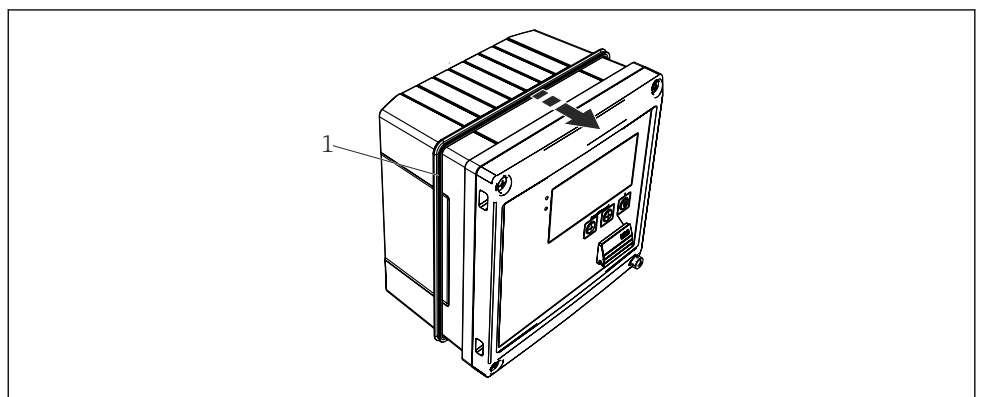


A0014170

 7 *Wall mounting*

4.4.2 Panel mounting

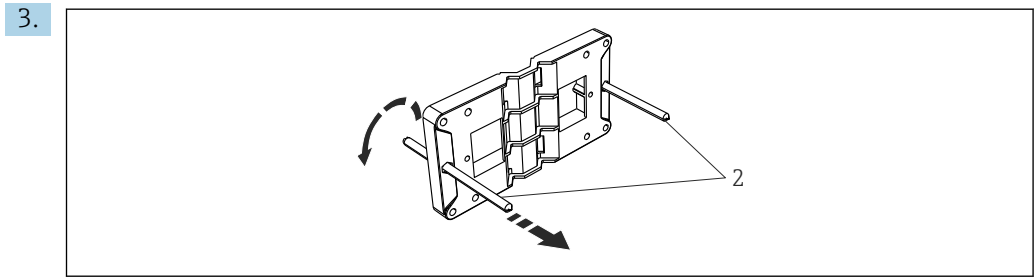
1. Make the panel cutout in the required size, dimensions →  5,  12
- 2.



A0014172

 8 *Panel mounting*

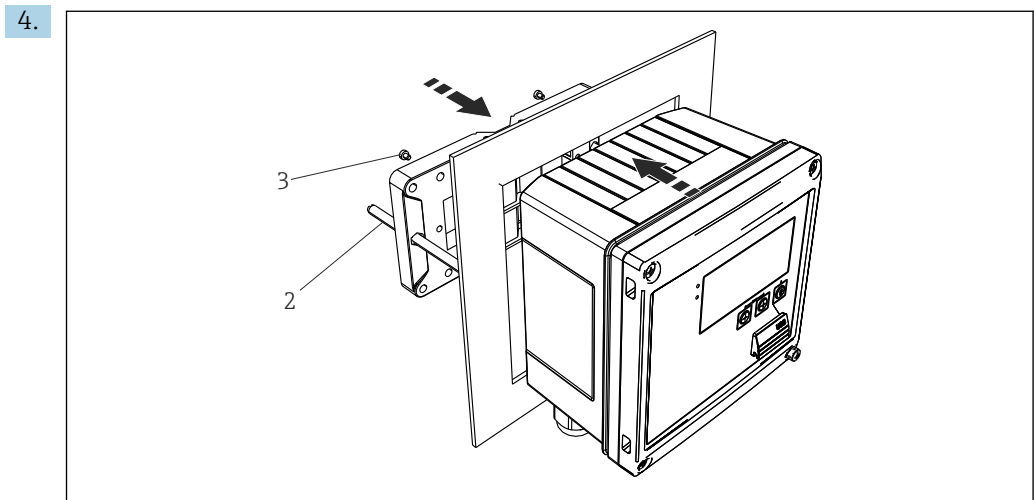
Attach the seal (item 1) to the housing.



A0014173

9 Preparing the mounting plate for panel mounting

Screw the threaded rods (item 2) into the mounting plate (dimensions → 4, 12).



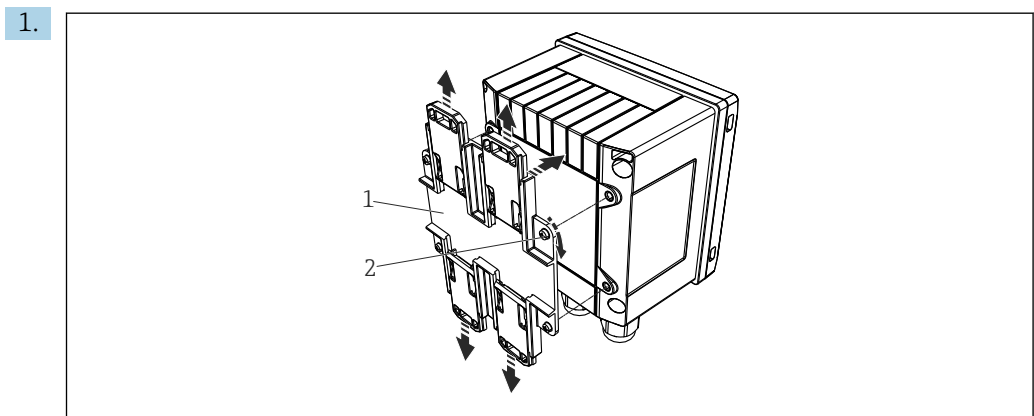
A0014174

10 Panel mounting

Push the device into the panel cutout from the front and attach the mounting plate to the device from the rear using the 4 screws provided (item 3).

5. Fasten the device in place by tightening the threaded rods.

4.4.3 Support rail/DIN rail (to EN 50 022)

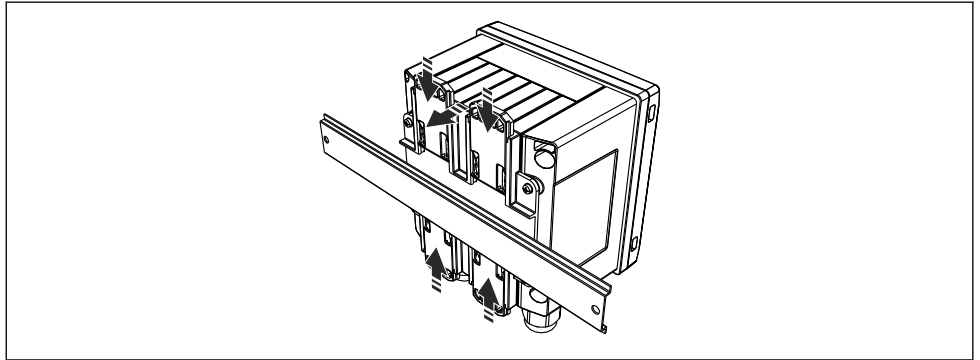


A0014176

11 Preparing for DIN rail mounting

Fasten the DIN rail adapter (item 1) to the device using the screws provided (item 2) and open the DIN rail clips.

2.



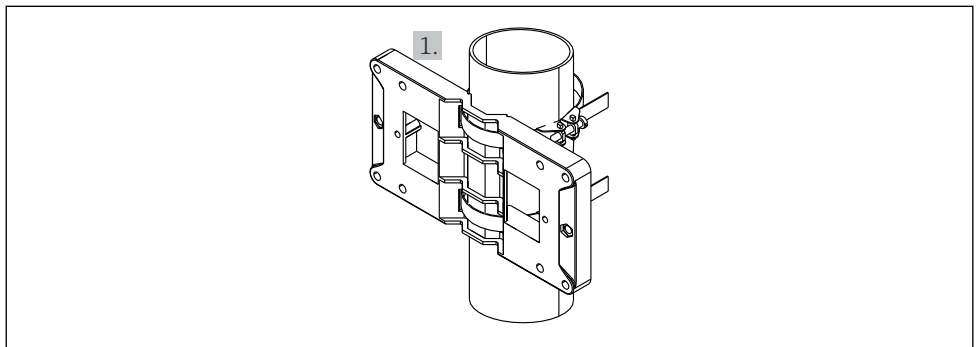
A0014177

▣ 12 *DIN rail mounting*

Attach the device to the DIN rail from the front and close the DIN rail clips.

4.4.4 Pipe mounting

1.

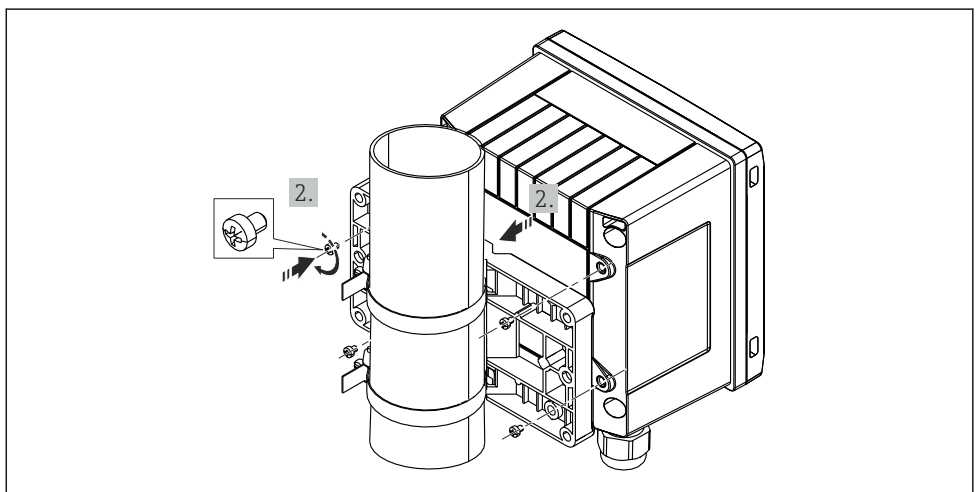


A0014178

▣ 13 *Preparing for pipe mounting*

Pull the steel belts through the mounting plate (dimensions → ▣ 4, ▢ 12) and fasten them to the pipe.

2.

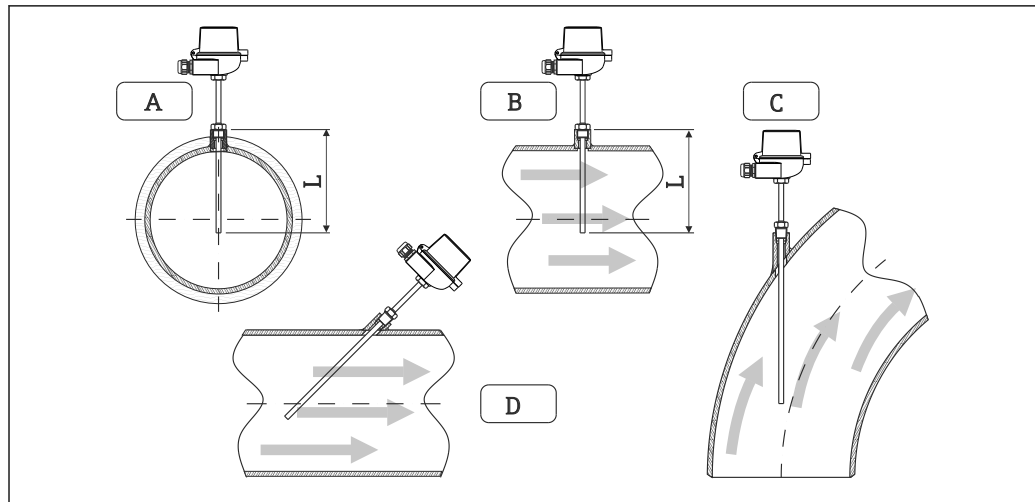


A0014179

▣ 14 *Pipe mounting*

Attach the device to the mounting plate and fasten it in place using the 4 screws provided.

4.5 Installation instructions for temperature sensor(s)



15 Installation types for temperature sensors

A - B For cables with a small cross-section, the sensor tip must reach to the piping axis or a little farther ($=L$).
C - D Slanted orientation.

The immersion length of the thermometer influences the accuracy. If the immersion length is too small, errors in the measurement are caused by heat conduction via the process connection and the container wall. For installation in a pipe, therefore, the recommended installation depth ideally corresponds to half of the pipe diameter.

- Installation possibilities: Pipes, tanks or other plant components

- Minimum immersion depth = 80 to 100 mm (3.15 to 3.94 in)

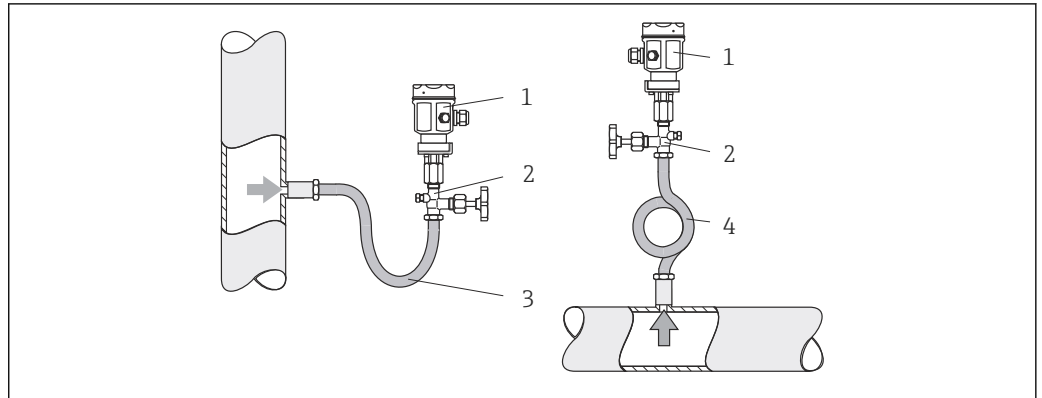
The immersion depth should be at least 8 times the diameter of the thermowell.

Example: Thermowell diameter 12 mm (0.47 in) x 8 = 96 mm (3.8 in). We recommend a standard immersion depth of 120 mm (4.72 in).

- i** For pipes with small nominal diameters, ensure that the tip of the thermowell extends far enough into the process so that it also protrudes past the axis of the pipe (→ 15, 16, item A and B). Another solution may be diagonal installation (→ 15, 16, item C and D). When determining the immersion length or installation depth all the parameters of the thermometer and of the process to be measured must be taken into account (e.g. flow velocity, process pressure).

Refer also to the installation recommendations EN1434-2 (D), Figure 8.

4.6 Pressure sensor installation instructions



A0014527

16 Measuring arrangement for pressure measurement in steams

- 1 Pressure sensor
- 2 Shutoff device
- 3 U-shaped water pocket
- 4 O-shaped water pocket

- Mount the pressure sensor with the water pocket pipe above the tapping point. The water pocket pipe reduces the temperature to almost ambient temperature.
- Fill the water pocket pipe with liquid before commissioning.

5 Wiring

5.1 Connection instructions

⚠ WARNING

Danger! Electric voltage!

- ▶ The entire connection of the device must take place while the device is de-energized.

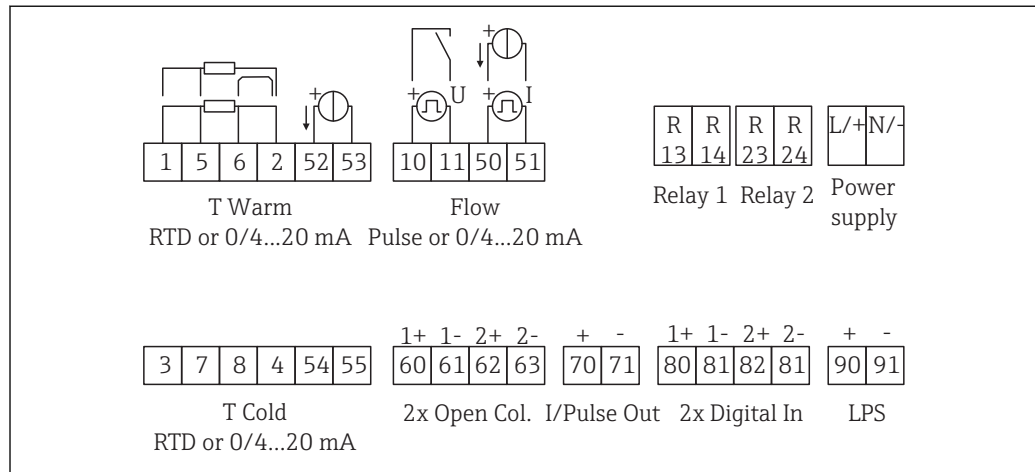
⚠ CAUTION

Pay attention to additional information provided

- ▶ Before commissioning, ensure that the supply voltage corresponds to the specification on the nameplate.
- ▶ Provide a suitable switch or power-circuit breaker in the building installation. This switch must be provided close to the device (within easy reach) and marked as a circuit breaker.
- ▶ An overload protection element (rated current ≤ 10 A) is required for the power cable.

To install the steam calculator and the associated components, observe the general installation instructions according to EN1434 Part 6.

5.2 Quick wiring guide



17 Connection diagram of the device

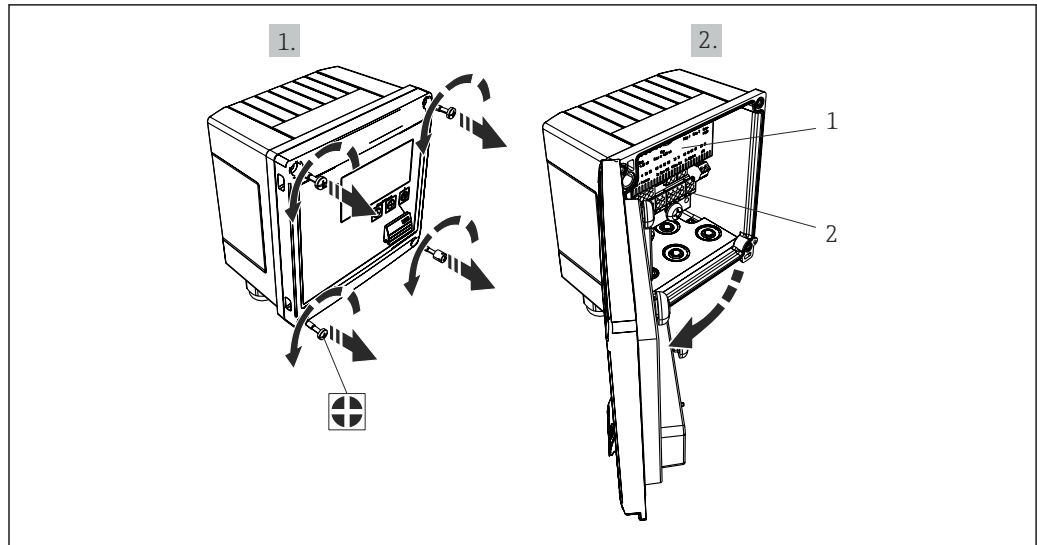
Terminal assignment

- i** In the case of heat differential /T, the temperature sensor for T condensate must be connected to the T Warm terminals and the temperature sensor for T steam to the T Cold terminals.
- In the case of heat differential /p, the temperature sensor for T condensate must be connected to the T Warm terminals.

Terminal	Terminal assignment	Inputs
1	+ RTD power supply	Temperature (Optionally RTD or current input)
2	- RTD power supply	
5	+ RTD sensor	
6	- RTD sensor	
52	+ 0/4 to 20 mA input	

53	Ground for 0/4 to 20 mA input	
3	+ RTD power supply	Pressure
4	- RTD power supply	
7	+ RTD sensor	
8	- RTD sensor	
54	+ 0/4 to 20 mA input	
55	Ground for 0/4 to 20 mA input	
10	+ pulse input (voltage)	Flow (Optionally pulse or current input)
11	- pulse input (voltage)	
50	+ 0/4 to 20 mA or current pulse (PFM)	
51	Ground for 0/4 to 20 mA input flow	
80	+ digital input 1 (switch input)	<ul style="list-style-type: none"> ■ Start tariff counter 1 ■ Time synchronization ■ Lock device
81	- digital input (terminal 1)	
82	+ digital input 2 (switch input)	<ul style="list-style-type: none"> ■ Start tariff counter 2 ■ Time synchronization ■ Lock device
81	- digital input (terminal 2)	
		Outputs
60	+ pulse output 1 (open collector)	Energy, volume or tariff counter. Alternative: limits/alarms
61	- pulse output 1 (open collector)	
62	+ pulse output 2 (open collector)	
63	- pulse output 2 (open collector)	
70	+ 0/4 to 20 mA/pulse output	Current values (e.g. power) or counter values (e.g. energy)
71	- 0/4 to 20 mA/pulse output	
13	Relay normally open (NO)	Limits, alarms
14	Relay normally open (NO)	
23	Relay normally open (NO)	
24	Relay normally open (NO)	
90	24V sensor power supply (LPS)	24 V power supply (e.g. for sensor power supply)
91	Power supply ground	
		Power supply
L/+	L for AC + for DC	
N/-	N for AC - for DC	

5.2.1 Open the housing



A0014071

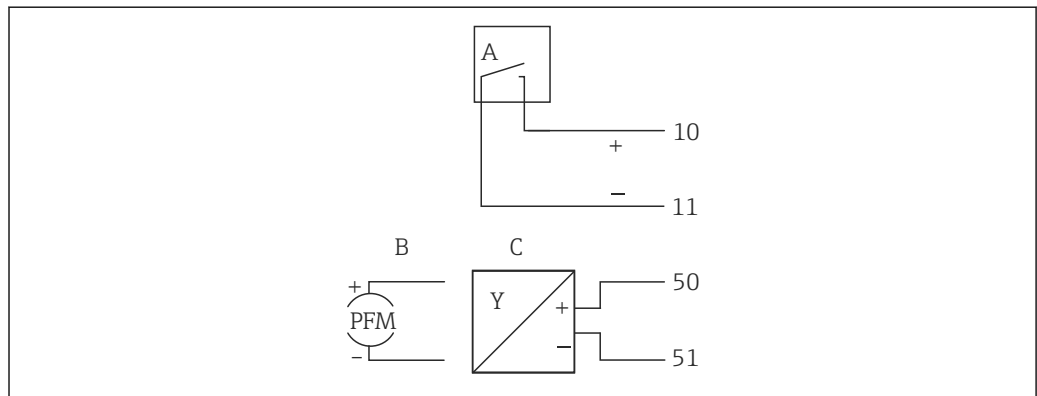
18 Opening the housing of the device

- 1 Terminal assignment labeling
- 2 Terminals

5.3 Connecting the sensors

5.3.1 Flow

Flow sensors with external power supply

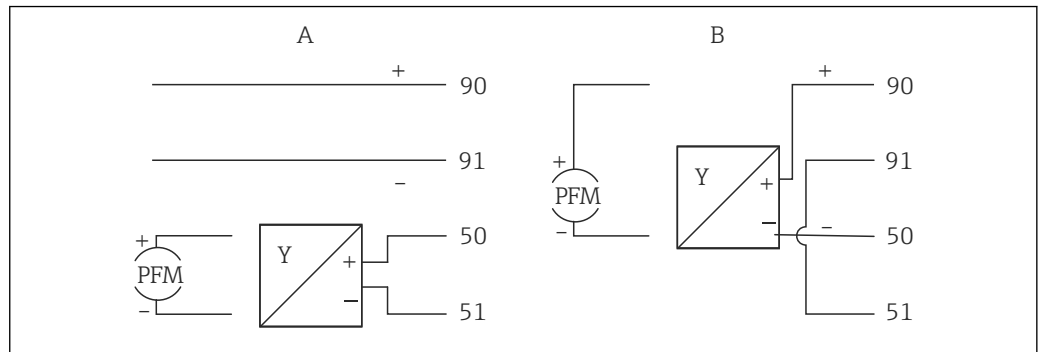


A0013521

19 Connecting a flow sensor

- A Voltage pulses or contact sensors including EN 1434 Type IB, IC, ID, IE
- B Current pulses
- C 0/4 to 20 mA signal

Flow sensors with power supply via the steam calculator




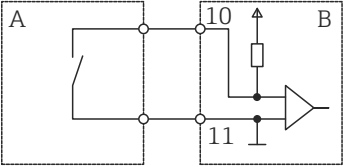

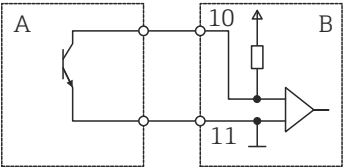
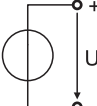
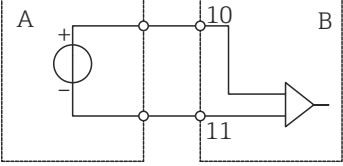
A0014180

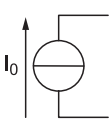
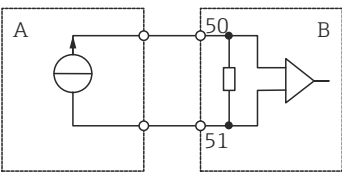
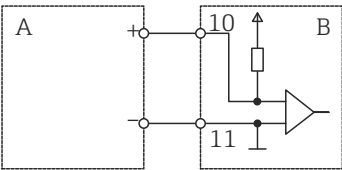
20 Connecting active flow sensors

- A 4-wire sensor
- B 2-wire sensor

Settings for flow sensors with pulse output

The input for voltage pulses and contact sensors is divided into different types according to EN1434 and provides a supply for switching contacts.

Pulse output of the flow sensor	Setting at the Rx33	Electrical connection	Notes
Mechanical contact  A0015360	Pulse ID/IE up to 25 Hz	 A Sensor B Rx33	As an alternative, it is possible to choose "Pulse IB/IC+U" up to 25 Hz. The current flow via the contact is then lower (approx. 0.05 mA instead of approx. 9 mA). Advantage: lower power consumption, disadvantage: less immunity to interference.
Open collector (NPN)  A0015361	Pulse ID/IE up to 25 Hz or up to 12.5 kHz	 A Sensor B Rx33	As an alternative, it is possible to choose "Pulse IB/IC+U". The current flow via the transistor is then lower (approx. 0.05 mA instead of approx. 9 mA). Advantage: lower power consumption, disadvantage: less immunity to interference.
Active voltage  A0015362	Pulse IB/IC+U	 A Sensor B Rx33	The switching threshold is between 1 V and 2 V

Pulse output of the flow sensor	Setting at the Rx33	Electrical connection	Notes
Active current  <small>A0015363</small>	Pulse I	 <small>A0015357</small> A Sensor B Rx33	The switching threshold is between 8 mA and 13 mA
Namur sensor (as per EN60947-5-6)	Pulse ID/IE up to 25 Hz or up to 12.5 kHz	 <small>A0015359</small> A Sensor B Rx33	No monitoring for short circuit or line break takes place.

Voltage pulses and transmitters according to Class IB and IC (low switching thresholds, small currents)	≤ 1 V corresponds to Low level ≥ 2 V corresponds to High level U max 30 V, U no-load: 3 to 6 V	Floating contacts, reed transmitters
Transmitters to Class ID and IE for higher currents and power supplies	≤ 1.2 mA corresponds to Low level ≥ 2.1 mA corresponds to High level U no-load: 7 to 9 V	

Endress+Hauser flowmeters

Flow sensors with PFM or pulse output: Proline Prowirl 72 and Proline Prosonic Flow 92F	Prowirl 72 Prosonic Flow 92F	EngyCal
	1 + _____ A 2 _____	90 91 50 51
	1 + _____ B 2 _____ 3+ _____ 4 _____	90 91 10 11
	A = PFM B = pulse: Terminals 90/91 transmitter power supply, alternatively via external supply unit	

A0014181

Flow sensor with temperature signal and pulse output: Proline Prowirl 73	Prowirl 73	EngyCal
	1 + _____ A 2 _____	90 91 52 53
	3 + _____ B 4 _____	10 11
	A = Transmitter power supply, temperature signal (0/4 to 20 mA) B = Pulse (open collector) for volume flow	

A0014536

<p>Flow sensors with current or pulse output: Proline Promag 10 W Proline Promag 50 W Proline Promag 51W</p>	<table style="width: 100%; border-collapse: collapse;"> <tr> <td style="width: 50%; vertical-align: top;"> <p>Promag 10 W Promag 50 W Promag 51 W</p> </td> <td style="width: 50%; vertical-align: top;"> <p style="text-align: right;">EngyCal</p> </td> </tr> </table> <p>A = Pulse input, B = Current input, C = Direction signal via open collector The Promag devices must be powered by an external power supply using terminals 1+ and 2.</p>	<p>Promag 10 W Promag 50 W Promag 51 W</p>	<p style="text-align: right;">EngyCal</p>
<p>Promag 10 W Promag 50 W Promag 51 W</p>	<p style="text-align: right;">EngyCal</p>		

A0014183

<p>DP sensors: Deltabar M PMD55, Deltabar S PMD 70/75</p>	
---	--

A0014184

5.3.2 Temperature

<p>Connecting the RTD sensors</p>	<p>A = 2-wire connection B = 3-wire connection C = 4-wire connection * only use in event of energy calculation with heat differential /T, temperature sensor in steam Terminals 1, 2, 5, 6: temperature Terminals 3, 4, 7, 8: temperature</p>
-----------------------------------	--

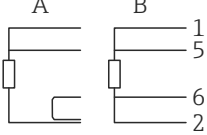
A0014529

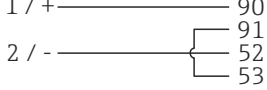
<p>Temperature transmitter connection</p>	<p>A = without external power supply of the transmitter, B = with external power supply of the transmitter ** only use in event of energy calculation with heat differential /T, temperature sensor in steam Terminals 90, 91: transmitter power supply Terminals 52, 53: temperature input</p>
---	---

A0014528

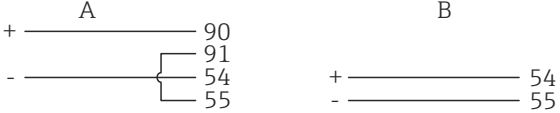
To ensure the highest level of accuracy, we recommend using the RTD 4-wire connection, as this compensates for measurement inaccuracies caused by the mounting location of the sensors or the line length of the connecting cables.

Endress+Hauser temperature sensors and transmitters

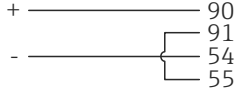
<p>Connection for TR10 RTD sensor</p>	 <p>A = 3-wire connection B = 4-wire connection Terminals 1, 2, 5, 6: temperature</p> <p style="text-align: right;">A0014530</p>
---------------------------------------	--

<p>Connection of TMT181, TMT121 temperature transmitter</p>	 <p>Terminals 90, 91: transmitter power supply Terminals 52, 53: temperature</p> <p style="text-align: right;">A0014531</p>
---	--

5.3.3 Pressure


<p>Pressure sensor connection</p>	 <p>A = 2-wire sensor with power supply via the steam calculator B = 4-wire sensor with external power supply Terminals 90, 91: transmitter power supply Terminals 54, 55: pressure</p> <p style="text-align: right;">A0015152</p>
-----------------------------------	--

Endress+Hauser Cerabar M, Cerabar S pressure transmitter

<p>Cerabar M, Cerabar S</p>	 <p>Terminals 90, 91: transmitter power supply Terminals 54, 55: pressure</p> <p style="text-align: right;">A0014532</p>
-----------------------------	---

5.4 Outputs

5.4.1 Analog output (active)


This output can be used either as a 0/4 to 20 mA current output or as a voltage pulse output. The output is galvanically isolated. Terminal assignment, →  18.

5.4.2 Relay

The two relays can be switched in case of fault messages or a limit violation.

Relay 1 or 2 can be selected under **Setup** → **Advanced setup** → **System** → **Fault switching**.

Limit values are assigned under **Setup** → **Advanced setup** → **Application** → **Limits**.

Possible settings for limit values are described in the "Limits" section, →  40.

5.4.3 Pulse output (active)

Voltage level:


- 0 to 2 V corresponds to Low level
- 15 to 20 V corresponds to High level

Maximum output current: 22 mA

5.4.4 Open collector output

The two digital outputs can be used as status or pulse outputs. Make the selection in the following menus **Setup** → **Advanced setup** or **Expert** → **Outputs** → **Open collector**

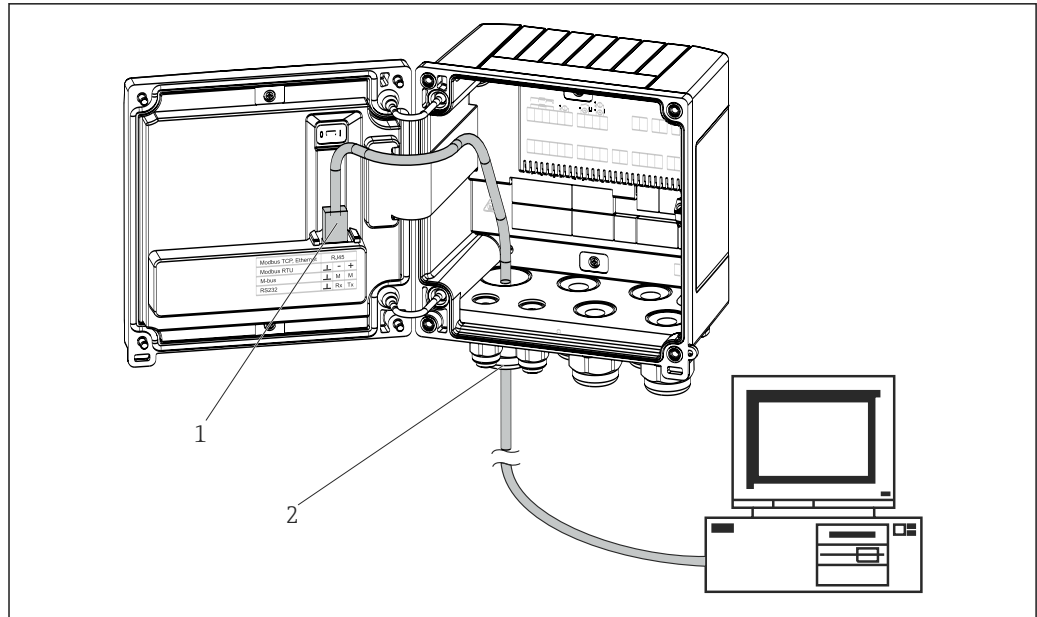
5.5 Communication

 The USB interface is always active and can be used independently of other interfaces. Parallel operation of multiple optional interfaces, e.g. fieldbus and Ethernet, is not possible.

5.5.1 Ethernet TCP/IP (optional)

The Ethernet interface is galvanically isolated (testing voltage: 500 V). A standard patch cable (e.g. CAT5E) can be used to connect the Ethernet interface. A special cable gland is available for this purpose which allows users to guide pre-terminated cables through the housing. Via the Ethernet interface, the device can be connected using a hub or a switch or directly to office equipment.

- Standard: 10/100 Base T/TX (IEEE 802.3)
- Socket: RJ-45
- Max. cable length: 100 m



A0014600

21 Connection of Ethernet TCP/IP, Modbus TCP

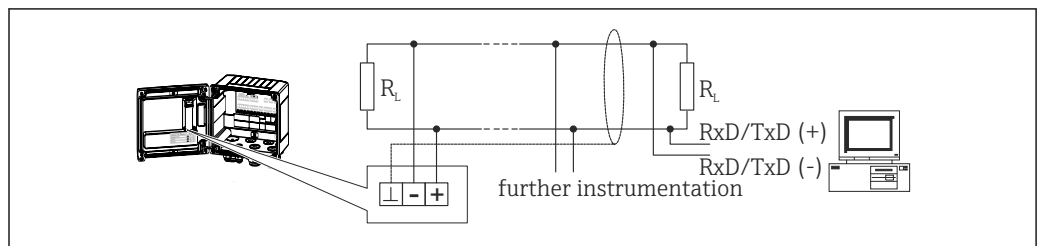
- 1 Ethernet, RJ45
- 2 Cable entry for Ethernet cable

5.5.2 Modbus TCP (optional)

The Modbus TCP interface is used to connect the device to higher-order systems to transmit all measured values and process values. Form a physical point of view, the Modbus TCP interface is identical to the Ethernet interface. → 21, 26

5.5.3 Modbus RTU (optional)

The Modbus RTU (RS-485) interface is galvanically isolated (testing voltage: 500 V) and used to connect the device to higher-order systems to transmit all measured values and process values. It is connected via a 3-pin plug-in terminal in the housing cover.

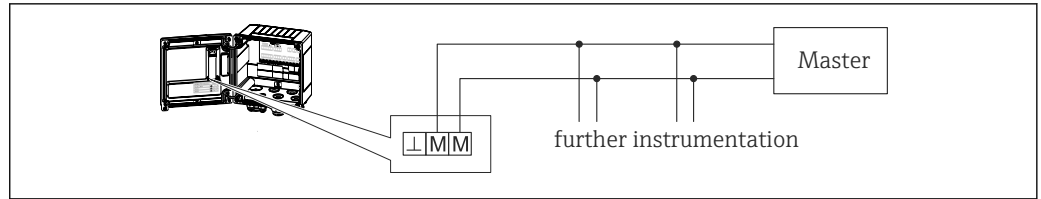


A0014603-EN

22 Connection of Modbus RTU

5.5.4 M-Bus (optional)

The M-Bus (Meter Bus) interface is galvanically isolated (testing voltage: 500 V) and used to connect the device to higher-order systems to transmit all measured values and process values. It is connected via a 3-pin plug-in terminal in the housing cover.



A0014604-EN

23 Connection of M-Bus

5.6 Post-connection check

After completing the device's electrical installation, carry out the following checks:


Device condition and specifications	Notes
Is the device or cable damaged (visual inspection)?	-
Electrical connection	Notes
Does the supply voltage match the specifications on the nameplate?	100 to 230 V AC/DC ($\pm 10\%$) (50/60 Hz) 24 V DC (-50% / $+75\%$) 24 V AC ($\pm 50\%$) 50/60 Hz
Do the cables have adequate strain relief?	-
Are the power supply and signal cables correctly connected?	See wiring diagram on the housing


6 Operation

6.1 General information regarding operation

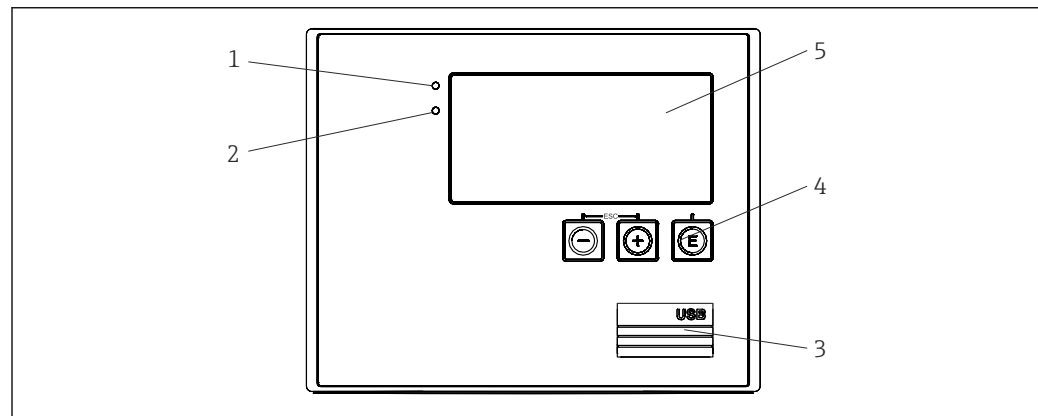
The steam calculator can be configured using operating keys or with the help of the "FieldCare" operating software.

The operating software, including the interface cable, is available as an order option, i.e. it is not included in the basic scope of delivery.

Configuration is disabled when the device is locked via the write protection switch
→  29, operator code or digital input.


Details, →  44

6.2 Display and operating elements



 24 Display and operating elements of the device

- 1 Green LED, "Operation"
- 2 Red LED, "Fault message"
- 3 USB connection for configuration
- 4 Operating keys: -, +, E
- 5 160x80 dot-matrix display

 Green LED if voltage present, red LED in the event of an alarm/error. Green LED is always lit once the device is supplied with power.

Red LED flashing slowly (approx. 0.5 Hz): The device has been set to the bootloader mode.

Red LED flashing quickly (approx. 2 Hz): During normal operation: maintenance required. During firmware update: data transmission in progress.

Red LED remains lit: Device error.

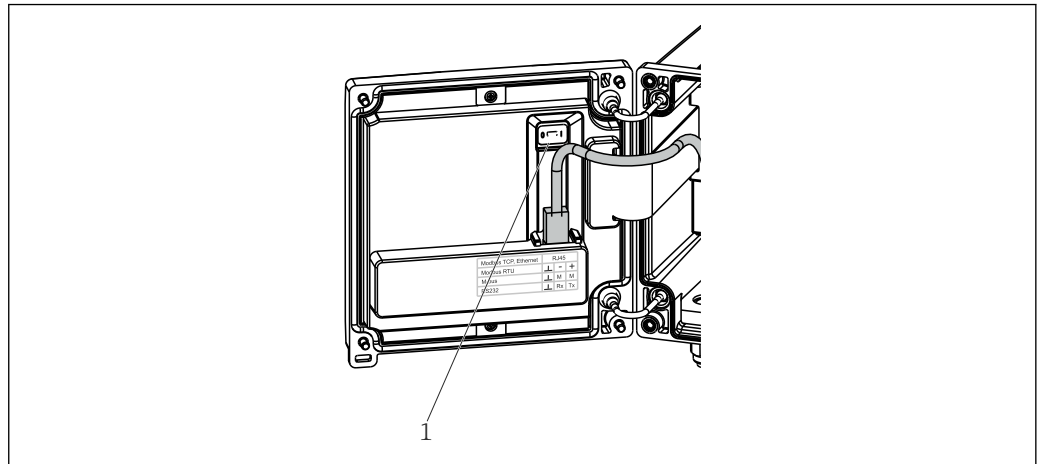
6.2.1 Operating elements

3 operating keys, "-", "+", "E"

Esc/Back function: Press "-" and "+" simultaneously.

Enter/Confirm entry function: Press "E"

Write protection switch



25 Write protection switch

1 Write protection switch on rear of housing cover

A0015168

6.2.2 Display

1		2	
Group 1		Group 2	
P	73,3 kW	M	0,1 t/h
ΣE	69461,1 kWh	Temp.	170,9 °C
ΣM	83,0 t	P	5,2 bar (a)

26 Steam calculator display (example)

1 Group 1 display

2 Group 2 display

A0014533

6.2.3 "FieldCare Device Setup" operating software

To configure the device using the FieldCare Device Setup software, connect the device to your PC via the USB interface.

Establishing a connection


1. Start FieldCare.
2. Connect the device to the PC via USB.
3. Create project in File/New menu.
4. Select Communication DTM (CDI Communication USB).
5. Add device EngyCal RS33.
6. Click Connect.
7. Start parameter configuration.

Continue with device configuration in accordance with these Operating Instructions for the device. The complete Setup menu, i.e. all of the parameters listed in these Operating Instructions, can also be found in the FieldCareDevice Setup.

NOTICE**Undefined switching of outputs and relays**

- ▶ During configuration with FieldCare, the device may assume undefined statuses! This may result in the undefined switching of outputs and relays.


6.3 Operating matrix


A complete overview of the operating matrix, incl. all of the configurable parameters, can be found in the appendix, →  79.


Language	Picklist with all available operating languages. Select the language of the device.
Display/operation menu	<ul style="list-style-type: none"> ▪ Select the group for display (alternate automatically or fixed display group) ▪ Configure brightness and contrast of display ▪ Display saved analyses (day, month, year, billing date, totalizer)
Setup menu	<p>The parameters for quick commissioning of the device can be configured in this setup. The advanced setup contains all of the essential parameters for configuring the device function.</p> <ul style="list-style-type: none"> ▪ Units ▪ Pulse value, value ▪ Date and time ▪ Pressure <p style="text-align: right;">Parameters for quick commissioning</p> <p>Advanced setup (settings that are not essential for the basic operation of the device)</p> <p>Special settings can also be configured via the "Expert" menu.</p>
Diagnostics menu	<p>Device information and service functions for a swift device check.</p> <ul style="list-style-type: none"> ▪ Diagnostic messages and list ▪ Event logbook ▪ Device information ▪ Simulation ▪ Measured values, outputs
Expert menu	<p>The Expert menu provides access to all of the operating positions of the device, including fine-tuning and service functions.</p> <ul style="list-style-type: none"> ▪ Skip directly to the parameter via Direct Access (on device only) ▪ Service code to display service parameters (via PC operating software only) ▪ System (settings) ▪ Inputs ▪ Outputs ▪ Application ▪ Diagnostics

7 Commissioning

Make sure that all post-connection checks have been carried out before putting your device into operation:

Checklist in "Post-connection check" section, →  27.

After the operating voltage is applied, the display and the green LED are illuminated. The device is now ready to operate and can be configured via the operating keys or the "FieldCare" parameter configuration software →  29.

 Remove the protective film from the display as this would otherwise affect the readability of the display.

7.1 Quick commissioning/make it run

The standard application for steam mass/energy is commissioned in just a few moments by simply configuring 5 operating parameters in the **Setup** menu.



Prerequisites for quick commissioning:

- Flow transmitter with pulse output
- RTD temperature sensor, 4-wire direct connection
- Absolute pressure sensor with current output 4 to 20 mA

Menu/setup

- **Units:** Select unit type (SI/US)
- **Pulse value:** Select the unit of the pulse value of the flow transmitter
- **Value:** Enter the pulse value of the flow sensor
- **Date/time:** Set the date and time
- **Pressure:** Set the measuring range for the pressure sensor

The device is now operational and ready for measuring the steam mass and heat energy.

You can configure device functions, such as data logging, tariff function, bus connection and the scaling of current inputs for flow or temperature, in the **Advanced setup** →  38 menu or in the **Expert menu**. →  50.



Here, you can also find the settings for the inputs (e.g. when connecting a relative pressure sensor, flow transmitter with a current output etc.).

- **Inputs/flow:**
Select the signal type and enter the start and end of the measuring range (for current signal) or the pulse value of the flow transmitter.
- **Inputs/temperature:**
Select the signal type and enter the type of connection or the start and end of the measuring range (for current signals).
- **Inputs/pressure:**
Select the signal type and the pressure unit (absolute or relative) and enter the start and end of the measuring range.

7.2 Applications

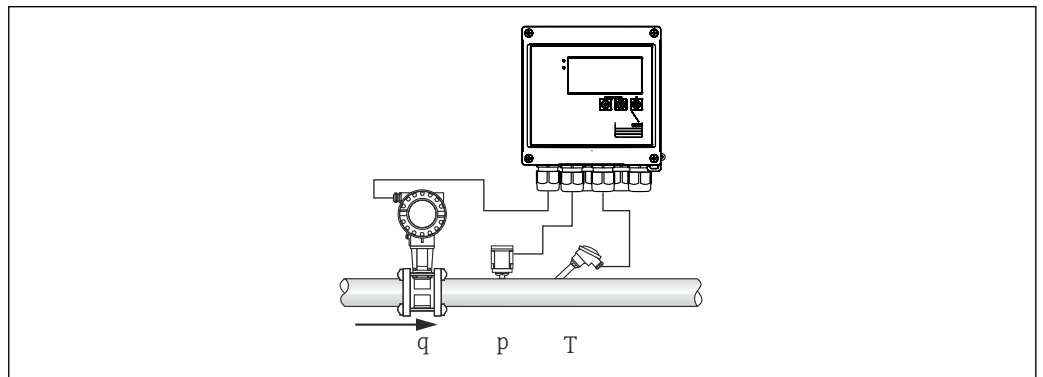
The following is an explanation of the application possibilities, including brief operating instructions for the respective device settings.

The device can be used for the following applications:


- Steam mass and energy, →  33
- Tariff counter for steam mass and energy flow, →  37

7.2.1 Steam mass and energy

Calculation of the mass flow and the quantity of heat it contains at the output of a steam generator or for individual consumers.



A0014377

 27 Steam mass and energy application

Input signals:

Flow, Q_v (pulse input or current input)

Temperature (RTD or current input)

Pressure (current input)

 Users can choose not to perform pressure or temperature measurement when measuring saturated steam (see "Miscellaneous notes").


The pressure and temperature must be measured in order to measure superheated steam.

Required settings:

1. Flow transmitter: enter pulse value or scale current input range
2. Temperature input: select RTD type and temperature range or scale the temperature range
3. Pressure input: select the type of pressure sensor (relative or absolute pressure sensor) and scale the measuring range. If relative pressure is selected, check the value for the ambient pressure and change it if necessary.

Display variables:

Mass flow, power (heat flow), volume flow, temperature, pressure, enthalpy, density.

Meters: mass, energy, volume, deficit counter, (optional tariff counter, →  37, →  41).

Miscellaneous notes:*Wet steam alarm*

You can configure how the device reacts when a wet steam alarm occurs. A wet steam alarm is triggered if the measured temperature reaches or drops below the condensate temperature (saturated steam temperature) calculated on the basis of the pressure. The wet steam alarm indicates that increased steam condensation can be expected. In the event of a wet steam alarm, the saturated steam condition is determined on the basis of the measured pressure and the calculated quantities of steam are totalized by either the "normal" counter, the wet steam counter (tariff counter1) or the deficit counter. For details, see the "Fault mode" section, → 50.

Saturated steam measurements

You do not require the pressure or temperature sensor to measure the saturated steam. The missing variable (P or T) is determined using the saturated steam curve stored in the system. However, for reasons of safety and to ensure maximum accuracy, it is advisable to measure the flow, pressure and temperature for every steam application. This is the only way to monitor the steam condition closely and ensure a "wet steam alarm" is issued when the condensate temperature of the steam is reached. In addition, this reliably monitors whether pressure and temperature measurement return implausible values and whether the sensors are not operating correctly. Any inaccuracies in the temperature measurement (e.g. caused by installation errors) are easily detected and corrected.

Example: During ongoing operation, the measured temperature is below the saturated steam temperature which would mean that pure water is flowing through the steam pipes. By entering an offset value, the temperature measurement can be adjusted to a value slightly above (approx. 1-2 °C (1.8-3.6 °F)) the saturated steam temperature. This ensures that steam measurement works correctly and that a wet steam alarm is only issued when real measured errors or process errors occur.

Energy calculation:

The heat content of steam - also known as the enthalpy - is calculated with reference to 0 °C (32 °F). However, the reference temperature for calculating the enthalpy can be changed from 0 °C (32 °F) to another value.

Example: You want to calculate the energy needed to generate steam (in a steam boiler). Here, the reference value for calculating the energy is the feedwater temperature, e.g. 100 °C (212 °F), and not 0 °C (32 °F). Alternatively you can also calculate the energy consumption in a heat exchanger by setting the average condensate temperature as the reference temperature.

The reference temperature can be set in the Expert/Application/Feedwater Temperature menu.

Calculate

$$E = q * \rho(T, p) * [h_D(T, p)]$$

E	Quantity of heat
q	Operating volume
ρ	Density
T	Temperature
p	Pressure
h_D	Enthalpy of steam

7.2.2 Steam heat differential

Calculation of the quantity of heat given off when the steam condenses in a heat exchanger.

Alternatively, also calculation of the quantity of heat (energy) which is used to generate the steam.

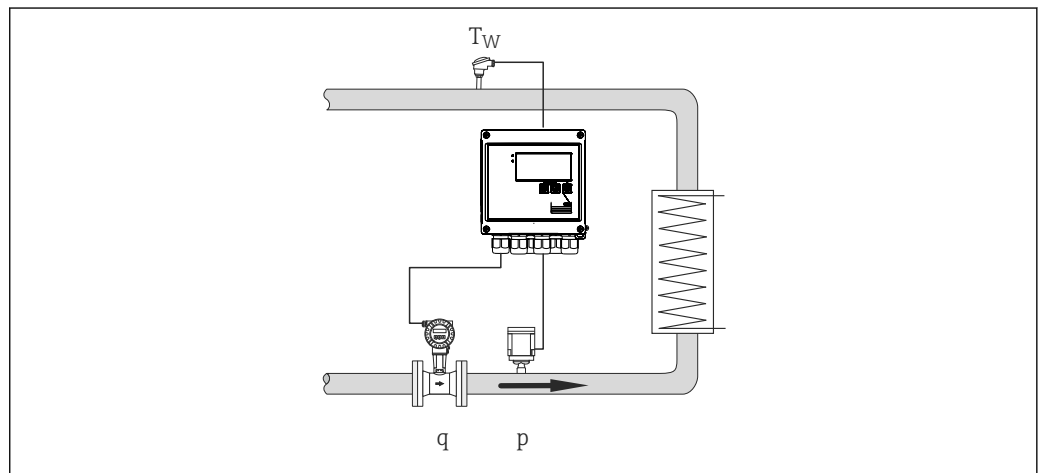
The quantity of heat can be calculated in a variety of ways with the RS33. Various combinations of input signals and installation locations can be selected for this purpose.

The various calculation methods can be found in the Setup:

Menu Setup → Advanced setup → Application → Op. mode steam

Heat differential/p

The energy is calculated from the difference between enthalpy(steam) and enthalpy(condensate temperature). The condensate pressure is calculated from the condensate temperature, while the steam temperature is calculated from the steam pressure (saturated steam curve).



A0022321

Input signals:

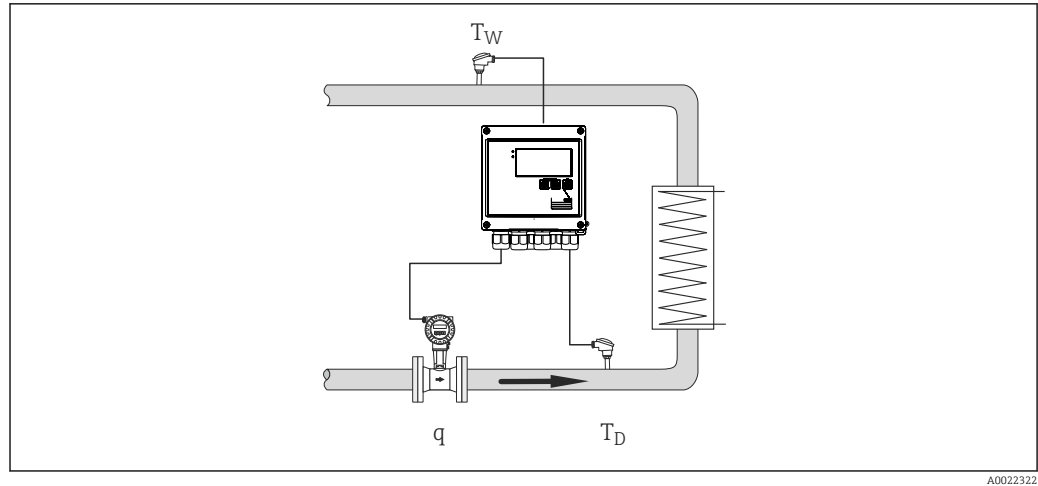
Flow, Q_v (pulse input or current input)

Condensate temperature (RTD or current input)

Steam pressure (current input)

Heat differential/T

The energy is calculated from the difference between enthalpy(steam) and enthalpy(condensate temperature). The condensate pressure is calculated from the condensate temperature, while the steam pressure is calculated from the steam temperature (saturated steam curve).



A0022322

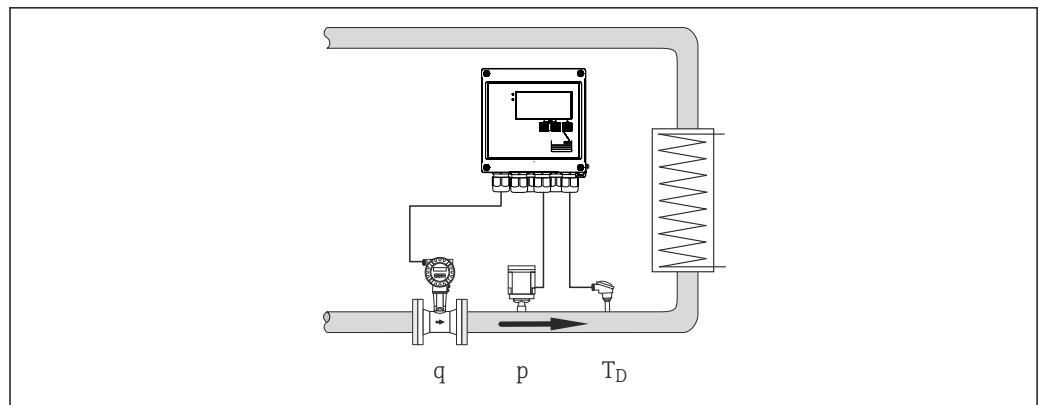
Input signals:Flow, Q_v (pulse input or current input)

Condensate temperature (RTD or current input)

Steam temperature (RTD or current input)

Heat differential/p+T

The energy is calculated from the difference between enthalpy(steam) and enthalpy(condensate temperature). It is presumed that the pressure in the condensate corresponds to the pressure in the steam. The condensate pressure is calculated from the condensate temperature, while the steam pressure is calculated from the steam temperature (saturated steam curve).



A0022323

Input signals:Flow, Q_v (pulse input or current input)

Steam temperature (RTD or current input)

Steam pressure (current input)

Display variables for all 3 calculation methods:

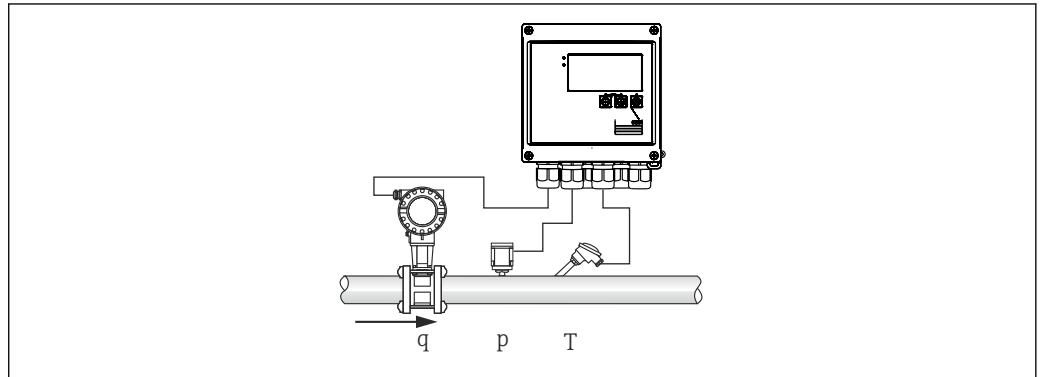
Power (heat flow), mass flow, volume flow, temperature, pressure, enthalpy, density.

Totalizer: mass, energy, volume, deficit counter

7.2.3 Tariff counter for steam mass and energy flow (option)

This is used for calculating the steam mass flow and the heat quantity it contains. The mass or energy are calculated on different counters depending on specific events. For example, the quantity of steam can be recorded separately and invoiced differently depending on the time of day or the level of consumption.

Similarly bidirectional flow and energy can be recorded on the tariff counters.



▣ 28 Using the tariff counter for steam mass and energy flow (option)

Input signals:

Flow, Q_v (pulse input or current input)

Pressure (current input)

Temperature (RTD or current input)

i Users can choose not to perform pressure or temperature measurement when measuring saturated steam (see "Miscellaneous notes").

Required settings:

1. Flow transmitter: enter pulse value or scale current input range
2. Temperature input: select RTD type and temperature range or scale the temperature range
3. Pressure input: select the type of pressure sensor (relative or absolute pressure sensor) and scale the measuring range. If relative pressure is selected, check the value for the ambient pressure and change it if necessary.
4. Select the tariff model and make the tariff settings. Set under: menu Setup → Application → Tariff

Display variables:

Power, volume flow, temperature, enthalpy difference, density.

Meters: mass, energy, volume, energy deficit counter, tariff counter.

Miscellaneous notes

- For notes on the wet steam alarm and saturated steam measurements, → ▣ 33.
- The tariff counter can be used to record the quantity of steam during a wet steam alarm ("Wet steam" tariff model).








The tariff counters are activated via the digital inputs or a limit value (e.g. mass flow 0 kg/h) to record the amounts in bidirectional mode.

Calculate

$$E = q * \rho(T, p) * [h_D(T, p)]$$

E	Quantity of heat
q	Operating volume
ρ	Density
T	Temperature
p	Pressure
h_D	Enthalpy of steam

7.3 Configuring the basic parameters/general device functions


- Inputs, →  38
- Outputs, →  39
- Limits, →  40
- Display/units, →  41
- Data logging, →  42
- Access protection/locking, →  44
- Communication/fieldbuses, →  45

7.3.1 Inputs

Flow pulse transmitter

The pulse input can process different current and voltage pulses. The software can switch to different frequency ranges:

- Pulses and frequencies up to 12.5 kHz
- Pulses and frequencies up to 25 Hz (for bounce contacts, max. bounce time: 5 ms)

The input for voltage pulses and contact sensors is divided into different types according to EN1434 and provides a supply for switching contacts, →  22.

Pulse value and K-factor


For all signal types, the pulse value of the flow transmitter has to be entered.

The calculation of the current value for the volume flow is floating; therefore, it decreases continuously with slow pulses. After 100 seconds or if the value is less than the low flow cut off, the flow value becomes 0.

The pulse value of flow transmitters is defined differently depending on the transmitter type. As a result, different units can be selected for the pulse value at the device.

- Pulse/volume unit (e.g. pulses/liter), also known as the K-factor (e.g. Prowirl),
- Volume unit/pulses (e.g. liters/pulse, Promag, Prosonic)

Flow current signal

For flow transmitters with current signal output, the flow measuring range is scaled in the Advanced setup →  79.

 The configuration of flow measurements according to the differential pressure principle (DP, for example: orifice plate) is described in →  52.

Adjustment/calibration of the current input

To adjust the current inputs, a two-point calibration can be carried out in the Expert menu, for example to correct the long-term drift of the analog input.

Example: flow signal 4 mA (0 m³/h), but the device displays 4.01 mA(0.2 m³/h). If you enter the set point 0 m³/h, actual value: 0.2 m³/h, the device "learns" a new 4 mA value. The set point must always be within the measuring range.

Low flow cut off

Volume flows below the configured low flow cut off value are evaluated as zero (not measured on the counter). This is used to suppress measured values, for example at the lower limit of the measuring range.

For the pulse input, the minimum permitted frequency can be determined from the low flow cut off. Example: low flow cutoff 3.6 m³/h (1 l/s), pulse value of the transmitter: 0.1 l. 1/0.1 = 10 Hz. This means that after 10 s the value "0" is displayed for volume flow and power.

For analog signals, two variants of low flow cut off exist:

- Positive flow measuring range, e.g. 0 to 100 m³/h: values less than the low flow cut off value are valued at zero.
- Negative start of measuring range (bidirectional measurement), e.g. -50 to 50 m³/h: Values around the zero point (+/- low flow cut off value) are valued at zero.

Temperature Inputs

To measure the temperature, RTD sensors can be connected directly or via transmitter (4 to 20 mA). For the direct connection, sensors of types PT 100/500/1000 can be used. For PT 100 sensors, users can choose from different measuring ranges for high and low temperature differences to ensure maximum accuracy:

Menu **Setup** → **Advanced setup** → **Inputs** → **Temperature** → **Range**.

The measuring range can be scaled individually if a current signal is used:

Menu **Setup** → **Advanced setup** → **Inputs** → **Temperature** → **Range start** and **Meas. range end**.

Digital inputs

Two digital inputs are available: Depending on the options of the device, the following functions can be controlled via the digital inputs:

Digital input 1	Digital input 2
Activate tariff counter 1 Time synchronization Lock device	Activate tariff counter 2 Time synchronization Lock device

7.3.2 Outputs

Universal output (active current and pulse output)

The universal output can be used as a current output to output a current value (e.g. power, volume flow) or as an active pulse output to output counter values (e.g. volume).

Open collector outputs

The two open collector outputs can be used as a pulse output to output counter values or as a status output to output alarms (e. g. instrument error, limit value violation).

Relay

The two relays can be switched in case of fault messages or a limit violation.

Relay 1 or 2 can be selected under **Setup** → **Advanced setup** → **System** → **Fault switching**.

Limit values are assigned under **Setup** → **Advanced setup** → **Application** → **Limits**. Possible settings for limit values are described in the "Limits" section.

7.3.3 Alarm limits

To monitor the process and/or the device, events and limits can be defined. Off-limit conditions are entered in the event log and the data archive. You can also assign different limits (alarms) to one relay.

The following operating modes are available for the limit function:

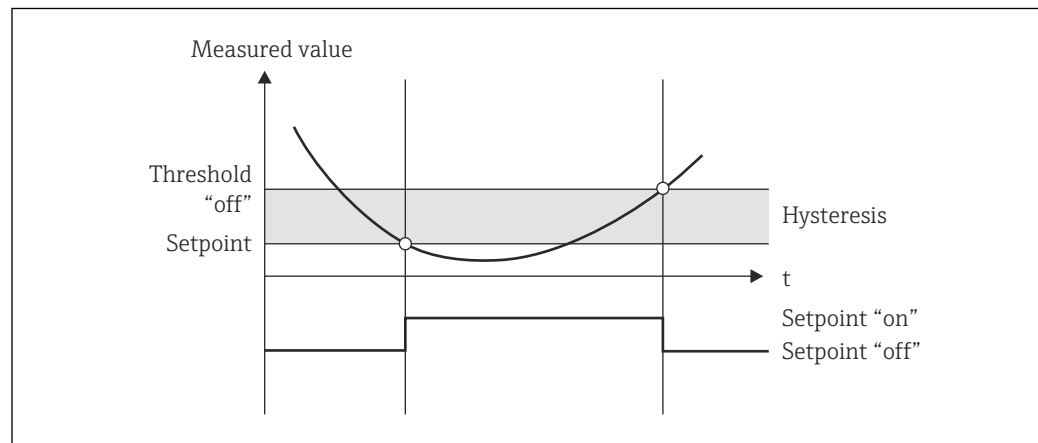
Off

No action is triggered. The assigned output is always in normal operating status.

Lower set point (SP lower)

The limit value is active if the configured value is undershot. The limit value is disabled if the value, including hysteresis, exceeds the limit value.

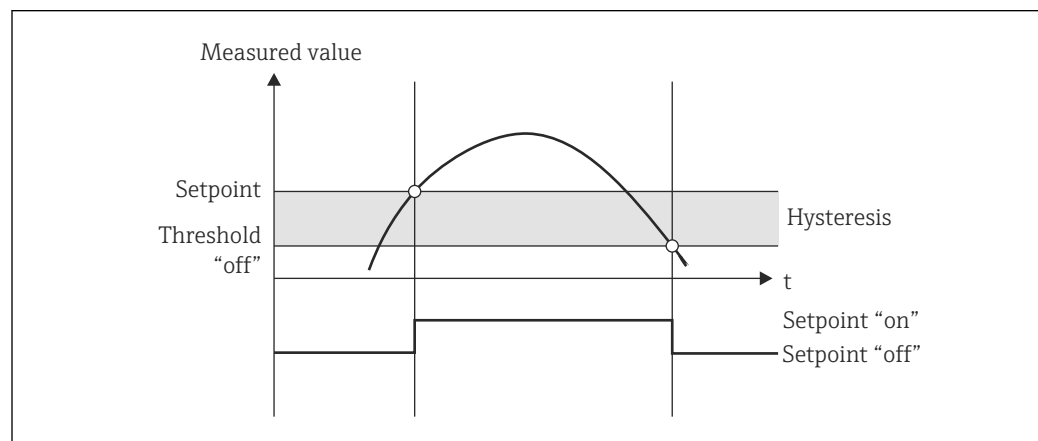
Example: Limit value 100 °C (212 °F), hysteresis 1 °C (1.8 °F) → Limit value on = 100 °C (212 °F), limit value off = 101 °C (213.8 °F).



29 "SP lower" operating mode

Upper set point (SP upper)

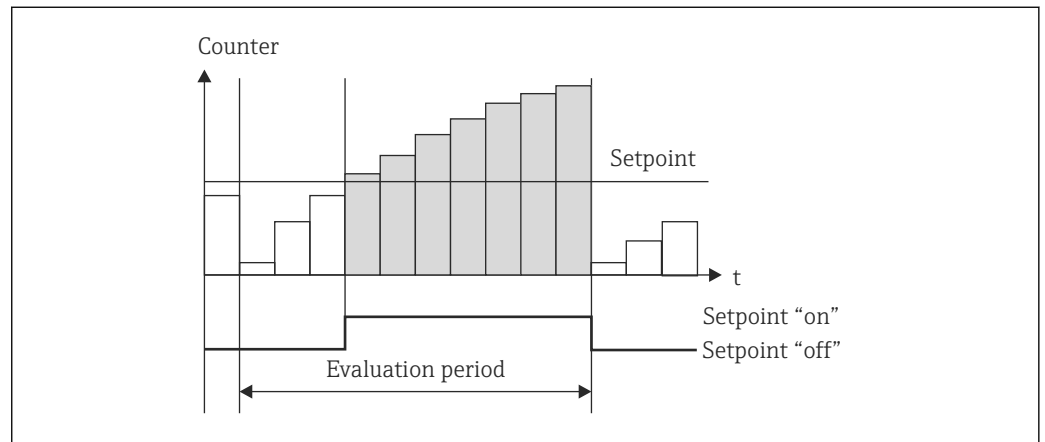
The limit value is active if the value exceeds the configured value. The limit value is switched off if the limit value, including hysteresis, is undershot.



30 "SP upper" operating mode

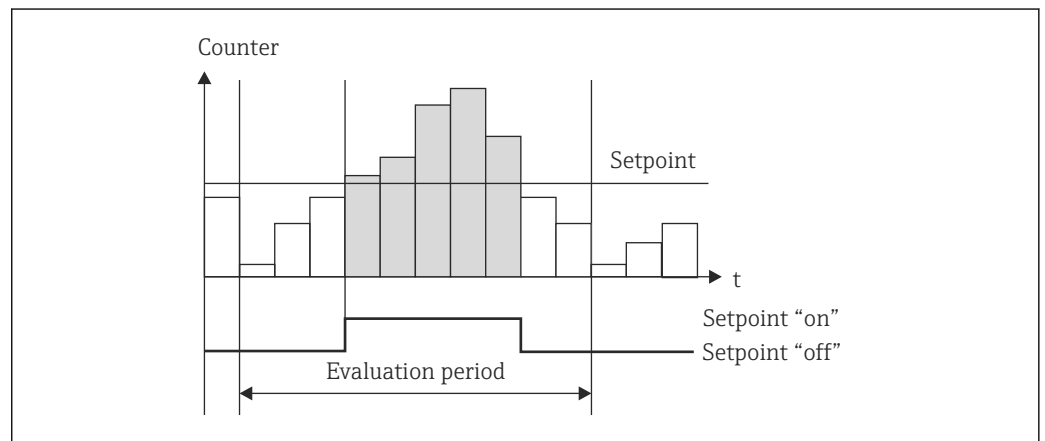
Counters (day/month/year/billing date counter)

The limit value alarm is triggered if the value exceeds the configured counter value. The limit value alarm is deactivated at the end of the evaluation period (e.g. 1 day for daily counter) or if the counter reading is undershot (e.g. for bidirectional operation).



A0013691-EN

31 Limit value for counters



A0013692-EN

32 Limit value for counters

7.3.4 Display settings and units


Display settings

In the **Setup** → **Advanced setup** → **Application** → **Display groups** menu, select which process values are shown on the display. For this purpose, 6 display groups are available. A group can be assigned up to 3 values. For a three-line display, the values are displayed in a smaller font size. A user-defined name can be assigned to each group (max. 10 characters). This name is displayed in the header. When the device is delivered, the display groups are preconfigured according to the following table.

Group	Value 1	Value 2	Value 3
1	Power	Energy	User-defined
2	Mass flow	Temperature	Pressure
3	Pulse value Q	User-defined	User-defined
4	User-defined	User-defined	User-defined

Group	Value 1	Value 2	Value 3
5	User-defined	User-defined	User-defined
6	Actual date	Actual time	User-defined

Display mode

The display mode is selected in the Display/operat menu. You configure the brightness, contrast and the switching mode of the display, i.e. whether switching between the display groups takes place automatically or by pressing a button. In this menu, you can also call up the current values for data recording (interval, day, month and billing date counter) under "stored values". (For details →  42, see Data logging)

Hold function – "freezing" the display

The entire measured value acquisition can be "frozen" using an operating option, i.e. the input variables remain at the last measured value and the counter readings are not incremented any higher. The measured values during Hold mode are ignored for data logging. The hold function is enabled/disabled in the Diagnostics menu and stopped automatically if no button is pressed for 5 minutes.

No. of Sums/counter overflow

Counters are limited to max. 8 digits before the decimal point (for counters that require signs, to 7 characters). If the counter reading exceeds this value (overflows), it is reset to zero. The number of overflows for each counter is recorded on overflow counters. A counter overflow is shown on the display with the "^" icon. The number of overflows can be called up in the **Display/operat.** → **Stored values** menu.

Units

The units for scaling and displaying the process variables are configured in the respective submenus (e.g. the unit for displaying the temperature is configured under Inputs/ Temperature).

To make device setting easier, the unit system is selected at the beginning of device commissioning.

- EU: SI units
- USA: imperial units

This setting sets the units in the individual submenus to a certain value (default), e.g. SI: m³/h, °C, kWh.

If a unit is converted subsequently, no automatic conversion of the associated (scaled) value takes place!

For conversion of the units, see appendix →  96.


7.3.5 Data logging

The device stores relevant measured values and counter data at defined times. In an adjustable interval (1 min – 12 h), the averages for volume flow, power, temperature and pressure are calculated and stored. The average values for volume flow, power, temperature and pressure are calculated daily, monthly and annually. In addition, the min/max values are determined and stored together with the counter values. In addition, two user-defined billing dates can be used to define a time frame for measuring energy, e.g. for semiannual billing.

Current day, monthly and billing date counters can be called up in the **Display/operat.** → **Stored values** menu. In addition, all counters can be shown as a display value (can be allocated to a display group).

The entire data archive, i.e. all stored values, can be read out using the "Field Data Manager Software" only.

Specifically, the following data are stored in the device:

Analysis	Calculate
Window	Calculating and storing the average for: <ul style="list-style-type: none"> ▪ Temperature ▪ Pressure ▪ Mass flow ▪ Power
Day	Calculation of min, max and average as well as stored counters. The min and max value are calculated from the instantaneous min/max values. The average is calculated from the averages of the interval evaluation. Min, max and average values are determined for: <ul style="list-style-type: none"> ▪ Mass flow ▪ Power ▪ Temperature ▪ Pressure Counters are determined for: <ul style="list-style-type: none"> ▪ Operating volume ▪ Heat (energy) ▪ Tariff 1 ▪ Tariff 2 ▪ Deficit counter  For counters, the cumulative counter and the totalizer are stored. For min and max, the time is also stored.
Month	Similar to day, but with average calculation from the daily averages.
Year	Similar to day, but with average calculation from the monthly averages.
Billing date	The following counters are determined: <ul style="list-style-type: none"> ▪ Operating volume ▪ Heat (energy) ▪ Tariff 1 ▪ Tariff 2 ▪ Deficit counter The evaluation always takes place from billing date to billing date.

General notes for data logging

The time of data logging (start time of the logging intervals) can be configured and/or synchronized via the time of day.


The current evaluations (min/max/average, counter) can be reset to zero individually or completely via setup. The archived values (completed evaluations) can no longer be changed! To clear these out, the entire measured value memory must be deleted.

Storage capacity

The device should be read out regularly using the "Field Data Manager Software" to ensure seamless data logging. Depending on the storage depth, the interval, daily, monthly and annual counters are overwritten after a certain time, see the table below.

Analysis	No. of analyses
Window	Approx. 875
Day	260 days
Month/year/billing date	17 years
Events	At least 1600 (depending on the length of the message text)

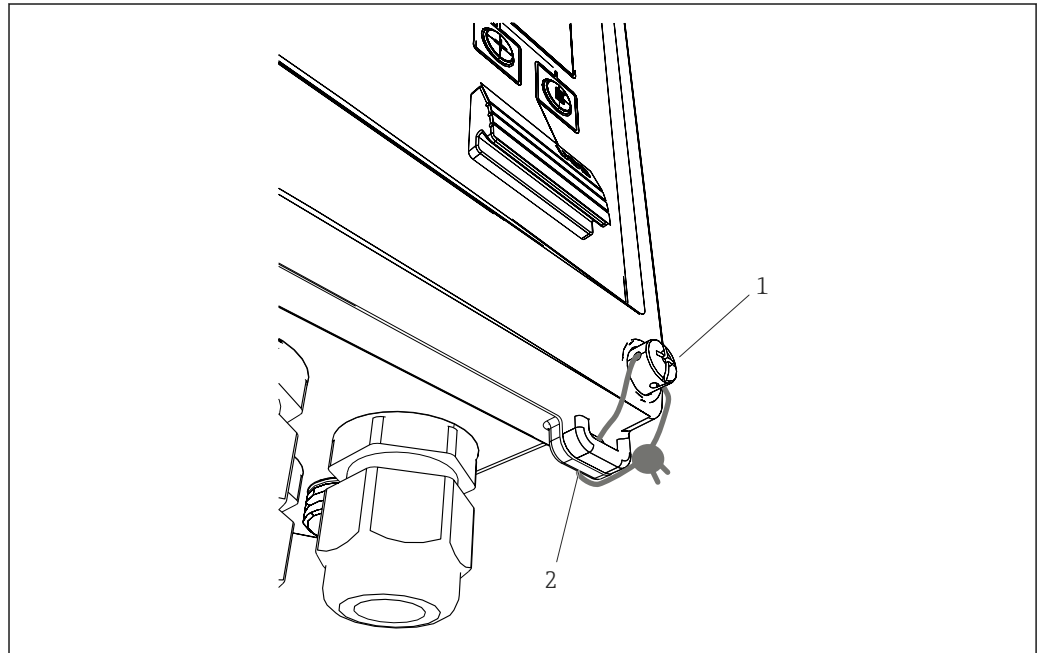
7.3.6 Access protection

To prevent tampering, the device can be protected using a hardware switch in the device
 →  29, an operating code, lead seal and/or by locking via a digital input.

Protection by code

The entire local operation can be protected by a 4-digit code (default is 0000, i.e. no protection). After 600 s without operation, the device is locked again automatically.

Lead sealing on the device



A0014189

33 Lead sealing of the device

- 1 Lead sealing screw
- 2 Housing eyelet

For lead sealing of the device, a lead sealing screw (item 1) and an eyelet (item 2) are available on the device.

Complete locking

If you want to prevent any and all access to the device, the entire device can be locked by applying a signal at the digital input. The data can still be read out via an interface.

7.3.7 Logbooks

Changes to the setup are recorded in entries in the event logbook.

Event logbook

The event logbook stores events such as alarms, off-limit conditions, setup changes, etc. with the date and time specified. The memory is sufficient for at least 1600 messages (however, depending on the text length, it is possible for more messages to be stored). If the memory is full, the oldest messages are overwritten. The logbook can be read out via the Field Data Manager software or on the device. To exit the logbook quickly, press the +/- keys simultaneously.

7.3.8 Communication/fieldbuses

General notes

The device has (optional) fieldbus interfaces for reading out all process values. Values can be written to the device only in the context of device configuration (via the FieldCare operating software and USB or Ethernet interface). Process values such as flow cannot be transmitted to the device via the bus interfaces.

Depending on the bus system, alarms or faults occurring during data transmission are displayed (e.g. status byte).

The process values are transferred in the same devices that are used for display at the device. Only for the M-Bus are units converted, if a unit that is not defined in the bus protocol is used for display.

Only the counter readings of the most recently completed storage period (day, month, year, billing date) can be read out of the memory.

For large counter readings, the places after the decimal point are truncated (e.g. 1234567.1234 → 1234567 or 234567.1234 → 234567.1).

The device can be read out via the following interfaces:

- M-Bus
- Modbus RTU
- Ethernet/Modbus TCP

M-Bus

The M-Bus interface is configured in the **Setup** → **Advanced setup** → **Application** → **M-Bus** menu.

Menu position	Parameter	Description
Baud rate	300/2400/9600	Transmission rate
Device address	1-250	Primary address
ID number	00000000	The identification number is part of the secondary address (see below)
Manufacturer	EAH	EAH (stands for Endress And Hauser), cannot be changed
Version	01	Cannot be changed
Medium	OE	OE (=Bus/System), cannot be changed
Number	0-30	Number of values to be transferred
Value	Volume flow, T warm, etc.	Selection of values to be transferred.

Data format:

- No automatic baud rate detection
- 8 data bits, EVEN parity (not selectable)

Timeout:

The device waits 11 bit times before answering after having received a request.

Operating mode:

Generally, Mode 1 is used, i.e. LSB is transferred first.

Control characters:

- Start character: 10h (short block) or 68h (long block)
- End character: 16h

Primary address

0	New Device (default)
1...250	Freely available
251...252	Reserved (must not be configured)
253	Addressing via secondary addressing
254	Broadcast address, all respond (only for point-to-point)
255	Broadcast address, none responds

Secondary addressing

The identification number, manufacturer ID, version and medium together make up the secondary address. If a device (slave) is addressed by the master via this address, its secondary address is sent with the primary address 253. The device (slave) whose secondary address matches the sent secondary address responds with E5h and is now connected to the master via primary address 253. Further responses from the device (slave) are sent via address 253. A RESET command or the selection of a different bus device (slave) causes the device (slave) to be deselected. This breaks the connection to the master.

The identification number (for secondary addressing) is a unique, 8-digit number within the device that is factory assigned and is generated from the CPU number. This number can be modified on the unit, though not via M-BUS.


The identification number can be configured in the setup function.

The manufacturer ID, version and medium can be displayed in the setup only; they cannot be changed.

Addressing is also possible using wildcards. For the identification number, this is "Fhex" and for the manufacturer ID, version and medium, it is "FFhex".

For the M-Bus, the measured value is transmitted along with the unit (as per EN1434-3). Units that are not supported by M-Bus are transmitted as an SI unit.

Modbus RTU/(TCP/IP)

The device can be connected to a Modbus system via RS485 or Ethernet interface. The general settings for the Ethernet connection are configured in the **Setup** → **Advanced setup** → **System** → **Ethernet** menu, →  48. The configuration for Modbus communication takes place in the **Setup** → **Advanced setup** → **System** → **Modbus** menu.

Menu position	RTU	Ethernet
Device address:	1 to 247	IP address manual or automatic
Baud rate:	2400/4800/9600/19200/38400	-
Parity:	Even/Odd/None	-
Port	-	502
Reg	Register	Register
Value	Value to be transmitted	Value to be transmitted

Transfer of values

The actual Modbus TCP protocol is located between layer 5 to 6 in the ISO/OSI model.

To transmit a value, 3 registers of 2 bytes each are used (2 bytes status + 4-byte float). In the setup, you can configure which register is to be written with which value. The most important/most common values are already preconfigured.

Register 000	Status of first measured value (16-bit integer, high byte first)
Register 001 to 002	First measured value (32-bit float, high byte first)

Validity and limit value information are encoded in the status byte.

16	not used	6	5	4	3	2	1			
				0	0	0	0	0	ok	
				0	0	0	0	1	Open circuit	
				0	0	1	0	0	Over range	
				0	0	1	1	0	Under range	
				0	1	0	0	0	Invalid measured value	
				0	1	1	0	0	Replacement value	
				0	1	1	1	1	Sensor error	
				1						Lower limit value violated
				1						Upper limit value violated
1								Counter overflow		

During the request from the master, the desired start register and the number of registers to be read are sent to the device. Because a measured value always requires three registers, the start register and the number must be divisible by 3.

From the master to the steam calculator:

ga fk r1 r0 a1 a0 c1 c2

- ga Slave address (1..247)
- fk Function, always 03
- r1 r0 Start register (high byte first)
- a1 a0 Number of registers (high byte first)
- c0 c1 CRC checksum (low byte first)

Response from steam calculator for successful request:

ga fk az s1 s0 w3 w2 w1 w0 s1 s0 w3 w2 w1 w0 s1 s0 w3 w2 w1 w0 c1 c0

- ga Device address
- fk Function, always 03
- az Number of bytes of all subsequent measured values
- s1 s0 Status of first measured value (16-bit integer, high byte first)
- w3 w2 w1 w0 First measured value in 32-bit float format, high byte first
- s1 s0 Status of second measured value (16-bit integer, high byte first)
- w3 w2 w1 w0 Second measured value (32-bit float, high byte first)
- s1 s0 Status of last measured value (16-bit integer, high byte first)
- w3 w2 w1 w0 Last measured value (32-bit float, high byte first)
- c0 c1 CRC checksum, 16-bit (low byte first)

Response from steam calculator for unsuccessful request:


ga fk fc c0 c1

- ga Slave address (1..247)
- fk Requested function + 80hex

fc Error code
 c0 c1 CRC checksum, 16-bit (low byte first)
 Error code:

- 01 : Function unknown
- 02 : Start register invalid
- 03 : Number of registers to be read invalid

For checksum or parity errors in the request from the master, the steam calculator does not respond.

 For large counter readings, the decimal points are truncated.
 Additional information on the Modbus is provided in BA01029K.

Ethernet/Web server (TCP/IP)

Setup → Advanced setup → System → Ethernet

The IP address can be entered manually (fixed IP address) or assigned automatically using DHCP.

The port for the data communication is set by default to 8000. The port can be changed in the **Expert** menu.

The following functions are implemented:

- Data communication to PC software (Field Data Manager Software, FieldCare, OPC server)
- Web server
- Modbus TCP →  46

Up to 4 connections can be opened simultaneously, e.g. Field Data Manager software, Modbus TCP and 2x Web server.

However, only one data connection via Port 8000 is possible.

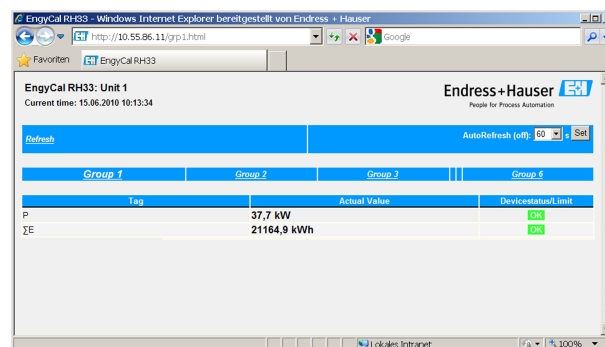
As soon as the max. number of connections is reached, new connection attempts are blocked until an existing connection is terminated.


Web server

If the device is connected via Ethernet, it is possible to export the display values via the internet using a web server.

The web server port is preset to 80. The port can be changed in the **Expert** → **System** → **Ethernet** menu.

 If the network is protected by a firewall, the port may need to be activated.




 34 Display values shown in the web browser (using the example of the EngyCal RH33)

As in the case of the display, you can alternate between the display groups in the web server. The measured values are updated automatically (directly via "link": off/5s/15s/30s/60s). In addition to the measured values, status and limit value flags are displayed.

Data can be exported via the web server in HTML or XML format.

When using an Internet browser, it suffices to enter the address `http://<IP address>` to display the information as HTML in the browser. In addition, two versions of the XML format are available. These versions can be integrated into additional systems as required. The two XML versions contain all the measured values which are assigned to any group.

 The decimal point is always displayed as a period in the XML file. Also, all times are given in UTC. The time difference in minutes is noted in the following entry.

Version 1:

The XML file is available in ISO-8859-1 (Latin-1) encoding at the address `http://<IP address>/index.xml` (alternatively: `http://<IP address>/xml`). However, this encoding cannot display some special characters such as the sum sign. Texts such as digital statuses are not transmitted.

Version 2:

A UTF-8 encoded XML file can be retrieved at the address `http://<IP address>/main.xml`. All the measured values and the special characters can be found in this file.

The structure of the channel values for the XML file is explained as follows:

```
<device      id="ID0104" tag="Flow" type="INTRN">
              <v1>12.38</v1>
              <u1>m3/h</u1>
              <vstslv1>2</vstslv1>
              <hlsts1>ErS</hlsts1>
              <vtime>20120105-004158</vtime>
              <man>Endress+Hauser</man>
              <param />
</device>
```

Day	Description
tag	Channel ident.
v1	Measured value of channel as a decimal value
u1	Unit of measured value
vstslv1	Status of the measured value 0 = OK, 1 = warning, 2 = error
hlsts1	Error description OK, OC = cable open circuit, Inv = invalid, ErV = error value, OR = over range, UR = under range, ErS = error sensor
vtime	Date and time
MAN	Manufacturer

Web server settings

Menu **Setup** → **Advanced setup** → **System** → **Ethernet** → **Web server** → **Yes** or Menu **Expert** → **System** → **Ethernet** → **Web server** → **Yes**

If default port 80 is not available in your network you can change the port in the **Expert** menu.

Enter the address for retrieval in the Web browser: `http://<IP address>`

The following web browsers are supported:



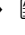


- MS Internet Explorer 6 and higher
- Mozilla Firefox 2.0 and higher
- Opera 9.x and higher

The operating language for the Web server is English. No other languages are offered.

The device makes the data available in HTML or XML format (for the Fieldgate Viewer).


No provision is made for authentication via ID/password.

7.4 Optional device settings/special functions

- "Expert" menu (fine tuning of the device) →  50
- Failure mode →  50
- Tariff counter →  51
- Temperature sensor matching (CVD) →  51
- DP Flow calculation (e.g. orifice plate) →  52


7.4.1 "Expert" menu (fine tuning of the device)

The Expert menu offers access to functions for fine tuning to adapt the device optimally to the application conditions. The user interface corresponds to the Setup/Advanced settings menu plus a few special tuning or service functions, such as adjusting the current inputs and resetting the device to the order configuration.

 Access to the Expert menu requires an access code. The factory default code is "0000".

Adjusting the current inputs

As part of a "2-point correction", the characteristic of the sensor can be adjusted, e.g. to correct the long-term drift of the current input (current output of a sensor) or to calibrate the input signal with display devices or sensors. For this purpose, the actual value and a correction value (set point) are configured for the beginning and end of the measurement range. By default, the offset is disabled, i.e. the set point and actual value are the same for each.

 The set point must always be within the measuring range.

7.4.2 Failsafe mode

In the Expert menu, you can configure the fault mode for each input individually.

- In the position "Namur NE 43", the signal range limits for a current input are defined (the current value at which the "Open circuit" or "Sensor error" alarm is triggered). The NAMUR guideline defines error limits for the sensors. For details, refer to table.
- The "On error" field defines whether the calculation is stopped (invalid) or whether a replacement value (error value) is to be used to calculate the energy quantity during the alarm. The deficit counter is used to record the deficit. For more information, refer to the table.

The fault mode affects the display, counters and outputs as follows.

	Measuring range				
Display	-----	-----	Measured value	Measured value	Measured value
Status	F	F			
Diagnostic message	Open circuit	Sensor error	Under range	Over range	
0 to 20 mA		≥ 22 mA			0 to 22 mA
4 to 20 mA as per Namur NE 43	≤ 2 mA	≥ 21 mA or > 2 mA ... ≤ 3.6 mA	> 3.6 mA ... ≤ 3.8 mA	≥ 20.5 mA ... < 21 mA	> 3.8 mA ... < 20.5 mA
4 to 20 mA without Namur	≤ 2 mA	≥ 22 mA			> 2 mA ... < 22 mA


	Measuring range				
RTD	T outside measuring range				
Result	Configurable in setup: <ul style="list-style-type: none"> ▪ No further calculation and failure current at output ▪ Further calculation with replacement value, normal counter and tariff counter do not move, deficit counter runs, calculated value at output. Value output via buses obtains status byte "invalid value" The "fault" relay/OC switches.		Normal calibration. The "fault" relay/OC is not switched.		


7.4.3 Tariff counter


The tariff function serves to measure the energy on separate counters (registers) when a certain event takes place. For example, the energy can be counted on two separate tariff counters at a power above and below 100 kW.

The function of the standard energy counter is independent of the tariff counters, i.e. it continues running.

The two tariff counters can be activated independently of each other by the following events (tariff models):

Tariff model	Necessary inputs
Power (heat flow)	Upper or lower set point (min/max)
Volume flow	
Mass flow	
Temperature	
Pressure	
Energy	<ul style="list-style-type: none"> ▪ Limit value ▪ The counter to which the set point pertains: Interval/Day/Month/Year/Billing date
Digital input	In the digital input, assign the "Start tariff" function  Tariff 1 can be controlled via digital input 1 only, Tariff 2 via digital input 2.
Time	Time "From" and "To" in the format HH:MM (HH:MM AMPM)
Wet steam	Counter type: Energy or mass

 The tariff counter is an energy counter! The unit is identical to the "normal" energy counter.

In case of an alarm, the tariff counters behave in the same way as the standard counters →  50.

If the tariff type is changed, the counter reading is reset to zero! →  50

7.4.4 Temperature calibration (CVD)

The temperature calibration function enables you to store the individual characteristics of temperature sensors in the device. In this way, any desired temperature sensors can be paired electronically, which ensures highly accurate measurement of process temperature, temperature differential and energy.

As part of the temperature sensor calibration (electronic pairing), what are known as Callendar von Dusen coefficients of the general cubic temperature function equation (IEC751) are replaced by sensor-specific A, B and C coefficients.

To store the curves, select the signal type "Platinum RTD (CvD)" in the Inputs/Temperature menu. Entry of the coefficients takes place in the Inputs/Temperature/Linearization CvD menu.

Linearizing equations as per Callendar van Dusen

Range $-200\text{ }^{\circ}\text{C}$ ($-328\text{ }^{\circ}\text{F}$) to $< 0\text{ }^{\circ}\text{C}$ ($32\text{ }^{\circ}\text{F}$) $R_t = R_0 * [1 + A * t + B * t^2 + (t - 100) * C * t^3]$

Range $\geq 0\text{ }^{\circ}\text{C}$ ($32\text{ }^{\circ}\text{F}$) $R_t = R_0 * (1 + A * t + B * t^2)$

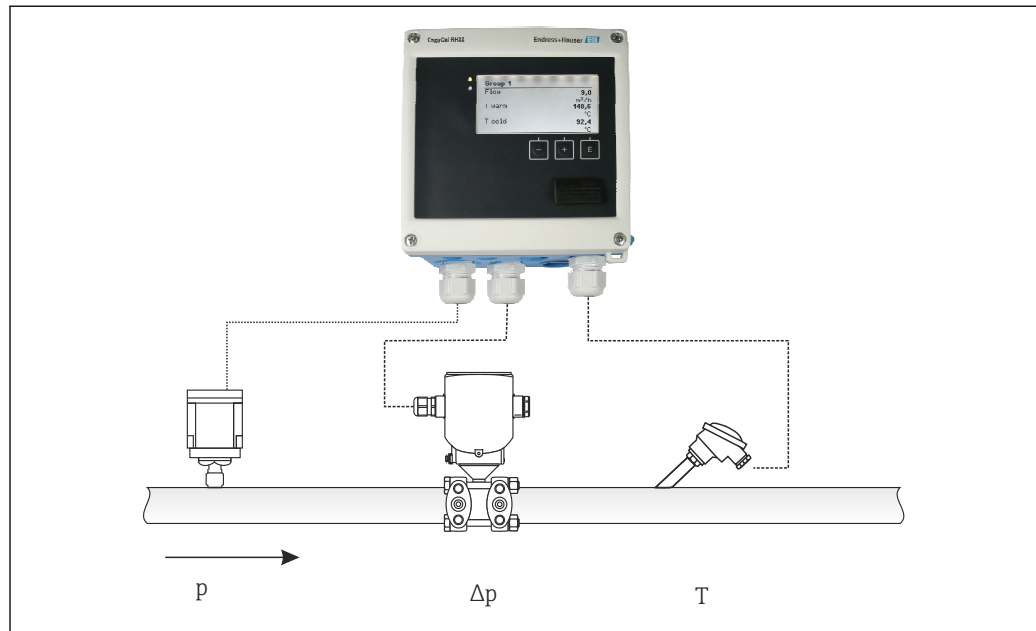
Operating options	Description/remarks
R0	See equation. Input in ohms. Range: 40.000 to 1 050.000 Ohm
A, B, C	CvD coefficients. Input in Exp format (x,yyE±zz)

7.4.5 DP flow calculation (flow measurement according to active pressure method)

General notes

The steam calculator calculates the flow according to the differential pressure method as per the ISO5167 standard.

Unlike conventional differential pressure measurement methods, which provide accurate results at the design point only, the device calculates the coefficients of the flow equation (flow coefficient, velocity approach factor, expansion number, density etc.) continuously and iteratively. This ensures that the flow is always computed with the greatest of accuracy, even with fluctuating process conditions and completely independently of the design conditions (temperature and pressure in the sizing parameters).



35 DP flow calculation

A0013545

General ISO 5167 equation for orifice plates, nozzles, Venturi tube

$$Q_m = f \cdot c \cdot \sqrt{\frac{1}{1-\beta^4}} \cdot \varepsilon \cdot d^2 \frac{\pi}{4} \cdot \sqrt{2 \cdot \Delta p \cdot \rho}$$

A0013547

Pitot tube

$$Q_m = k \cdot d^2 \frac{\pi}{4} \cdot \sqrt{2 \cdot \Delta p \cdot \rho}$$

A0013548

Gilflo, V-Cone (other DP flowmeters)

$$Q_m = Q_m(A) \cdot \sqrt{\frac{\rho_B}{\rho_A}}$$

A0013549

Legend

Q _m	Mass flow (compensated)
k	Blockage factor
ρ	Density in operating mode
Δp	Differential pressure
Q _m (A)	Mass flow in design parameter
ρ _A	Density in design parameter
ρ _B	Density in operating mode

Parameter configuration for differential pressure measurement

To configure the DP flow measurement, make the following menu selection: Menu/Flow/Signal: 4 to 20 mA (DP). For additional parameter configuration, the following data (according to the design sheet or nameplate of the differential pressure measuring device) are required.

- Device type and material of the throttle device, e.g. orifice plate, nozzle
- Differential pressure measuring range
- Internal diameter of pipe at 20 °C (68 °F)
- Diameter of the throttle device (or K-factor for Pitot tubes) at 20 °C (68 °F)
- Density in design parameter (for V-Cone and Gilflo only)

For selecting the characteristic for the flow signal

EngyCal	DP transmitter (output)
Linear characteristic	Characteristic of DP linear transmitter, scaled to mbar or inchH2O
Curve square law	Characteristic of DP transmitter square root, scaled to kg/h, t/h, ft ³ /h, etc.

Preferably, use the linear characteristic, as this attains higher accuracy for flow calculation in the lower range.

To check the calculation, the following values are displayed in Menu/Diagnostics.

- Flow coefficient c
- Expansion number β
- Differential pressure (DP)

7.5 Data analysis and visualization with the Field Data Manager software (accessories)

FDM is a software application which offers central data administration with visualization for recorded data.

This allows the complete data of a measuring point to be archived, e.g.:

- Measured values
- Diagnostic events
- Protocols

FDM saves the data in an SQL database. The database can be operated locally or in a network (client / server).

The following databases are supported:


- PostgreSQL ¹⁾
You can install and use the free PostgreSQL database which is supplied with the FDM-CD.
- Oracle ¹⁾
Version 8i or higher. To set up user login, please contact your database administrator.
- Microsoft SQL server ¹⁾
Version 2005 or higher. To set up user login, please contact your database administrator.

7.5.1 Installation of the Field Data Manager software

Insert the Field Data Manager software CD into your CD/DVD drive. Installation starts automatically.

An installation assistant guides you through the necessary installation steps.

Details on installing and operating the Field Data Manager software are provided in the Getting Started Guide supplied with the software and in the Operating Instructions which are available online at www.products.endress.com/ms20.


You can import data from the device using the software's user interface. To do so, use the USB cable, which is available as an accessory, or the device's Ethernet connection, →  48.

1) The product names are registered trademarks of the individual manufacturers.

8 Maintenance

No special maintenance work is required for the device.

8.1 Adjustment

A two-point offset is used for adjusting the inputs and outputs. The sensors can be calibrated in the Expert menu only. Refer to "Adjusting the current inputs", →  50.

8.2 Cleaning




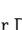


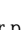



The front of the device can be cleaned with a dry soft cloth.

9 Accessories


Various accessories, which can be ordered with the device or subsequently from Endress+Hauser, are available for the device. Detailed information on the order code in question is available from your local Endress+Hauser sales center or on the product page of the Endress+Hauser website: www.endress.com.

9.1 Device-specific accessories




9.1.1 For the transmitter





Accessories	Description
Weather protection cover	Is used to protect the measuring device from the effects of the weather: e.g. rainwater, excess heating from direct sunlight or extreme cold in winter.  For details, see Installation Instructions SD00333F
Pipe mounting set	Mounting plate for pipe mounting For dimensions →  4,  12 and mounting instructions →  15, see Installation section.
DIN rail mounting set	DIN rail adapter for DIN rail mounting For dimensions →  6,  12 and mounting instructions →  14, see Installation section.
Panel mounting set	Mounting plate for panel mounting For dimensions →  5,  12 and mounting instructions →  13, see Installation section.

9.1.2 For the sensor


Accessories	Description
Heating jacket	Is used to stabilize the temperature of the fluids in the sensor. Water, water vapor and other non-corrosive liquids are permitted for use as fluids. If using oil as a heating medium, please consult with Endress+Hauser. Heating jackets cannot be used with sensors fitted with a rupture disk.  For details, see Operating Instructions BA00099D

9.2 Communication-specific accessories






FDM software	Visualization software and SQL-based database "Field Data Manager software (FDM)" MS20  For details, see "Technical Information" TI01022R
RXU10-G1	USB cable and FieldCare Device Setup configuration software incl. DTM library
Commubox FXA195 HART	For intrinsically safe HART communication with FieldCare via the USB interface.  For details, see "Technical Information" TI00404F
HART Loop Converter HMX50	Is used to evaluate and convert dynamic HART process variables to analog current signals or limit values.  For details, see "Technical Information" TI00429F and Operating Instructions BA00371F

Wireless HART adapter SWA70	<p>Is used for the wireless connection of field devices. The WirelessHART adapter can be easily integrated into field devices and existing infrastructures, offers data protection and transmission safety and can be operated in parallel with other wireless networks with minimum cabling complexity.</p> <p> For details, see Operating Instructions BA061S</p>
Fieldgate FXA320	<p>Gateway for the remote monitoring of connected 4-20 mA measuring devices via a Web browser.</p> <p> For details, see "Technical Information" TI00025S and Operating Instructions BA00053S</p>
Fieldgate FXA520	<p>Gateway for the remote diagnostics and remote configuration of connected HART measuring devices via a Web browser.</p> <p> For details, see "Technical Information" TI00025S and Operating Instructions BA00051S</p>
Field Xpert SFX100	<p>Compact, flexible and robust industry handheld terminal for remote configuration and for obtaining measured values via the HART current output (4-20 mA).</p> <p> For details, see Operating Instructions BA00060S</p>

9.3 Service-specific accessories

Accessories	Description
Applicator	<p>Software for selecting and sizing Endress+Hauser measuring devices:</p> <ul style="list-style-type: none"> ▪ Calculation of all the necessary data for identifying the optimum flowmeter: e.g. nominal diameter, pressure loss, accuracy or process connections. ▪ Graphic illustration of the calculation results <p>Administration, documentation and access to all project-related data and parameters over the entire life cycle of a project.</p> <p>Applicator is available:</p> <ul style="list-style-type: none"> ▪ Via the Internet: https://wapps.endress.com/applicator ▪ On CD-ROM for local PC installation.
W@M	<p>Life cycle management for your plant W@M supports you with a wide range of software applications over the entire process: from planning and procurement, to the installation, commissioning and operation of the measuring devices. All the relevant device information, such as the device status, spare parts and device-specific documentation, is available for every device over the entire life cycle.</p> <p>The application already contains the data of your Endress+Hauser device. Endress+Hauser also takes care of maintaining and updating the data records.</p> <p>W@M is available:</p> <ul style="list-style-type: none"> ▪ Via the Internet: www.endress.com/lifecyclemanagement ▪ On CD-ROM for local PC installation.
FieldCare	<p>FDT-based plant asset management tool from Endress+Hauser. It can configure all smart field units in your system and helps you manage them. By using the status information, it is also a simple but effective way of checking their status and condition.</p> <p> For details, see Operating Instructions BA00027S and BA00059S</p>

9.4 System components

Accessories	Description
Memograph M graphic data manager	<p>The Memograph M graphic data manager provides information on all the relevant process variables. Measured values are recorded correctly, limit values are monitored and measuring points analyzed. The data are stored in the 256 MB internal memory and also on a SD card or USB stick.</p> <p> For details, see "Technical Information" TI00133R and Operating Instructions BA00247R</p>
Overvoltage protection HAW562 DIN rail	<p>To protect against overvoltage in the power supply and signal/communication cables, Endress+Hauser provides a surge arrester HAW562 for DIN rail mounting.</p> <p> For details, see "Technical Information" TI01012K</p>
Overvoltage protection HAW569 field housing	<p>To protect against overvoltage in the power supply and signal/communication cables, Endress+Hauser provides a surge arrester HAW562 for field mounting.</p> <p> For details, see "Technical Information" TI01013K</p>
RN221N	<p>Active barrier with power supply for safe separation of 4-20 mA standard signal circuits. Offers bidirectional HART transmission.</p> <p> For details, see "Technical Information" TI00073R and Operating Instructions BA00202R</p>
RNS221	<p>Supply unit for powering two 2-wire measuring devices solely in the non-Ex area. Bidirectional communication is possible via the HART communication jacks.</p> <p> For details, see "Technical Information" TI00081R and Brief Operating Instructions KA00110R</p>

10 Troubleshooting

10.1 Instrument diagnostics and troubleshooting

The Diagnostics menu is used for the analysis of the device functions and offers comprehensive assistance during troubleshooting. To find the causes for device errors or alarm messages, follow these basic procedures.


General troubleshooting procedure

1. Open diagnosis list: Lists the 10 most recent diagnostic messages. This can be used to determine which errors are currently present and whether an error has repeatedly occurred.
2. Open measured value display diagnostics: Verify the input signals by displaying the raw values (mA, Hz, Ohm) or the scaled measuring ranges. To verify calculations, call up calculated auxiliary variables if necessary.
3. Most errors can be rectified by performing steps 1 and 2. If the error persists, observe the troubleshooting instructions for the error types from Chapter 9.2 of the Operating Instructions.
4. If this does not rectify the problem, contact the Service Department. The contact details of your Endress+Hauser representative can be found on the internet at www.endress.com/worldwide. For service inquiries, please always have the error number and the information from the Device information/ENP (program name, Serial Number etc.) available.

The contact details of your Endress+Hauser representative can be found on the internet at www.endress.com/worldwide.

10.1.1 Hold function – "freezing" the display values

The hold function freezes the entire measured value acquisition, including the counter readings. As part of troubleshooting, e.g. for rewiring, this function is recommended for suppressing error messages so that the diagnostics and events list are not filled with unnecessary entries.

-  The measured values during Hold mode are ignored for data logging. The hold function is enabled/disabled in the Diagnostics menu and stopped automatically if no button is pressed for 5 minutes.

10.1.2 Troubleshooting for M-BUS

If communication with the EngyCal does not materialize via the M-Bus, check the following:

- Does the device address in the device match the master?
- Are the device and the master using the same baud rate?
- Is there more than one device with the same device address attached to the M-Bus?
- Is the M-Bus connected to the device correctly?

10.1.3 Troubleshooting for MODBUS

- Do the device and master have the same baudrate and parity?
- Is the interface correctly wired?
- Does the device address sent by the master match the configured address of the device?
- Do all slaves on the MODBUS have different device addresses?

10.1.4 Device error/alarm relay

There is a global "alarm relay" (the user can either assign the relay or one of the open collectors in the setup).


This "alarm relay" switches if "F"-type errors occur (F = failure), i.e. "M"-type errors (M= Maintenance required) do not switch the alarm relay.

For errors of type F, the color of the backlighting of the display additionally switches from white to red.

10.2 Error messages

Error	Description	Remedy
F041	Cable open circuit: AI1 (flow), AI2 (temperature), AI3 (pressure). Input current ≤ 2 mA <ul style="list-style-type: none"> ▪ Incorrect wiring ▪ Full scale value of the measuring range configured incorrectly ▪ Sensor defective 	<ul style="list-style-type: none"> ▪ Check wiring ▪ Enlarge measuring range (change scaling) ▪ Replace sensor
F104	Sensor error Input current > 2 to ≤ 3.6 mA or ≥ 21 mA (or 22 mA for 0 to 20 mA signal) <ul style="list-style-type: none"> ▪ Incorrect wiring ▪ Full scale value of the measuring range configured incorrectly ▪ Sensor defective Pulse input > 12.5 kHz or > 25 Hz	<ul style="list-style-type: none"> ▪ Check wiring ▪ Enlarge measuring range (change scaling) ▪ Replace sensor ▪ Select a larger value for pulse value
F201	Device error (operating system error)	Contact the Service Department
F261	System error (miscellaneous hardware errors)	Contact the Service Department
F301	Setup defective	Reconfigure the device. If the error recurs, contact service.
F303	Device data defective	Contact the Service Department
F305	Counters defective	Counter value is reset automatically to 0
F307	Customer preset value defective	Save configuration parameters.
F309	Invalid date/time (e.g. GoldCap was empty)	Device was switched off too long. The date/time must be set again.
F310	The setup could not be saved.	Contact the Service Department
F311	Device data could not be stored	Contact the Service Department
F312	Calibration data could not be stored	Contact the Service Department
F314	Activation code is no longer correct (incorrect serial number/program name).	Enter new code

F431	Calibration data missing	Contact the Service Department
F501	Invalid configuration	Check setup
F900	Input variable(s) outside the calculation limits (see Technical data, → 68)	<ul style="list-style-type: none"> ▪ Check plausibility of the measured input values ▪ Check scaling of device inputs/sensor outputs ▪ Check system/process
F910	Firmware for this device not released.	Install correct firmware.
F914	Density calculation for DP flow calculation is faulty	Check temperature input and entries in the density table.
F915	Viscosity calculation for DP flow calculation is faulty	Check temperature input and entries in the viscosity table.
F916	Flow < 0 ! If the bidirectional flow is controlled via the temperature, the flow must not be negative.	Check process values and settings.
M102	Over range Input current ≥ 20.5 mA to < 21 mA	Enlarge measuring range (change scaling)
M103	Under range Input current > 3.6 mA to ≤ 3.8 mA	Enlarge measuring range (change scaling)
M284	Firmware has been updated.	No action required.
M302	Setup has been loaded from backup.	No effect on operation. To be safe, check setup (configuration) and adjust if necessary
M304	Device data defective. The system continues working with backup data.	No action required.
M306	Counter defective, but system could continue working with backup.	Check plausibility of the counter reading (compare to last stored counter reading)
M313	FRAM has been defragmented	No action required.
M315	No IP address could be obtained from the DHCP server!	Check network cable, contact network administrator.
M316	No or incorrect MAC address	Contact the Service Department
M502	Device is locked! - e.g. for firmware update attempt	locking via digital channel
M905	Limit value over/under cut	
M906	Limit value violation end	
M908	Analog/pulse output error	Check process values and scaling of the output, select larger full scale value (or pulse value) if necessary.

M913	DP flow outside ISO 5167, i.e. the input parameters for the calculation are outside the scope of application of the ISO 5167 standard	<p>Check entries for model, pipe diameter, throttle diameter.</p> <p> The calculations continue, but the accuracy as per per ISO 5167 is not guaranteed.</p>
------	---	---

10.3 Diagnosis list

See also error messages, →  60.

The device has a diagnostic list in which the last 10 diagnostic messages (messages with error numbers from type Fxxx or Mxxx) are stored.

The diagnosis list is designed as a ring memory, i.e. when the memory is full the oldest messages are automatically overwritten (no message).

The following information is saved:

- Date/time
- Error number
- Error text

The diagnosis list is not read out via PC operating software. However, it can be displayed via FieldCare.

The following fall under Fxxx or Mxxx:

- Open circuit
- Sensor error
- Invalid meas.val.

10.4 Output function test

In the Diagnostics/Simulation menu, the user can output certain signals at the outputs (function text).

The simulation is ended automatically if the user has not pressed any buttons for 5 minutes or has switched off the function explicitly.

10.4.1 Relay tests

The user can switch the relay manually.

10.4.2 Simulation of outputs

The user can output certain signals at the outputs (function test).

Analog output

Allows you to output a current value for test purposes. You can configure fixed values:

- 3.6 mA
- 4.0 mA
- 8.0 mA
- 12.0 mA
- 16.0 mA
- 20.0 mA
- 20.5 mA
- 21.0 mA

Pulse outputs (Pulse / OC)

Allows you to output pulse packages for test purposes. The following frequencies are possible:

- 0.1 Hz
- 1 Hz
- 5 Hz
- 10 Hz
- 50 Hz
- 100 Hz
- 200 Hz
- 500 Hz

The following simulations are possible for the pulse output only:

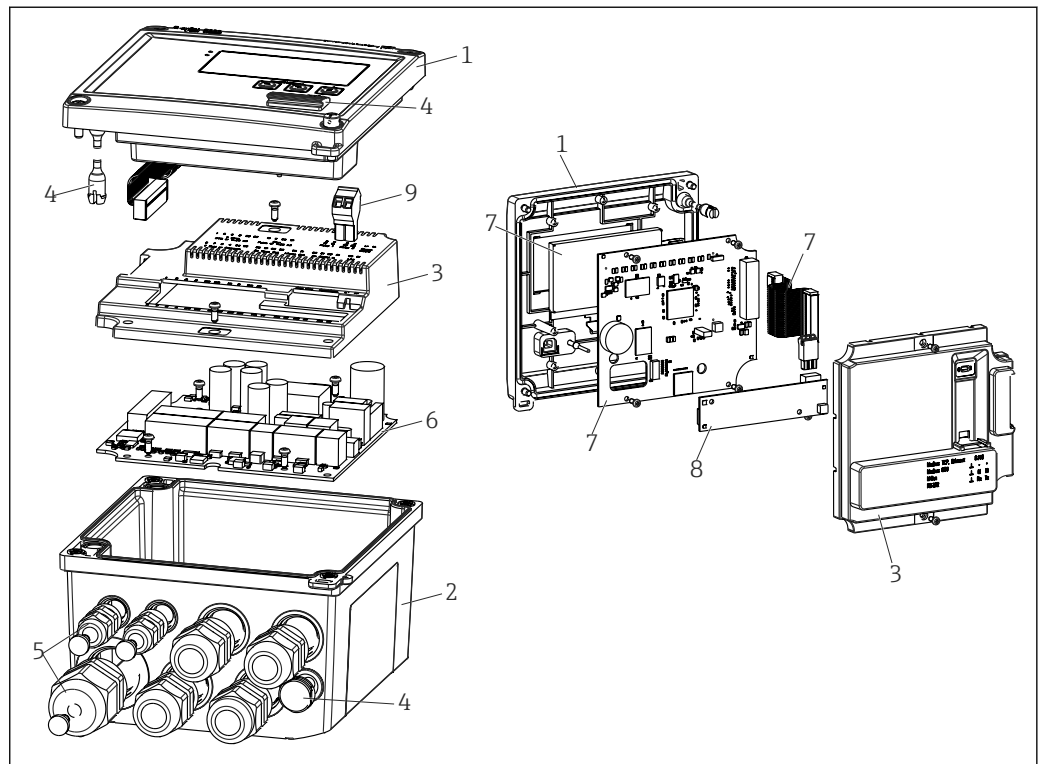
- 1 kHz
- 5 kHz
- 10 kHz

10.4.3 Status of the outputs

The current status of the relays and open collector outputs can be queried in the "Diagnostics/Outputs" menu (e.g. relay 1: open).

10.5 Spare parts

If ordering spare parts, please specify the serial number of the unit! Installation instructions are included with the spare part.



36 Spare parts of the device

A0014134

Item No.	Description	Order number
	Panel mounting set incl. panel seal	XPR0001-SM
	Plug-in terminal, 3-pin FMC1.5/3-ST-3.5 for digital I/O and RS485	51009210

10.6 Software history and overview of compatibility

Release

The firmware version on the nameplate and in the Operating Instructions indicates the device release: XX.YY.ZZ (example 1.02.01).

XX Change to main version.

No longer compatible. The device and Operating Instructions change.

YY Change to functions and operation.

Compatible. The Operating Instructions change.

ZZ Fixes and internal changes.

No changes to the Operating Instructions.

Date	Firmware version	Software changes	Documentation
07/2010	01.00.xx	Original software	BA294K/09/en/07.10
07/2011	01.02.xx	Output tariff 1/2 to OC	BA00294K/09/EN/01.11
09/2011	01.03.xx	Web server port is configurable	BA00294K/09/EN/02.11
12/2013	01.04.xx	Switching temperature for bidirectional measurement can be switched off	BA00294K/09/EN/03.13
10/2014	01.04.xx	-	BA00294K/09/EN/04.14
01/2019	01.04.xx	-	BA00294K/09/EN/05.18

11 Return

The requirements for safe device return can vary depending on the device type and national legislation.

1. Refer to the website for more information:
<http://www.endress.com/support/return-material>
2. Return the device if repairs or a factory calibration are required, or if the wrong device was ordered or delivered.

12 Disposal

12.1 IT security


Observe the following instructions before disposal:

1. Delete data
2. Reset the device
3. Delete/change passwords
4. Delete users
5. Carry out alternative or complementary measures to destroy the storage medium

12.2 Disassembling the measuring device

1. Switch off the device
2. Carry out the mounting and connection steps from the "Mounting the measuring device" and "Connecting the measuring device" sections in reverse order. Observe the safety instructions.

12.3 Disposing of the measuring device

-  Observe the following notes during disposal:
- Observe valid federal/national regulations.
 - Ensure proper separation and reuse of the device components.

13 Technical data

13.1 Input

Current/pulse input

This input can be used either as a current input for 0/4 to 20 mA signals or as a pulse or frequency input.

The input is galvanically isolated (500 V testing voltage towards all other inputs and outputs).

Cycle time

The cycle time is 250 ms when using the RTD input.

Response time

In the case of analog signals, the reaction time is the time between the change at the input and the time when the output signal is equivalent to 90 % of the full scale value. The reaction time is lengthened by 250 ms if an RTD with 3-wire measurement is connected.

Input	Output	Reaction time [ms]
Current	Current	≤ 600
Current	Relay/digital output	≤ 600
RTD	Current/ relay/digital output	≤ 600
Cable open circuit detection	Current/ relay/digital output	≤ 600
Cable open circuit detection, RTD	Current/ relay/digital output	≤ 1100
Pulse input	Pulse output	≤ 600

Current input

Measuring range:	0/4 to 20 mA + 10 % overrange
Accuracy:	0.1 % of full scale value
Temperature drift:	0.01 %/K (0.0056 %/°F) of full scale value
Loading capacity:	Max. 50 mA, max. 2.5 V
Input impedance (load):	50 Ω
HART® signals	Not affected
A/D converter resolution:	20 bit

Pulse/frequency input

The pulse/frequency input can be configured for different frequency ranges:

- Pulses and frequencies up to 12.5 kHz
- Pulses and frequencies up to 25 Hz (filters out bounce contacts, max. bounce time: 5 ms)

Minimum pulse width:	
Range up to 12.5 kHz	40 μs
Range up to 25 Hz	20 ms
Maximum permissible contact bounce time:	
Range up to 25 Hz	5 ms
Pulse input for active voltage pulses and contact sensors as per EN 1434-2, Class IB and IC:	

Non-conductive state	$\leq 1 \text{ V}$
Conductive state	$\geq 2 \text{ V}$
No-load supply voltage:	3 to 6 V
Current limiting resistance in the power supply (pull-up at input):	50 to 2 000 k Ω
Maximum permissible input voltage:	30 V (for active voltage pulses)
Pulse input for contact sensors as per EN 1434-2, Class ID and IE:	
Low-level	$\leq 1.2 \text{ mA}$
High-level	$\geq 2.1 \text{ mA}$
No-load supply voltage:	7 to 9 V
Current limiting resistance in the power supply (pull-up at input):	562 to 1 000 Ω
Not suitable for active input voltages	
Current/pulse input:	
Low-level	$\leq 8 \text{ mA}$
High-level	$\geq 13 \text{ mA}$
Loading capacity:	Max. 50 mA, max. 2.5 V
Input impedance (load):	50 Ω
Accuracy during frequency measurement:	
Basic accuracy:	0.01 % of measured value
Temperature drift:	0.01 % of measured value over entire temperature range

2 x current/RTD input

These inputs can be used either as current inputs (0.4 to 20 mA) or as RTD inputs (RTD = Resistance Temperature Detector = resistance thermometer). Here, one input is provided for the temperature signal, the other for the pressure signal.

The two inputs are galvanically connected but galvanically isolated from the other inputs and outputs (testing voltage: 500 V).

Current input

Measuring range:	0.4 to 20 mA + 10 % overrange
Accuracy:	0.1 % of full scale value
Temperature drift:	0.01 %/K (0.0056 %/°F) of full scale value
Loading capacity:	Max. 50 mA, max. 2.5 V
Input impedance (load):	50 Ω
A/D converter resolution:	24 bit
HART® signals are not affected.	

RTD input

Pt100, Pt500 and Pt1000 resistance temperature detectors can be connected to this input.

Measuring ranges:	
Pt100_exact:	-200 to 300 °C (-328 to 572 °F)
Pt100_wide:	-200 to 600 °C (-328 to 1 112 °F)
Pt500:	-200 to 300 °C (-328 to 572 °F)

Pt1000:	-200 to 300 °C (-328 to 572 °F)
Connection method:	2-, 3- or 4-wire connection
Accuracy:	4-wire: 0.06 % of measuring range 3-wire: 0.06 % of measuring range + 0.8 K (1.44 °F)
Temperature drift:	0.01 %/K (0.0056 %/°F) of measuring range
Delta T measurement (differential measurement between both RTD inputs):	0.03 °C (0.054 °F)
Characteristic curves:	DIN EN 60751:2008 IPTS-90
Max. cable resistance:	40 Ω
Cable open circuit detection:	Outside the measuring range

Digital inputs

Two digital inputs are available for switching the following functions.

Digital input 1	Digital input 2
Activate tariff counter 1 Time synchronization Lock device (Block set up)	Activate tariff counter 2 Time synchronization Lock device (Block set up)

Input level:

As per IEC 61131-2 Type 3:

Logical "0" (corresponds to -3 to +5 V), activation with logical "1" (corresponds to +11 to +30 V)

Input current:

Max. 3.2 mA

Input voltage:

Max. 30 V (steady-state, without destroying input)

13.2 Output

Current/pulse output (option)

This output can be used either as a 0/4 to 20 current output or as a voltage pulse output. The output is galvanically isolated (500 V testing voltage towards all other inputs and outputs).

Current output (active)

Output range:	0/4 to 20 mA + 10 % overrange
Load:	0 to 600 Ω (as per IEC 61131-2)
Accuracy:	0.1 % of full scale value
Temperature drift:	0.01 %/K (0.0056 %/°F) of full scale value
Inductive load:	Max. 10 mH
Capacitance load:	Max. 10 µF
Ripple:	Max. 12 mVpp on 600 Ω for frequencies < 50 kHz
D/A converter resolution:	14 bit

Impulse output (active)

Frequency:	Max. 12.5 kHz
Pulse width:	min. 40 μ s
Voltage level:	Low: 0 to 2 V High: 15 to 20 V
Maximum output current:	22 mA
Short-circuit proof	


2 x relay output

The relays are designed as NO contacts. The output is galvanically isolated (1 500 V testing voltage towards all other inputs and outputs).

Max. relay switching capacity:	AC: 250 V, 3 A DC: 30 V, 3 A
Minimum contact load:	10 V, 1 mA
Min. Switching cycles:	>10 ⁵

2 x digital output, open collector (option)

The two digital inputs are galvanically isolated from one another and from all the other inputs and outputs (testing voltage: 500 V). The digital outputs can be used as status or pulse outputs.

Frequency:	Max. 1 kHz
Pulse width:	min. 500 μ s
Current:	Max. 120 mA
Voltage:	Max. 30 V
Voltage drop:	Max. 2 V in conductive state
Maximum load resistance:	10 k Ω  For higher values, the switching edges are flattened.

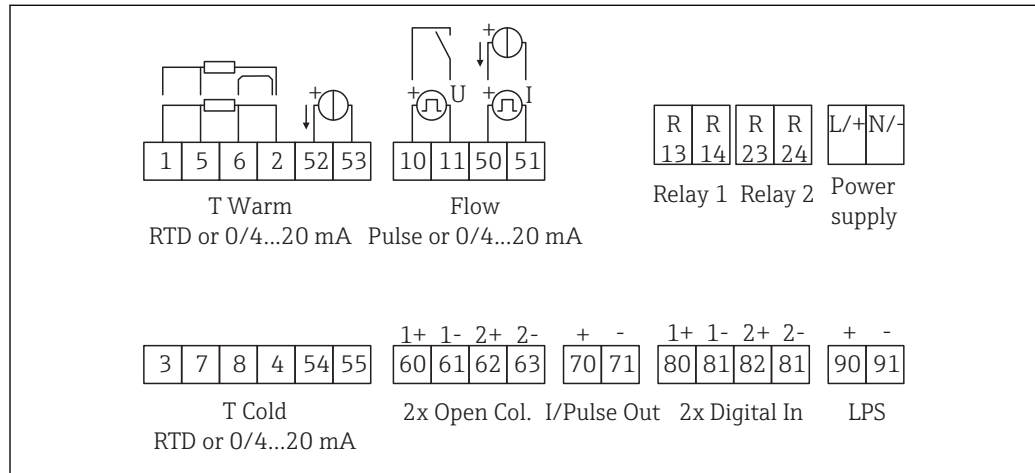
Auxiliary voltage output (transmitter power supply)

The auxiliary voltage output can be used to power the transmitter or control the digital inputs. The auxiliary voltage is short-circuit proof and galvanically isolated (500 V testing voltage towards all other inputs and outputs).

Output voltage:	24 V DC \pm 15 % (not stabilized)
Output current:	Max. 70 mA
HART [®] signals are not affected.	

13.3 Power supply

Terminal assignment



37 Terminal assignment of EngyCal

A0022341

Supply voltage

- Low voltage power unit: 100 to 230 V AC (-15 % / +10 %) ⁵⁰/₆₀ Hz
- Extra-low voltage power unit:
 - 24 V DC (-50 % / +75 %)
 - 24 V AC (±50 %) ⁵⁰/₆₀ Hz

An overload protection unit (rated current ≤ 10 A) is required for the power cable.

Power consumption

15 VA

13.4 Communication interfaces

A USB interface (with CDI protocol) and optional Ethernet, are used to configure the device and read out the values. ModBus and M-Bus are optionally available as communication interfaces.

None of the interfaces has a modifying effect on the device in accordance with PTB Requirement PTBA 50.1.

USB device

Terminal:	Type B socket
Specification:	USB 2.0
Speed:	"Full Speed" (max. 12 MBit/sec)
Max. cable length:	3 m (9.8 ft)

Ethernet TCP/IP

The Ethernet interface is optional and cannot be combined with other optional interfaces. It is galvanically isolated (testing voltage: 500 V). A standard patch cable (e.g. CAT5E) can be used for the connection. A special cable gland is available for this purpose, which allows users to guide pre-terminated cables through the housing. Via the Ethernet interface, the device can be connected to office equipment using a hub or a switch.

standard:	10/100 Base-T/TX (IEEE 802.3)
Socket:	RJ-45
Max. cable length:	100 m (328 ft)

Web server

If the device is connected via Ethernet, it is possible to export the display values via the internet using a web server.

Data can be exported via the web server to HTML or XML format.

RS485	Terminal:	3-pin plug-in terminal
	Transmission protocol:	RTU
	Transmission rate:	2400/4800/9600/19200/38400
	Parity:	choose from none, even, odd

Modbus TCP The Modbus TCP interface is optional and cannot be ordered with other optional interfaces. It is used to connect the device to higher-order systems to transmit all measured values and process values. From a physical point of view, the Modbus TCP interface is identical to the Ethernet interface.

Modbus RTU The Modbus RTU (RS-485) interface is optional, and cannot be ordered with other optional interfaces.
It is galvanically isolated (testing voltage: 500 V) and is used to connect to higher-order systems to transmit all measured values and process values. It is connected via a 3-pin plug-in terminal.

M-Bus The M-bus (meter bus) interface is optional and cannot be ordered with other optional interfaces. It is galvanically isolated (testing voltage: 500 V) and is used to connect to higher-order systems to transmit all measured values and process values. It is connected via a 3-pin plug-in terminal.

13.5 Performance characteristics

- Reference operating conditions
- Power supply 230 V AC $\pm 10\%$; 50 Hz ± 0.5 Hz
 - Warm-up time > 2 h
 - Ambient temperature 25 °C ± 5 K (77 °F ± 9 °F)
 - Humidity 39 % ± 10 % RH

Arithmetic unit	Medium	Size	Range
	Steam		Temperature measuring range
		Pressure measuring range	0 to 1 000 bar (0 to 14 500 psi)
		Measurement and calculation interval	500 ms

Calculation standard IAPWS IF97

Typical accuracy of steam mass and energy measurement in a complete steam measuring point: approx. 1.5 % (e.g. Cerabar S, TR 10, Prowirl 72, EngyCal RS33)

13.6 Installation

Mounting location: Wall/pipe mounting, panel or DIN rail as per IEC 60715

Installation position: The only factor determining the orientation is the legibility of the display.

13.7 Environment

Ambient temperature range: -20 to +60 °C (-4 to +140 °F)

Storage temperature: -30 to +70 °C (-22 to +158 °F)

Climate class: as per IEC 60 654-1 Class B2, as per EN 1434 environmental class C

Humidity: Maximum relative humidity 80 % for temperatures up to 31 °C (87.8 °F), decreasingly linearly to 50 % relative humidity at 40 °C (104 °F).

- Electrical safety
- As per IEC 61010-1 and CAN C22.2 No 1010-1.
- Class II equipment
 - Overvoltage category II
 - Pollution level 2
 - Overload protection ≤ 10 A
 - Installation height: up to 2 000 m (6 560 ft.) above MSL

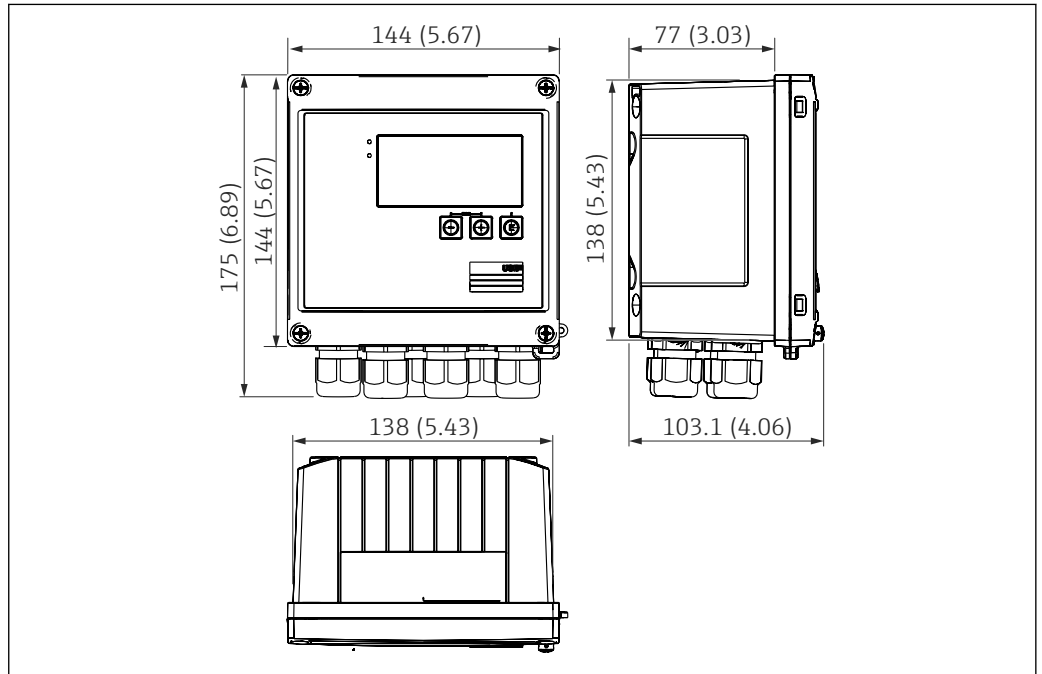
- Degree of protection
- Panel mounting: IP65 at front, IP20 at rear
 - DIN rail: IP20
 - Field housing: IP66, NEMA4x (for cable gland with double seal insert: IP65)

Electromagnetic compatibility

as per EN 1434-4, EN 61326 and NAMUR NE21

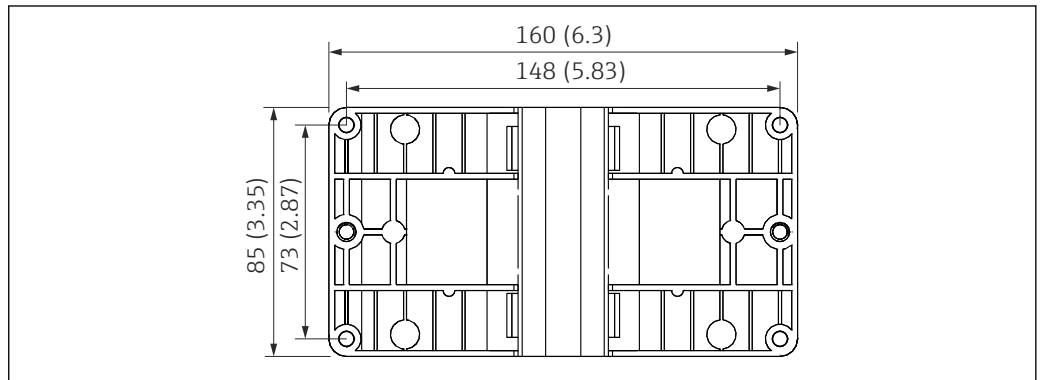
13.8 Mechanical construction

Design, dimensions



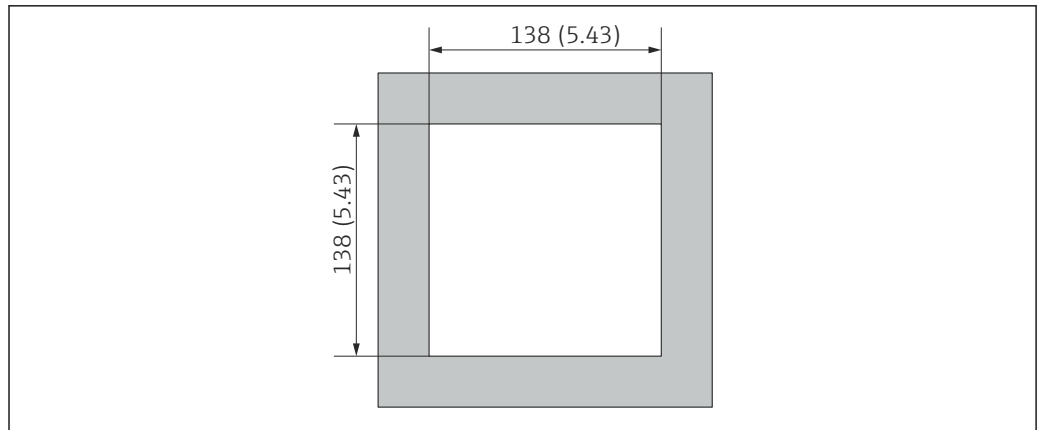
A0013438

38 EngyCal housing; dimensions in mm (in)



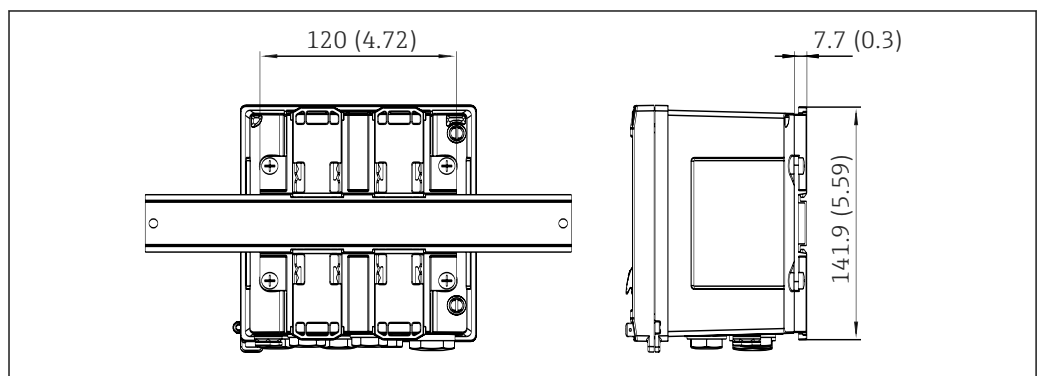
A0014169

39 Mounting plate for wall, pipe and panel mounting; dimensions in mm (in)



A0014171

40 Panel cutout in mm (in)



A0014610

41 Dimensions of DIN rail adapter in mm (in)

Weight Approx. 700 g (1.5 lbs)

Materials Housing: fiber-glass reinforced plastic, Valox 553

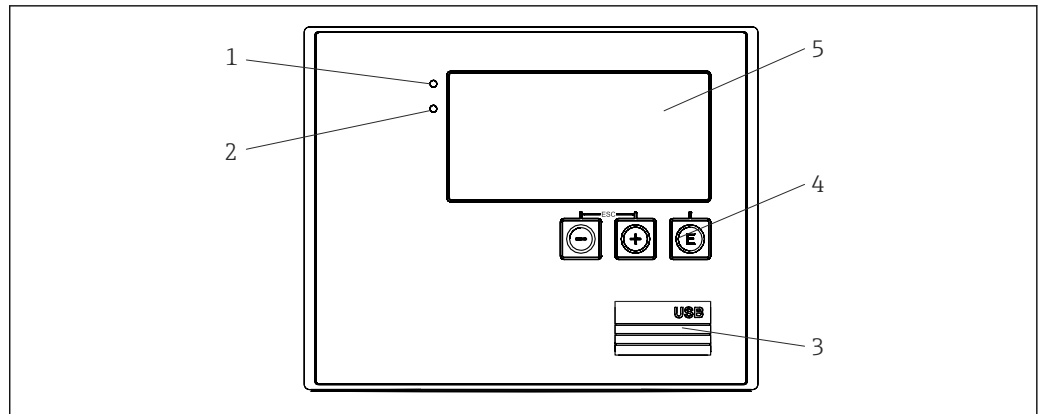
Terminals Spring terminals, 2.5 mm² (14 AWG); auxiliary voltage with plug-in screw terminal (30-12 AWG; torque 0.5 to 0.6 Nm) .

13.9 Operability

Languages You can choose from one of the following operating languages on the device: English, German, French, Spanish, Italian, Dutch, Portuguese, Polish, Russian, Czech

Display elements

- Display:
160 x 80 dot-matrix LCD with white backlighting, color changes to red in the event of an alarm, active display area 70 x 34 mm (2.76" x 1.34")
- LED status display:
Operation: 1 x green
Fault message: 1 x red



A0013444

42 Display and operating elements

- 1 Green LED, "Operation"
- 2 Red LED, "Fault message"
- 3 USB connection for configuration
- 4 Operating keys: -, +, E
- 5 160x80 dot-matrix display

Local operation	3 keys, "-", "+", "E".
Configuration interface	USB interface at front, optional Ethernet: configuration via PC with FieldCare Device Setup configuration software.
Data logging	<p>Real-time clock</p> <ul style="list-style-type: none"> ■ Deviation: 15 min per year ■ Power reserve: 1 week
Software	<ul style="list-style-type: none"> ■ Field Data Manager software MS20: visualization software and database for analyzing and evaluating the measured data and calculated values as well as tamper-proof data logging. ■ FieldCare Device Setup: The device can be configured with the FieldCare PC software. FieldCare Device Setup is included in the scope of delivery for RXU10-G1 (see "Accessories") or can be downloaded free of charge from www.produkte.endress.com/fieldcare.

13.10 Certificates and approvals

CE mark	The product meets the requirements of the harmonized European standards. As such, it complies with the legal specifications of the EC directives. The manufacturer confirms successful testing of the product by affixing to it the CE-mark.
Other standards and guidelines	<ul style="list-style-type: none"> ■ IEC 60529: Degrees of protection provided by enclosures (IP code) ■ IEC 61010-1: 2001 cor 2003 Protection Measures for Electrical Equipment for Measurement, Control, Regulation and Laboratory Procedures ■ IEC 61326 series: Electromagnetic compatibility (EMC requirements) ■ NAMUR NE21, NE43: Association for Standards for Control and Regulation in the Chemical Industry

- IAPWS-IF 97:
Internationally applicable and recognized calculation standard (since 1997) for steam and water. Issued by the International Association for the Properties of Water and Steam (IAPWS).
- OIML R75:
International design and test recommendation for heat meters for water applications issued by the International Organization of Legal Metrology.
- EN 1434
- EN ISO 5167
Measurement of fluid flow by means of pressure differential devices

14 Appendix

14.1 Operating functions and parameters


If a number in the form XXXXXX-XX is specified in a table row next to a parameter, the parameter can be accessed directly.

For this purpose go to the menu **Expert** → **Direct Access** and enter the number specified.

14.1.1 Language menu


German English Español Français Italiano Nederlands Polski Portuguese Russkij čeština	Select the operating language of the device from the list.
--	--


14.1.2 Display/operation menu



Changing the group	Choose the group which should be displayed. Change automatically between the configured display groups or display one of the 6 display groups
Display brightness	You can adjust the brightness of the display here. Number: 1-99
Display contrast	You can adjust the contrast of the display here. Number: 20-80
Stored values	Display the analyses stored in the device →  42.
Display	Choose the data which should be displayed.





14.1.3 Setup menu

In this setup, you can select only the most common/important operating options. Special settings can also be configured via "Expert".

Units	100001-00	Select your unit system (SI or US units).  All units are switched to the selected unit system, but configured values are not converted.
Pulse Value	210013-00	Unit for the pulse value, e.g. pulse/l, l/pulse...
Value	210003-00	Pulse factor = factor which, multiplied by an input impulse, yields the physical value. Example: 1 pulse corresponds to 5 m ³ , pulse value is set to "m ³ /pulse" ⇒ enter "5" here. Decimal number, 8 digits including leading sign and decimal separator.
Date/time		Set date/time
UTC time zone		Current UTC time zone (UTC = coordinated universal time).
Actual date		Actual date. Format as configured under date format.
Actual time		Actual time. HH:MM, 12/24-hour as configured in the time format.
Changing		You can change the date and time here.

		UTC time zone	120010-00	
		Date/time	120013-00	
Advanced setup				Additional settings that are not essential for the basic operation of the device.
System				Basic settings that are needed to operate the device (e.g. date, time, communication settings etc.)
		Access code	100000-00	4-digit number. Using this code set-up access can be protected from unauthorized persons. In order to change any parameter the correct code must be entered. Factory default is "0", this means changes can be done at any time.  Make a note of the code and store in a safe place.
		Device tag	000031-00	Individual name of the device (max. 17 characters).
		Decimal separator	100003-00	Select in which form the decimal separator character is to be displayed
		Fault switching	100002-00	If the device detects a system error (e.g. hardware defect) or a fault (e.g. cable open circuit), the selected output switches. Selectable: Relay 1/2 or OpenCollector 1/2
		Date/time setting		Date/time set-up
		Date format	110000-00	Select in which format the date is to be set and displayed.
		Time format	110001-00	Select in which format the time is to be set and displayed.
		Date/time		Set date/time
		UTC time zone	120000-00	Current UTC time zone (UTC = coordinated universal time).
		Actual date	120001-00	Actual date. Format as configured under date format.
		Actual time	120002-00	Actual time. HH:MM, 12/24-hour as configured in the time format.
		Changing		You can change the date and time here.
		UTC time zone	120010-00	Set your UTC time zone (UTC = universal time coordinated).
		Date/time	120013-00	Set your current date and your current time.
		NT/ST changeover		Settings for summer time changeover
		NT/ST changeover	110002-00	Function for summer/normal time changeover. Automatic: Changes to the local regional regulations; Manual: Changeover times can be set in the following addresses ; Off: No changeover times required.
		NT/ST region	110003-00	Selects the regional settings for summer/normal time changeover.
		Begin summer time		
		Occurrence	110005-00	Day in spring on which the switch from standard time to summer time takes place, e.g. for the fourth Sunday in March: select 4.
		Day	110006-00	Day of the week on which the switch from standard time to summer time takes place in spring, e.g. for the fourth Sunday in March: select Sunday.
		Month	110007-00	Month on which the switch from standard time to summer time takes place in spring, e.g. for the fourth Sunday in March: select March.
		Date	110008-00	Day, when in the spring a change from normal to summer time occurs.
		Time	110009-00	Time when the clocks go forward one hour on the day the time changes from standard time to summer time (format: hh:mm).

			End summer time		
			Occurrence	110011-00	Day on which the switch back from summer time to standard time takes place in fall, e.g. for the fourth Sunday in October: select 4.
			Day	110012-00	Day of the week on which the switch back from summer time to standard time takes place in fall, e.g. for the fourth Sunday in October: select Sunday.
			Month	110013-00	Month in which the switch back from summer time to standard time takes place in fall, e.g. for the fourth Sunday in October: select October.
			Date	110014-00	Day, when in the autumn a change from summer to normal time occurs.
			Time	110015-00	Time when the clocks go back one hour on the day the time changes from summer time to standard time (format: hh:mm).
			Units		You can set the unit of your calculated variables here.
			Units	100001-00	Select your unit system (SI or US units).  All units are switched to the factory settings for the selected unit system, but configured values are not converted.
			Mass flow	410000-00	Set the desired unit in which this variable should be output/saved.
			Decimal point	410001-00	Number of decimal places for displaying the mass flow.
			Power	410002-00	Set the desired unit in which this variable should be output/saved.
			Decimal point	410003-00	Number of decimal places for displaying the heat flow rate.
			Density	410006-00	Set the desired unit in which this variable should be output/saved.
			Decimal point	410007-00	Number of decimal places for displaying the density.
			Enthalpy	410008-00	Set the desired unit in which this variable should be output/saved.
			Decimal point	410009-00	Number of decimal places for displaying the enthalpy.
			Mass counter	410010-00	Set the desired unit in which this variable should be output/saved.
			Decimal point	410011-00	Number of decimal places for displaying the mass.
			Energy	410012-00	Set the desired unit in which this variable should be output/saved.
			Decimal point	410013-00	Number of decimal places for displaying the heat.
			Ethernet		Set-up required, if you are using the Ethernet interface of the unit.
			DHCP	150002-00	The device can get its Ethernet settings through DHCP.  <ul style="list-style-type: none"> ▪ The settings determined are displayed only after the setup is applied. ▪ Note: The unit always gets the same IP address if the leasing time is set long enough on the DHCP server. The PC software needs the IP address determined to establish a connection!
			IP address	150006-00	If you have configured DHCP = 'No', enter the IP address for the device here. This IP address is assigned by your network administrator. Please talk to your network administrator about this. If DHCP = 'Yes', the IP address obtained by DHCP is displayed here.
			Subnetmask	150007-00	If you have configured DHCP = 'No', enter the subnet mask (you receive this from your network administrator). If DHCP = 'Yes', the subnet mask obtained by DHCP is displayed here.
			Gateway	150008-00	If you have configured DHCP = 'No', enter the gateway (you receive this from your network administrator). If DHCP = 'Yes', the gateway obtained by DHCP is displayed here.

		Web server	470000-00	Switch the web server function on or off (= factory default). The instantaneous values can only be displayed using an Internet browser when the web browser is activated.  Only possible using the Ethernet interface!
		Port	470001-00	The webserver communicates through this communication port.  If your network is protected by a firewall, this port may have to be enabled. Please contact your network administrator if this is the case. Only visible if Web server = yes.
		Modbus		Configure the Modbus settings for the device.  Only visible for devices with Modbus (option).
		Port	480004-00	Port via which the Modbus protocol can be addressed.
		Byte sequence	480005-00	Byte addressing, i.e. the transmission sequence of the bytes, is not specified in the MODBUS specification. For this reason, it is important to coordinate the addressing method between the master and slave during commissioning. This can be configured here.
		Reg. 0 to 2		Specify which values can be read out.
		Value	500000-00	Choose the value which should be transmitted.
		Analysis	500001-00	Select which counter (e.g. interval, daily counter, etc.) is to be transmitted. Only if a counter has been set for "Value".
		Reg. 3 to 5		Specify which values can be read out.
		Value	500000-01	Choose the value which should be transmitted.
		Analysis	500001-01	Select which counter (e.g. interval, daily counter, etc.) is to be transmitted.
		Reg. 6 to 8		Specify which values can be read out.
		Value	500000-02	Choose the value which should be transmitted.
		Analysis	500001-02	Select which counter (e.g. interval, daily counter, etc.) is to be transmitted.
	
		Reg. 87 to 89		Specify which values can be read out.
		Value	500000-29	Choose the value which should be transmitted.
		Analysis	500001-29	Select which counter (e.g. interval, daily counter, etc.) is to be transmitted.
		M-Bus		Configure the M-Bus settings for the device.  For devices with M-Bus (optional) only.
		Device address	490001-00	Enter the device address where it should be possible to reach this device in the bus.
		Baud rate	490000-00	Set the transmission rate for communication.
		ID number	490002-00	The identification number (for secondary addressing) is an 8-digit unique number. This number can be modified on the unit, though not via M-BUS.
		Manufacturer	490003-00	Manufacturer ID
		Version	490004-00	Displays the M-Bus version.
		Medium	490005-00	The medium is always OE (= bus/system)


			Number	490006-00	Number of values that are to be read out via the M-Bus.
			Value 1		Specify which values can be read out.
			Value	500000-00	Choose the value which should be transmitted.
			Analysis	500001-00	Choose which counter of the value should be transmitted. Only if a counter has been set for "Value".
		
			Value 5		Specify which values can be read out.
			Value	500000-04	Choose the value which should be transmitted.
			Analysis	500001-04	Choose which counter of the value should be transmitted. Only if a counter has been set for "Value".
			Device options		Hardware and software options.
			Optional outputs	990000-00	
			Communication	990001-00	
			Protocol	990007-00	
			DP flow	990003-00	
			Tariff	990005-00	
			Callendar v. Dusen	990004-00	
			Inputs		Settings for the analog and digital inputs.
			Flow		Settings for the flow input.
			Signal type	210000-00	Select the signal type connected. <ul style="list-style-type: none"> ▪ 4 to 20 mA: Current input ▪ 4 to 20 mA (DP flow): Input for flow measurements based on the differential pressure method (e.g. orifice plate) ▪ 0 to 20 mA: Current input ▪ Pulse U+IB+IC: Input for active voltage pulses and contact sensors as per EN 1434-2, Class IB + IC: ▪ Pulse Cl. ID+IE: Pulse input for contact sensors as per EN 1434-2, Class ID + IE: ▪ Pulse I: Current pulse input: ≤ 8 mA Low level, ≥ 13 mA High level.
			Design	210070-00	Configure the transmitter type used. Only for "Signal type" = "4-20 mA (DP-Flow)"
			Channel ident.	210001-00	Name of the measuring point connected to this input. Customized text, 6 characters.
			Pulse input	210002-00	Specify whether the pulse input is a fast (up to 12.5 kHz) or slow (up to 25 Hz) input. Only if Pulse has been selected as the signal type.
			Pulse Value	210003-00	Pulse factor = factor which, multiplied by an input impulse, yields the physical value. Example: 1 pulse equals 5 m ³ ⇒ enter "5". Decimal number, max. 8 digits including decimal separator. Only if Pulse has been selected as the signal type.

		Unit	210004-00	Specify the technical (physical) unit for the measuring point connected to this input.
		Decimal point		Number of places after decimal point for the display. e.g. measured value: 20.12348 l/s The following can be displayed: <ul style="list-style-type: none"> ■ None: 20 l/s ■ One: 20.1 l/s ■ Two: 20.12 l/s ■ Three: 20.123 l/s  The value is rounded where necessary.
		Counter unit	210005-00	Technical units of the count input, e.g. gal, cf ...
		Decimal point	210007-00	Number of digits after the decimal point for the counter.
		DP unit	210072-00	Unit of the differential pressure. Only for signal type = 4 to 20 mA (DP-Flow)
		Range start		Transmitters convert the physical measured variable into standardized signals. Enter the start of the measuring range here. Example: 0 to 100 m ³ /h of the sensor converted to 4 to 20 mA : 0. Decimal number, max. 8 digits including decimal separator. Only for 0/4-20 mA.
		Meas. range end		Enter the end of the measuring range here, e.g. "100" for a transmitter with 0 to 100 m ³ /h. Decimal number, max. 8 digits including decimal separator. Only for 0/4-20 mA.
		Decimal point	410005-00	Decimal places for displaying the differential pressure. Only for 4-20 mA (DP-Flow).
		Low flow cut off		If the volume flow recorded is below the set value, these quantities are not added to the counter. If the input is scaled from 0 to y, or if the pulse input is used, all values that are smaller than the set value are not recorded. If the input is scaled from -x to +y, all values around the zero point (e.g. also negative values) are not recorded. Decimal number, max. 8 digits including decimal separator.
		Characteristic		Select the flow characteristic depending on the settings at the output of your differential pressure transmitter. Linear: if the output of the DP transmitter is scaled in mbar/inH2O (characteristic at the DPT output is linear). Square: if the output of the DP transmitter is scaled in mass or volume units e.g. kg/h, ton/h, m ³ /h (characteristic at the DPT output is squared). Only for 4-20 mA (DP-Flow).
		Diameter unit	210076-00	Unit of the internal diameter of the pipe. Only for signal type = 4 to 20 mA (DP-Flow)
		D at 20 °C	210077-00	Pipe inner diameter (D) under design conditions at 20 °C (68 °F). Decimal number, max. 8 digits including decimal separator. Only for signal type = 4 to 20 mA (DP-Flow)
		d at 20 °C	210078-00	Pipe inner diameter of the primary element (d) under design conditions at 20 °C (68 °F). Decimal number, max. 8 digits including decimal separator. Only for signal type = 4 to 20 mA (DP-Flow)
		K-factor	210079-00	Set the K-factor (blockage factor) of the Pitot tube (see nameplate of the probe or E+H Applicator). Decimal number, max. 8 digits including decimal separator. Only for signal type = 4 to 20 mA (DP-Flow) and device type= Pitot tube

			Design density	210080-00	Density under design conditions (at design pressure/temperature). Decimal number, max. 8 digits including decimal separator. Only for signal type = 4 to 20 mA (DP-Flow) and device type = V-Cone or Gilflo
			Sensor material	210081-00	Material of the sensor. Only for signal type = 4 to 20 mA (DP-Flow) and device type = Orifice plate, Nozzle, Venturi nozzle, Venturi tube
			Pipe material	210082-00	Material of the pipe. Only for signal type = 4 to 20 mA (DP-Flow) and device type = Orifice plate, Nozzle, Venturi nozzle, Venturi tube, Pitot tube
			Temperature		Settings for the temperature input.
			Signal type	220000-00	Select the signal type connected.
			Connection	220001-00	Configure whether RTD is to be connected with 3 or 4 wires. Only for signal type Pt100, Pt500 or Pt1000.
			Channel ident.	220002-00	Name of the measuring point connected to this input. Customized text, max. 6 characters.
			Unit	220003-00	Specify the technical (physical) unit for the measuring point connected to this input.
			Decimal point	220004-00	Number of places after decimal point for the display.
			Range	220005-00	Set the desired measuring range. Can only be set for Pt100 or platinum RTD (CvD).  A small measuring range increases the accuracy of temperature measurement.
			Range start	220006-00	Transmitters convert the physical measured variable into standardized signals. Enter the start of the measuring range here. Only for 0/4 to 20 mA. Decimal number, max. 8 digits including decimal separator.
			Meas. range end	220007-00	Enter the end of the measuring range here. Only for 0/4 to 20 mA. Decimal number, max. 8 digits including decimal separator.
			Fixed value	220009-00	Specify a fixed temperature value with which the device should perform calculations. Only for signal type = default value
			Linearization CvD		Describe the temperature curve of the connected resistance thermometer by entering the Callendar van Dusen (CvD) coefficients (sensor calibration temperature). Only for signal type = Platinum RTD(CvD)
			R0 coefficient	220070-00	Enter the R0 coefficient as per the calibration datasheet. Decimal number, max. 8 digits including decimal separator.
			A coefficient	220071-00	Enter the A coefficient as per the calibration datasheet. Decimal number, max. 8 digits including decimal separator.
			B coefficient	220072-00	Enter the B coefficient as per the calibration datasheet. Decimal number, max. 8 digits including decimal separator.
			C coefficient	220073-00	Enter the C coefficient as per the calibration datasheet. Decimal number, max. 8 digits including decimal separator.
			Pressure		Settings for the pressure input
			Signal type	220000-01	Select the signal type connected or select the "Default value". The default value is set in the "Default value" menu item.








		Channel ident.	220002-01	Name of the measuring point connected to this input. Customized text, max. 6 characters.
		Unit	220003-01	Specify the technical (physical) unit for the measuring point connected to this input.
		Decimal point	220004-01	Number of places after decimal point for the display.
		Fixed value	220009-01	Specify a fixed value with which the device should perform calculations. Only for signal type = default value.
		Digital 1/2		Setting up only required if the digital inputs (e.g. events) are to be used.
		Function	DI 1: 250000-00 DI 2: 250000-01	Select the desired function, → 39. Digital inputs are High active, i.e. the described effect takes place when activated with High. Low = -3 to +5 V High = +12 to +30 V
		Outputs		Settings only required if outputs (e.g. relays or analog outputs) are to be used.
		Universal output		Settings for the universal output (current or pulse output).
		Signal type	310000-00	Select the output signal for this channel.
		Channel/value	310001-00	Select which channel or calculated value is to be output at the output.
		Start Value	310003-00	Configure what value corresponds to 0/4 mA. Numerical value, max. 8 digits including decimal separator (can only be selected for the 0/4 to 20 mA signal type).
		Full scale value	310004-00	Configure what value corresponds to 20 mA. Numerical value, max. 8 digits including decimal separator (can only be selected for the 0/4 to 20 mA signal type).
		Damping	310005-00	Time constant of the first order low pass for the output signal. This is used to prevent large fluctuations in the output signal (can only be selected for the 0/4 to 20 mA signal type). Numerical value, max. 8 digits including decimal separator.
		Pulse Value	310006-00	The pulse value specifies what quantity an output pulse corresponds to (e.g. 1 pulse = 5 liters). Numerical value, max. 8 digits including decimal separator.
		Pulse width	310007-00	The pulse width limits the max. possible output frequency of the pulse output. Define a fixed or dynamic pulse width.
		Pulse width	310008-00	You can set the pulse width in the range from 0.04 to 1000 ms here. Numerical value, max. 8 digits including decimal separator. Visible only if a user-defined pulse width was selected.
		Open Collector 1/2		Settings for the open collector output (pulse or status).
		Function	OC 1: 320000-00 OC 2: 320000-01	Specify what the open collector output should output (pulses or status).
		Op. Mode	320001-00 320001-01	Function of the open collector: <ul style="list-style-type: none"> ▪ NC contact: The contact is closed in its quiescent state (maximum safety). ▪ NO contact: The contact is open in its quiescent state.
		Channel/value	320002-00 320002-01	Select which channel/value is to be output at the output. Only for function = pulse output.
		Pulse Value	320004-00 320004-01	The pulse value specifies which quantity an output pulse corresponds to (e.g. 1 pulse = 5 liters). Only for function = pulse output.

		Pulse width	320005-00 320005-01	The pulse width limits the max. possible output frequency of the pulse output. Define a fixed or dynamic pulse width. Only for function = pulse output.
		Pulse width	320006-00 320006-01	You can set the pulse width in the range from 0.5 to 1000 ms here. Numerical value, max. 8 digits including decimal separator. Visible only if a user-defined pulse width was selected.
		Relay		Setup for the selected relay
		Op. Mode	Relay 1: 330000-00 Relay 2: 330000-01	Relay function: <ul style="list-style-type: none"> ■ NC contact: The relay is closed in its quiescent state (maximum safety). ■ NO contact: The relay is open in its quiescent state.
		Application		Configure various application-specific settings (e.g. group settings, limit values, etc.).
		Op. mode steam	400014-00	Calculation of the heat quantity using different calculation methods: <ul style="list-style-type: none"> ■ Heat quantity (temperature + pressure in steam) ■ Heat differential /p (temperature in condensate, pressure in steam) ■ Heat differential /T (temperature in condensate, temperature in steam) ■ Heat differential /p+T (temperature in steam, pressure in steam)
		Wet steam alarm	400010-00	Behavior for wet steam alarm (in event of partial condensation of the steam).
		Switches	400011-00	Action for wet steam alarm.
		Tariff 1/2		Tariff counters for recording the energy or mass during specific process conditions or statuses. The tariff counters have no effect on the "normal" counter.
		Tariff model	Tariff 1: 430000-00 Tariff 2: 430000-01	Define the parameters in dependence on which the tariff counter is to work. The deficit counter totalizes the energy or mass during an error (e.g. open circuit). To calculate the deficits, the error values for temperature and pressure are used.
		Limit value	430001-00 430001-01	Depending on which variable is the tariff counter to be enabled? Example: the energy quantity is to be recorded on the tariff counter when a power of 100 kW is exceeded ⇒ Configure "Upper set point".
		Value	430002-00 430002-01	Enter the limit value at which the tariff counter is activated, i.e. when the energy or mass flow is totalized. Numerical value, max. 15 digits including decimal separator.
		Unit	430003-00 430003-01	Enter the unit for the tariff: Customized text, max. 9 characters.
		From	430004-00 430004-01	Enter the time at which the tariff counter is activated, i.e. when the quantity is totalized (format: HH:MM). Visible only if Time has been selected as the tariff model.
		Up to	430005-00 430005-01	Enter the time at which the tariff counter is deactivated (format: HH:MM). Visible only if Time has been selected as the tariff model.
		Counter type	430006-00 430006-01	Specify whether an energy or mass unit is used for the tariff counter.
		Data logging		Settings for signal analysis (saving).
		Synchron. time	440001-00	Time for completing the signal analysis. If, for example, 07:00 is set up then the daily analysis will run from 07:00 of the actual day until 07:00 of the following day. Format: HH:MM

			Window	440000-00	Define the interval at which signal analyses are to be stored.  Min, max and average values of the daily and monthly evaluations, etc. are determined from the averages of the interval.
			Billing date	440002-00	Specify how many billing date analyses should take place each year.
			Billing date 1/2		Specify when the billing date analysis should take place.
			Day	440003-00 440003-01	Enter the date on which this billing date analysis is to be created (1-31).
			Month	440004-00 440004-01	Enter the month on which this billing date analysis is to be created (picklist).
			Limits		Limit values can monitor the measured values. A relay, for example, can be switched if a limit value is violated.
			Set point 1 to 3		View or change the set-up for the selected alarm set point.
			Channel/value	450000-00 450000-01 450000-02	Select which input/calculated value the limit value refers to.
			Type	450001-00 450001-01 450001-02	Type of limit value (depends on the input variable).
			Limit value	450002-00 450002-01 450002-02	Limit value in the set process unit, e.g. in °C, m³/h
			Hysteresis (abs.)	450004-00 450004-01 450004-02	The alarm condition is only canceled when the signal has changed into the normal operation range by the preset value.
			Switches	450005-00 450005-01 450005-02	Switches the selected output in a limit condition.
			Display groups		Put the inputs/calculated values into groups such that you can call up the information you need at the touch of a button during operation.
			Group 1 to 6		Various general settings for the groups for measured value display of the device.
			Identifier	460000-00 -01, -02, -03, -04, -05	Enter a name for these groups.
			Value 1	460001-00 -01, -02, -03, -04, -05	Select which input/which calculated variable in this group is to be displayed.
			Value 2	460003-00 -01, -02, -03, -04, -05	Select which input/which calculated variable in this group is to be displayed.
			Value 3	460005-00 -01, -02, -03, -04, -05	Select which input/which calculated variable in this group is to be displayed.
			Display		If you select a counter in "Value 1 to 3", in "Display", you can configure which data of the counter are to be displayed.

14.1.4 Diagnostics menu





Actual diagnos.	050000-00	Displays the current diagnosis message.
Last diagnostics	050005-00	Displays the last diagnosis message.
Last restart	050010-00	Information as to when the device was last restarted (e.g. due to a power failure).
Diagnosis list		All pending diagnosis messages are output.
Event logbook		Events such as alarm set point infringement and power failure are listed in the correct time sequence.
Device information		Displays important device information.
Device tag	000031-00	Individual device tag name/unit identifier (max. 17 characters)
Serial number	000027-00	Please send these details with any questions about the unit.
Order Code	000029-00	Please send these details with any questions about the unit.
Order Identifier	000030-00	Please send these details with any questions about the unit.
Firmware Version	000026-00	Please send these details with any questions about the unit.
ENP version	000032-00	Please send these details with any questions about the unit.
ENP device name	000020-00	Please send these details with any questions about the unit.
Device name	000021-00	Please send these details with any questions about the unit.
Manufacturer ID	000022-00	Please send these details with any questions about the unit.
Manufacturer name	000023-00	Please send these details with any questions about the unit.
Firmware	009998-00	Please send these details with any questions about the unit.
Hardware		Information on the hardware components.
Device running time	010050-00	Indicates how long the device was in operation.
Fault hours	010051-00	Indicates how long the device experienced a fault.
Ethernet		Information about the Ethernet interface of the device. Only for devices with Ethernet interface.
Firmware Version	010026-00	Firmware version of Ethernet card. Please send these details with any questions about the unit.
Serial number	010027-00	Serial number of Ethernet card. Please send these details with any questions about the unit.
Device options		Hardware and software options of the device.
Optional outputs	990000-00	
Communication	990001-00	
Protocol	990007-00	
DP flow	990003-00	
Tariff	990005-00	
Callendar v. Dusen	990004-00	

Measured values		Display of current measured values of device.  For displaying on the device.
Hold	060000-00	Stops the entire measured value acquisition/storage. Select "No" to exit the hold function.  The hold function is exited automatically after 5 minutes.
Display	060010-00	Display of a measured value / calculated value.  Grouping of 3 measured values for display in the PC operating software. The device always shows only one value.
Status	060015-00	Status of the measured value.
Value	060020-00	Current measured value/calculated value.
Signal value	060035-00	Displays the physical measured value (mA, Ohm, etc)
Outputs		Current status of outputs (if used).
Universal output	060120-00	Value currently output at the universal output.
Relay 1/2	060100-00 060105-00	Current relay state.
Open Collector 1/2	060110-00 060115-00	Current state of the open collector output.
Simulation		Various functions/signals can be simulated for test purposes here.  In Simulation mode normal recording of the measured values is interrupted and the intervention is logged in the event log.
Universal output	050200	Choose the value which should be output. Select "Switched off" to exit the simulation.  The simulation is exited automatically after 5 minutes. The simulation is NOT exited automatically when exiting the menu.
Open Collector 1/2	050205-00 050210-00	Choose the value which should be output. Select "Switched off" to exit the simulation.  The simulation is exited automatically after 5 minutes. The simulation is NOT exited automatically when exiting the menu.
Relay 1/2	050215-00 050220-00	Manual activation of the selected relay.  The simulation is exited automatically after 5 minutes. The simulation is NOT exited automatically when exiting the menu.

14.1.5 Expert menu

In the Expert menu, all parameters and settings of the device can be changed.

The menu contains all parameters / settings from the Setup menu in addition to those described below.



Direct access		Direct access to parameters (rapid access).
Service code	010002-00	Please enter service code to make service parameter visible.  For PC operating software only.
System		Basic settings that are needed to operate the device (e.g. date, time, communication settings etc.)
Language	010000-00	Select unit operating language
PRESET		Resets all parameters to the factory settings!  Can be changed via the service code only.
Clear memory	059000-00	Delete internal memory
Reset	059100-00	Reset analysis to 0.
Ethernet		Set-up required, if you are using the Ethernet interface of the unit.
MAC-Address	150000-00	MAC address of the device
Port	150001-00	The system communicates with the PC software through this communication port. Default: 8000  If your network is protected by a firewall, this port may have to be enabled. Please contact your network administrator if this is the case.
Port	470001-00	The webserver communicates through this communication port. Default: 80  If your network is protected by a firewall, this port may have to be enabled. Please contact your network administrator if this is the case.
Device options		Hardware and software options of the device.
Activation code	000057-00	Here, you can enter a code to enable the device options.
Inputs		Settings for the analog and digital inputs.
Damping	210010-00	Fast changes in the measured value or an irregular pulse input are attenuated at the input. Result: The measured values on the display, or values relayed via digital communication, change more slowly and measured value spikes are avoided. This damping does not affect the counter. Decimal number, max. 5 digits incl. decimal separator. Factory setting: 0.0 s.
Flow		
Meas.val. correct.		Determining the correction values to balance measurement tolerances. Proceed as follows: <ul style="list-style-type: none"> ▪ Measure the current value at the lower measurement range. ▪ Measure the current value at the upper measurement range. ▪ Enter the lower and upper target and actual value.
Range start		Lower correction value.
Target value	210051-00	Enter the setpoint at the start of the measuring range here (e.g. measuring range 0 l/h to 100 l/h: 0 l/h).




		Actual value	210052-00	Enter the value actually measured here (e.g. measuring range 0 l/h to 100 l/h: measured 0.1 l/h).
		Meas. range end		Upper correction value.
		Target value	210054-00	Enter the setpoint at the end of the measuring range here (e.g. measuring range 0 l/h to 100 l/h: 100 l/h/100l/h).
		Actual value	210055-00	Enter the value actually measured here (e.g. measuring range 0 l/h to 100 l/h: measured 99.9 l/h).
		Damping	210010-00	Fast changes in the measured value or an irregular pulse input are attenuated at the input. Result: The measured values on the display, or values relayed via digital communication, change more slowly and measured value spikes are avoided. This damping does not affect the counter. Decimal number, max. 5 digits incl. decimal separator. Factory setting: 0.0 s
		Failure mode		Settings that define how this channel is to react under fault conditions (e.g. cable open circuit, over range).
		NAMUR NE 43	210060-00	Activate/deactivate the 4 to 20 mA loop monitoring as per NAMUR recommendation NE 43. The following error ranges apply when NAMUR NE43 is switched on: <ul style="list-style-type: none"> ▪ ≤ 3.8 mA: Under range ▪ ≥ 20.5 mA: Over range ▪ ≤ 3.6 mA or ≥ 21.0 mA: Sensor error ▪ ≤ 2mA: Open circuit
		On error	210061-00	Configure what value the device should continue working with (for calculations) if the measured value is not valid (e.g. cable open circuit).
		Error value	210062-00	Only if the setting "Error value" has been selected under "On error". The device continues calculating with this value in the event of an error. The calculated values are recorded in the deficit counter. The normal counter remains unchanged (does not run).
		Temperature		Settings for the temperature input.
		Damping	220008-00	Factory setting: 0.0 s. The more unwanted interference is superimposed over the measuring signal, the higher the value should be set. Result: Fast changes are dampened/suppressed. Decimal number, max. 5 digits incl. decimal separator.
		Meas.val. corrct.		Determining the correction values to balance measurement tolerances. Proceed as follows: <ul style="list-style-type: none"> ▪ Measure the current value at the lower measurement range. ▪ Measure the current value at the upper measurement range. ▪ Enter the lower and upper target and actual value.
		Offset	220050-00	Factory setting "0". This offset is only effective on the analog input signal (no maths / bus channels). Only for RTD. Decimal number, max. 8 digits including decimal separator.
		Range start		Lower correction value Only for 0/4 to 20 mA.
		Target value	220052-00	Enter the lower setpoint here (e.g. measuring range 0 °C to 100 °C: 0 °C). Decimal number, max. 8 digits including decimal separator. Only for 0/4 to 20 mA.
		Actual value	220053-00	Enter the lower value actually measured here (e.g. measuring range 0 °C to 100 °C: measured 0.5 °C). Decimal number, max. 8 digits including decimal separator. Only for 0/4 to 20 mA.
		Meas. range end		Upper correction value Only for 0/4 to 20 mA.

		Target value	220055-00	Enter the upper setpoint here (e.g. measuring range 0 °C to 100 °C: 100 °C). Decimal number, max. 8 digits including decimal separator. Only for 0/4 to 20 mA.
		Actual value	220056-00	Enter the upper value actually measured here (e.g. measuring range 0 °C to 100 °C: measured 99.5 °C). Decimal number, max. 8 digits including decimal separator. Only for 0/4 to 20 mA.
		Failure mode		Settings that define how this channel is to react under fault conditions (e.g. cable open circuit, over range).
		NAMUR NE 43	220060-00	Activate/deactivate the 4 to 20 mA loop monitoring as per NAMUR recommendation NE 43. The following error ranges apply when NAMUR NE43 is switched on: <ul style="list-style-type: none"> ▪ ≤ 3.8 mA: Under range ▪ ≥ 20.5 mA: Over range ▪ ≤ 3.6 mA or ≥ 21.0 mA: Sensor error ▪ ≤ 2 mA: Open circuit
		On error	220061-00	Configure what value the device should continue working with (for calculations) if the measured value is not valid (e.g. cable open circuit).
		Error value	220062-00	Only if the setting "Error value" has been selected under "On error". The device continues calculating with this value in the event of an error. The calculated values are recorded in the deficit counter. The normal counter remains unchanged (does not run).
		Pressure		
		Damping	220008-01	Factory setting: 0.0 s. The more unwanted interference is superimposed over the measuring signal, the higher the value should be set. Result: Fast changes are dampened/suppressed. Decimal number, max. 5 digits incl. decimal separator.
		Meas.val. corrc.		Determining the correction values to balance measurement tolerances. Proceed as follows: <ul style="list-style-type: none"> ▪ Measure the current value at the lower measurement range. ▪ Measure the current value at the upper measurement range. ▪ Enter the lower and upper target and actual value.
		Range start		Lower correction value
		Target value	220052-01	Enter the lower setpoint here. Decimal number, max. 8 digits including decimal separator.
		Actual value	220053-01	Enter the lower value actually measured here. Decimal number, max. 8 digits including decimal separator.
		Meas. range end		Upper correction value
		Target value	220055-01	Enter the upper setpoint here. Decimal number, max. 8 digits including decimal separator.
		Actual value	220056-01	Enter the upper value actually measured here. Decimal number, max. 8 digits including decimal separator.
		Failure mode		Settings that define how this channel is to react under fault conditions (e.g. cable open circuit, over range).
		NAMUR NE 43	220060-01	Activate/deactivate monitoring as per NAMUR recommendation NE 43. The following error ranges apply when NAMUR NE43 is switched on: <ul style="list-style-type: none"> ▪ ≤ 3.8 mA: Under range ▪ ≥ 20.5 mA: Over range ▪ ≤ 3.6 mA or ≥ 21.0 mA: Sensor error ▪ ≤ 2 mA: Open circuit

		On error	220061-01	Configure what value the device should continue working with (for calculations) if the measured value is not valid (e.g. cable open circuit).
		Error value	220062-01	Only if the setting "Error value" has been selected under "On error". The device continues calculating with this value in the event of an error. The calculated values are recorded in the deficit counter. The normal counter remains unchanged (does not run).
Outputs				Settings only required if outputs (e.g. relays or analog outputs) are to be used.
		Universal output		Settings for the universal output (current or pulse output).
		Failure current	310009-00	Set the current to be output in the event of an error (e.g. cable open circuit at the input). Numerical value, max. 8 digits including decimal separator.
		Meas.val. corrcr.		Here, you can correct the output current value (necessary only if the device that carries out the further processing cannot compensate for any measurement section tolerances). Proceed as follows: <ul style="list-style-type: none"> On the connected device, read out the displayed value in both the upper and lower measuring range. Enter the lower and upper target and actual value.
		Start Value		Lower correction value.
		Target value	310051-00	Enter the lower setpoint here.
		Actual value	310052-00	Here, enter the lower actual value which is displayed at the connected device.
		Full scale value		Upper correction value
		Target value	310054-00	Enter the upper setpoint here.
		Actual value	310055-00	Here, enter the upper actual value which is displayed at the connected device.
Diagnostics				Device information and service functions for swift device check. This information can also be found in the Diagnostics / Device information menu
		ENP device name	000020-00	Please send these details with any questions about the unit.
		Device name	000021-00	Please send these details with any questions about the unit.
		Serial number	000027-00	Please send these details with any questions about the unit.
		Order Code	000029-00	Please send these details with any questions about the unit.
		Order Identifier	000030-00	Please send these details with any questions about the unit.

14.2 Symbols

Symbol	Description
	Device locked
F	Error For example, error in a channel not displayed in the current group.
M	Maintenance required For example, maintenance required in a channel not displayed in the current group.
	External communication, e.g. fieldbus

SIM	Simulation
	Hold
	Low value
	High value
^	Counter overflow
Name of the inputs and process values	
C (DP)	C (DP Flow)
DI 1	Digital input 1
DI 2	Digital input 2
ϵ	Epsilon (DP Flow)
Flow	Volume flow
h	Enthalpy
M	Mass flow
Δp	Differential pressure
P	Power
Q pv	Pulse value Q
ρ	Density
$\Sigma 1$, $\Sigma 1$ (i), $\Sigma 1$ (d), $\Sigma 1$ (m), $\Sigma 1$ (y), $\Sigma 1$ (1)	Tariff 1: total, interval, day, month, year, billing date
$\Sigma 2$, $\Sigma 2$ (i), $\Sigma 2$ (d), $\Sigma 2$ (m), $\Sigma 2$ (y), $\Sigma 2$ (1)	Tariff 2: total, interval, day, month, year, billing date
ΣE , ΣE (i), ΣE (d), ΣE (m), ΣE (y), ΣE (1)	Energy counter: total, interval, day, month, year, billing date
ΣM , ΣM (i), ΣM (d), ΣM (m), ΣM (y), ΣM (1)	Mass counter: total, interval, day, month, year, billing date
ΣV , ΣV (i), ΣV (d), ΣV (m), ΣV (y), ΣV (1)	Volume counter: total, interval, day, month, year, billing date
Σx , Σx (i), Σx (d), Σx (m), Σx (y), Σx (1)	Deficit counter: total, interval, day, month, year, billing date
Temp.	Temperature

14.3 Definition of important system units

Volume	
bl Displayed as "bbl" in the device.	1 barrel (general liquids), corresponds to 119.24047 l
gal	1 US gallon, corresponds to 3.7854 l
Igal	Imperial gallon, corresponds to 4.5609 l
l	1 liter = 1 dm ³
hl	1 hectoliter = 100 l
m ³	corresponds to 1000 l
ft ³	corresponds to 28.37 l
Temperature	
	Conversion: <ul style="list-style-type: none"> ■ 0 °C = 273.15 K ■ °C = (°F - 32)/1.8
Pressure	
	Conversion: 1 bar = 100 kPa = 100 000 Pa = 0.001 mbar = 14.504 psi
Mass	
ton (US)	1 US ton, corresponds to 2 000 lbs (= 907.2 kg)
ton (long)	1 long ton, corresponds to 2 240 lbs (= 1 016 kg)
Power (heat flow)	
ton	1 ton (refrigeration) corresponds to 200 Btu/min
Btu/s	1 Btu/s corresponds to 1.055 kW
Energy (heat quantity)	
therm	1 therm, corresponds to 100 000 Btu
tonh	1 tonh, corresponds to 1 200 Btu
Btu	1 Btu corresponds to 1.055 kJ
kWh	1 kWh corresponds to 3 600 kJ corresponds to 3 412.14 Btu

Index

A

- Adjusting the current inputs 50
- Alarm limits 40
- Applications
 - Steam mass and energy 33
 - Tariff counter for steam mass and energy flow (option) 37

C

- Callendar van Dusen 51
- CE mark 8, 10, 77
- Cleaning the device 55
- Code 44
- Communication 25, 45
 - Ethernet TCP/IP 25
 - M-Bus 26
 - Modbus RTU 26
 - Modbus TCP 26
- Complete locking 44
- Connecting the sensors 20
 - Endress+Hauser flowmeters 22
 - Flow 20
 - Pressure 24
 - Temperature 23
- Current inputs
 - Adjustment 50

D

- Data logging 42
- Declaration of Conformity 8
- DIN rail mounting 14
- Display 29
- Display mode 42
- Display settings 41
- Document
 - Function 4
- Document function 4
- DP flow calculation 52

E

- Electrical connection
 - Post-connection check 27
- Ethernet 48
- Event logbook 44

F

- Failsafe mode 50
- Fieldbuses 45
- FieldCare Device Setup 29
- Fine-tuning the device 50

H

- Hardware locking 29
- Hold function 42

I

- Icons 94

- Incoming acceptance 11
- Inputs 38
 - Digital inputs 39
 - Flow current signal 38
 - Flow pulse transmitter 38
 - Temperature Inputs 39
- Installation
 - Panel mounting 13
 - Pipe mounting 15
 - Support rail/DIN rail 14
 - Wall mounting 13

K

- K-factor 38

L

- Lead sealing
 - Device 44
- Logbooks 44

M

- M-Bus 45
- Menu
 - Diagnostics 89
 - Display/operat. 79
 - Expert 50, 91
 - Language 79
 - Setup 79
- Modbus RTU/(TCP/IP) 46

N

- Nameplate 9
- No. of Sums/counter overflow 42

O

- Open collector outputs 39
- Operating elements 28
- Operating software 29
- Operational safety 7
- Outputs 25, 39
 - Analog output 25
 - Open Collector 39
 - Open collector output 25
 - Pulse output 25
 - Relay 25, 39
 - Universal output 39

P

- Panel mounting 13
- Parameter
 - Access protection 44
 - Communication/fieldbuses 45
 - Display settings and units 41
 - Inputs 38
 - Outputs 39
- Pipe mounting 15
- Product safety 8

Pulse Value 38

R

Relay 39
 Counter operating mode 41
 SP lower operating mode 40
 SP upper operating mode 40
Requirements for personnel 7
Return 66

S

Sensors
 Connection 20
 Flow 20
 Pressure 24
 Temperature 23
Serial number 9
Storage capacity 43
Symbols 94

T

Tariff counter 51
Temperature calibration (CVD) 51
Transport and storage 11
Troubleshooting
 Alarm relay 60
 Error messages 60
 Hold function 59
 M-Bus 59
 MODBUS 59

U

Units 42
Universal output (current and active pulse output) . . . 39

W

Wall mounting 13
Web server 48
Web server settings 49
Wiring
 Connecting the sensors 20
 Open the housing 20
Workplace safety 7
Write protection switch 29

www.addresses.endress.com
