

Technical Information

Memosens CLS21E

Digital conductivity sensor with Memosens technology

Cell constant $k = 1.0 \text{ cm}^{-1}$



Application

Measurements in media with medium or high conductivity

Typical applications include:

- Separation of media with high conductivity (alkali/water)
- Drinking water treatment
- Wastewater treatment
- Cleaning of ballast water on ships
- Cleaning of water in a ship's wake

Sensors with temperature probes are used in conjunction with conductivity measuring devices that support automatic temperature compensation:

- Liquiline CM442/CM444/CM448
- Liquiline CM42
- Liquiline CM14

The resistivity in $\text{M}\Omega \cdot \text{cm}$ can also be measured using these transmitters.

Your benefits

- Manufacturer inspection certificate stating the individual cell constant
- Different designs for optimum adaptation to the process or mounting location
- Installation in pipe or flow assembly
- Compact design
- High chemical, thermal and mechanical resistance

Other advantages provided by Memosens technology

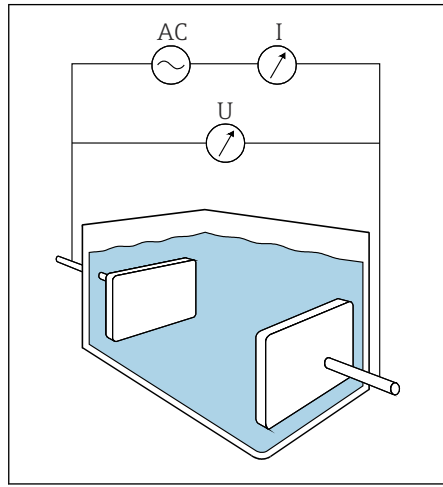
- Maximum process safety
- Data security thanks to digital data transmission
- Very easy to use as sensor data are saved in the sensor
- Predictive maintenance can be performed by recording sensor load data in the sensor

Table of contents

Function and system design	3	Ordering information	10
Measuring principle	3	Product page	10
Measuring system	3	Product Configurator	10
		Scope of delivery	10
Communication and data processing	4	Accessories	10
Dependability	4	Assemblies	10
Reliability	4	Measuring cable	11
Maintainability	4	Calibration solutions	11
Integrity	4		
Input	5		
Measured variables	5		
Measuring ranges	5		
Cell constant	5		
Temperature compensation	5		
Power supply	5		
Electrical connection	5		
Performance characteristics	5		
Uncertainty of measurement	5		
Response time	5		
Measured error	5		
Repeatability	5		
Installation	6		
Installation instructions	6		
Environment	6		
Ambient temperature	6		
Storage temperature	7		
Degree of protection	7		
Process	7		
Process temperature	7		
Process pressure	7		
Temperature/pressure ratings	7		
Mechanical construction	8		
Design	8		
Dimensions in mm (in)	8		
Weight	8		
Materials (in contact with medium)	9		
Materials (not in contact with medium)	9		
Process connection	9		
Certificates and approvals	9		
CE mark	9		
Hazardous area approvals	9		
Marine approvals	9		
Test reports	9		
Additional certification	9		
Other standards and guidelines	9		

Function and system design

Measuring principle



Conductivity of liquids is determined with a measuring arrangement where two electrodes are located in the medium. An alternating voltage that causes a current to flow through the medium is applied at these electrodes. The electrical resistance, or its reciprocal value - conductance G - is calculated based on Ohm's law. The specific conductance κ is determined from the conductance value using the cell constant k , which depends on the sensor geometry.

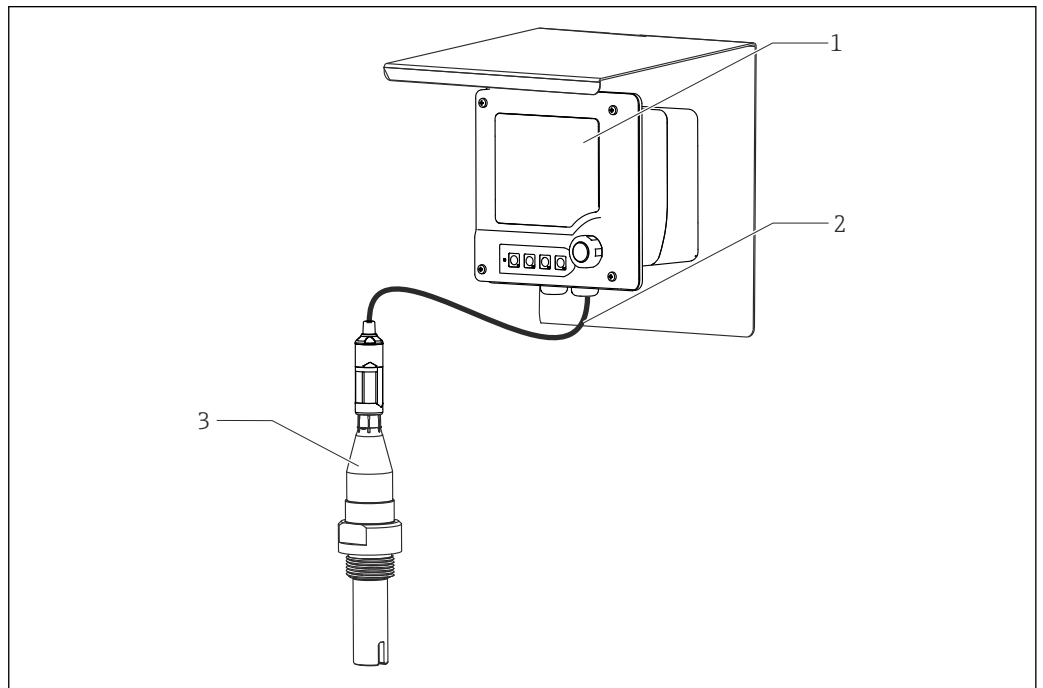
1 Conductive measurement of conductivity

- AC Alternating voltage source
- I Current intensity measurement
- U Voltage measurement

Measuring system

A complete measuring system comprises at least:

- Conductivity sensor Memosens CLS21E
- Transmitter, e.g. Liquiline M CM42
- Measuring cable, e.g. Memosens data cable CYK10




2 Example of a measuring system (with Memosens sensor)

- 1 Liquiline M CM42 transmitter
- 2 Memosens data cable
- 3 Memosens CLS21E

Communication and data processing

Communication with the transmitter

 Always connect digital sensors with Memosens technology to a transmitter with Memosens technology. Data transmission to a transmitter for analog sensors is not possible.

Digital sensors can store measuring system data in the sensor. These include the following:

- Manufacturer data
 - Serial number
 - Order code
 - Date of manufacture
- Calibration data
 - Calibration date
 - Cell constant
 - Delta cell constant
 - Number of calibrations
 - Serial number of the transmitter used to perform the last calibration or adjustment
- Operating data
 - Temperature application range
 - Conductivity application range
 - Date of initial commissioning
 - Maximum temperature value
 - Hours of operation at high temperatures

Dependability

Reliability

Memosens technology digitizes the measured values in the sensor and transmits the data to the transmitter via a . The result:

- If the sensor fails or there is an interruption in the connection between the sensor and transmitter, this is reliably detected and reported.
- The availability of the measuring point is reliably detected and reported.

Maintainability

Easy handling

Sensors with Memosens technology have integrated electronics that store calibration data and other information (e.g. total hours of operation or operating hours under extreme measuring conditions). Once the sensor has been connected, the sensor data are transferred automatically to the transmitter and used to calculate the current measured value. As the calibration data are stored in the sensor, the sensor can be calibrated and adjusted independently of the measuring point. The result:

- Easy calibration in the measuring lab under optimum external conditions increases the quality of the calibration.
- Pre-calibrated sensors can be replaced quickly and easily, resulting in a dramatic increase in the availability of the measuring point.
- Thanks to the availability of the sensor data, maintenance intervals can be accurately defined and predictive maintenance is possible.
- The sensor history can be documented with external data carriers and evaluation programs.
- Thus, the current application of the sensors can be made to depend on their previous history.

Integrity

With inductive transmission of the measured value using a non-contact connection, Memosens guarantees maximum process safety and offers the following benefits:

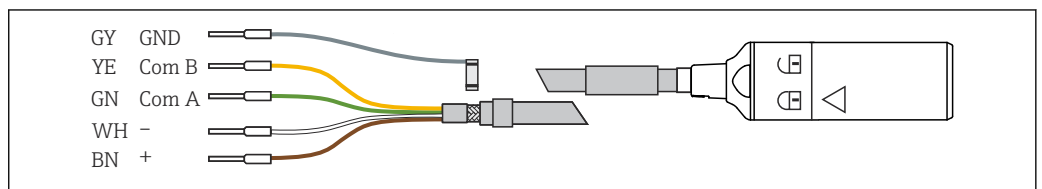
- All problems caused by moisture are eliminated.
 - Plug-in connection remains free from corrosion
 - Measured value distortion from moisture is not possible.
 - The plug-in system can even be connected under water.
- The transmitter is galvanically decoupled from the medium.
- EMC safety is guaranteed by screening measures for the digital transmission of measured values.

Input

Measured variables	<ul style="list-style-type: none"> ▪ Conductivity ▪ Temperature 						
Measuring ranges	<table style="width: 100%; border-collapse: collapse;"> <tr> <td style="width: 30%;">Conductivity¹⁾</td> <td>10 µS/cm to 20 mS/cm</td> </tr> <tr> <td colspan="2">1) In relation to water at 25 °C (77 °F)</td> </tr> <tr> <td>Temperature</td> <td>-20 to 135 °C (-4 to 275 °F)</td> </tr> </table>	Conductivity ¹⁾	10 µS/cm to 20 mS/cm	1) In relation to water at 25 °C (77 °F)		Temperature	-20 to 135 °C (-4 to 275 °F)
Conductivity ¹⁾	10 µS/cm to 20 mS/cm						
1) In relation to water at 25 °C (77 °F)							
Temperature	-20 to 135 °C (-4 to 275 °F)						
Cell constant	k = 1.0 cm ⁻¹ , nominal						
Temperature compensation	Pt1000 (Class A according to IEC 60751)						

Power supply

Electrical connection The electrical connection of the sensor to the transmitter is established using the measuring cable CYK10.



3 Measuring cable CYK10

A0024019

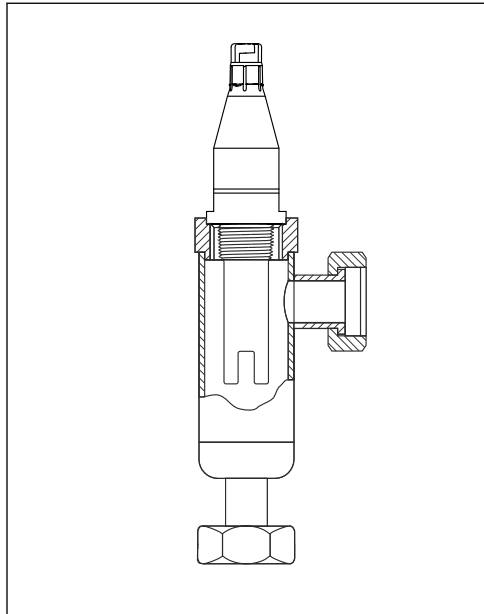
Performance characteristics

Uncertainty of measurement	Each individual sensor is factory-measured in a solution with approx. 5 mS/cm using a reference measuring system traceable to NIST or PTB. The exact cell constant is entered into the manufacturer inspection certificate supplied. The uncertainty of measurement in determining the cell constant is 1.0 %.				
Response time	<table style="width: 100%; border-collapse: collapse;"> <tr> <td>Conductivity</td> <td>$t_{95} \leq 2 \text{ s}$</td> </tr> <tr> <td>Temperature¹⁾</td> <td>$t_{90} \leq 30 \text{ s}$²⁾</td> </tr> </table> <p>1) DIN VDI/VDE 3522-2 (0.3 m/s laminar) 2) With temperature prediction activated as standard</p>	Conductivity	$t_{95} \leq 2 \text{ s}$	Temperature ¹⁾	$t_{90} \leq 30 \text{ s}$ ²⁾
Conductivity	$t_{95} \leq 2 \text{ s}$				
Temperature ¹⁾	$t_{90} \leq 30 \text{ s}$ ²⁾				
Measured error	<table style="width: 100%; border-collapse: collapse;"> <tr> <td>Conductivity</td> <td>$\leq 5 \%$ of reading, in specified measuring range</td> </tr> <tr> <td>Temperature</td> <td>$\leq 2.5 \text{ K}$, in measuring range -20 to 100 °C (-4 to 212 °F) $\leq 3.5 \text{ K}$, in measuring range 100 to 135 °C (212 to 275 °F)</td> </tr> </table>	Conductivity	$\leq 5 \%$ of reading, in specified measuring range	Temperature	$\leq 2.5 \text{ K}$, in measuring range -20 to 100 °C (-4 to 212 °F) $\leq 3.5 \text{ K}$, in measuring range 100 to 135 °C (212 to 275 °F)
Conductivity	$\leq 5 \%$ of reading, in specified measuring range				
Temperature	$\leq 2.5 \text{ K}$, in measuring range -20 to 100 °C (-4 to 212 °F) $\leq 3.5 \text{ K}$, in measuring range 100 to 135 °C (212 to 275 °F)				
Repeatability	<table style="width: 100%; border-collapse: collapse;"> <tr> <td>Conductivity</td> <td>$\leq 0.2 \%$ of reading, in specified measuring range</td> </tr> <tr> <td>Temperature</td> <td>$\leq 0.05 \text{ K}$</td> </tr> </table>	Conductivity	$\leq 0.2 \%$ of reading, in specified measuring range	Temperature	$\leq 0.05 \text{ K}$
Conductivity	$\leq 0.2 \%$ of reading, in specified measuring range				
Temperature	$\leq 0.05 \text{ K}$				

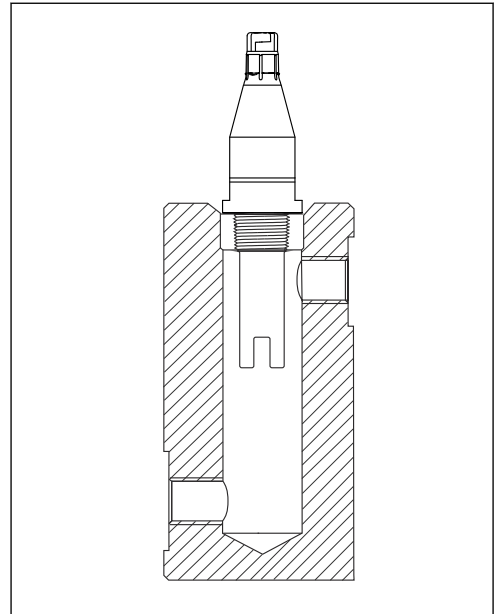
Installation

Installation instructions

The sensors are installed directly via the process connection. As an option, the sensor can also be installed via a flow or immersion assembly (see "Accessories").

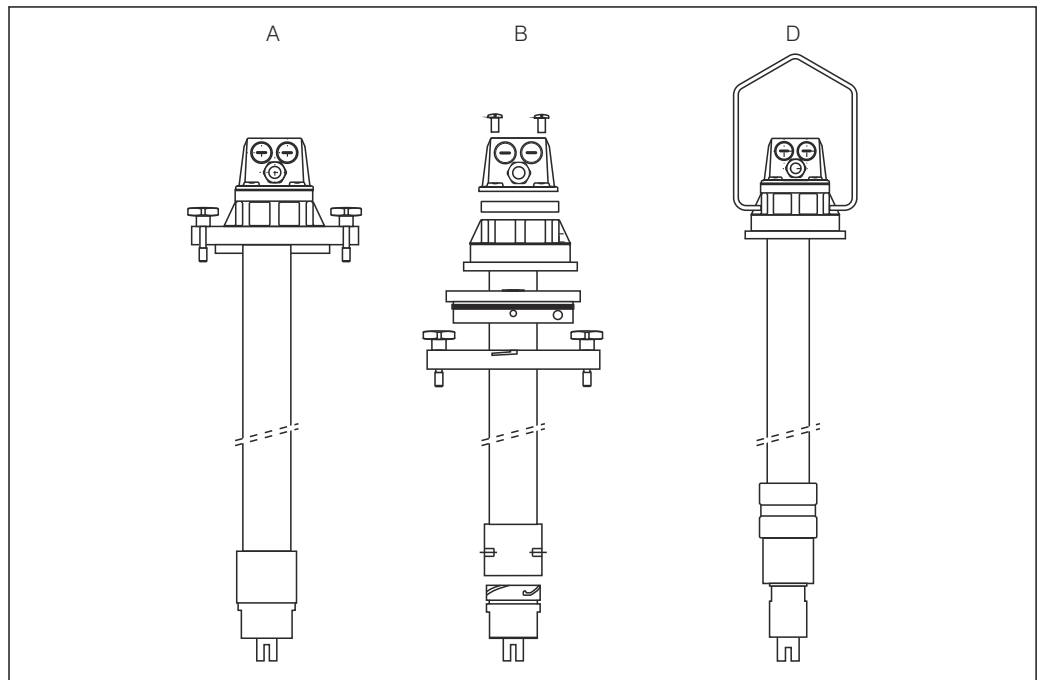


4 Installation in flow assembly CLA751



5 Installation in flow assembly CLA752

For the installation of sensors with a G1 thread in vessels: immersion assembly Dipfit CLA111 (see Accessories).



6 Installation in immersion assembly, mounting versions A, B and D

Environment

Ambient temperature -20 to 60 °C (-4 to 140 °F)

Storage temperature -25 to +80 °C (-10 to +180 °F)

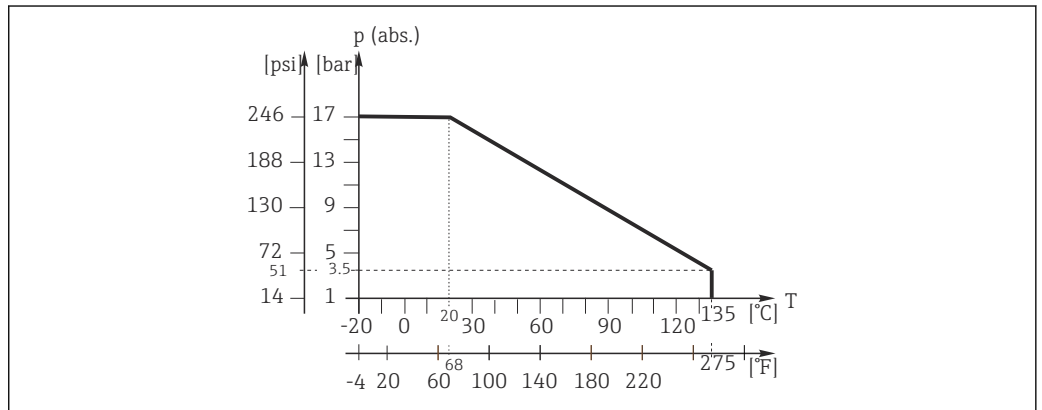
Degree of protection IP 68 / NEMA type 6P (1 m water column, 25 °C, 24 h)

Process

Process temperature -20 to 135 °C (-4 to 275 °F) at 3.5 bar (50 psi) absolute

Process pressure 17 bar (247 psi) absolute, at 20 °C (68 °F)

Temperature/pressure ratings

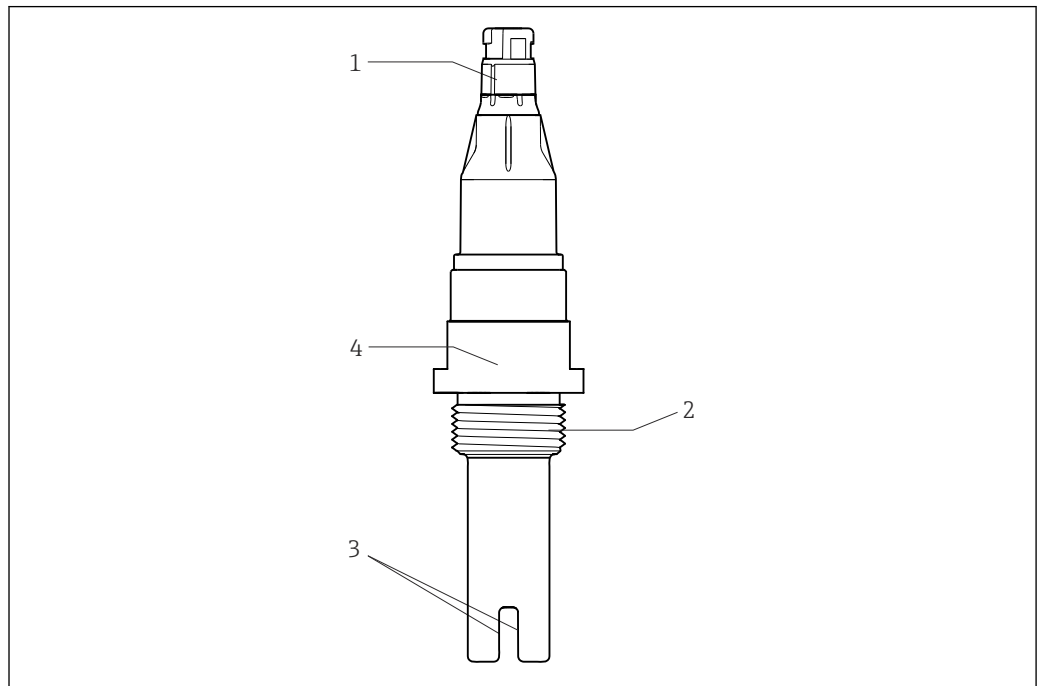


A0044757

7 Mechanical pressure-temperature resistance

Mechanical construction

Design

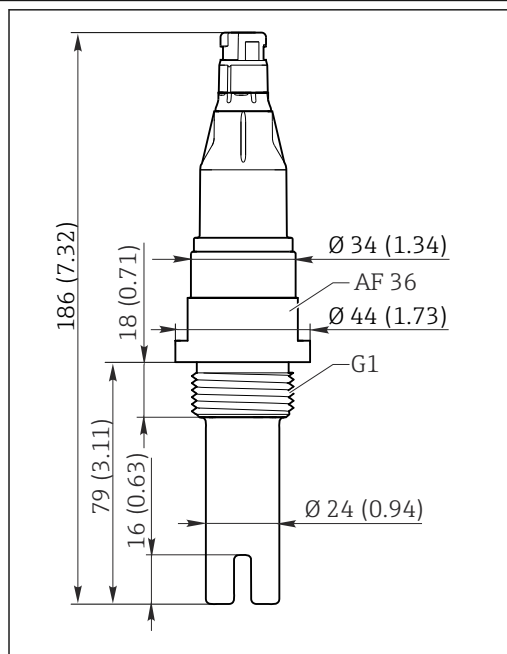


A0024381

8 Sensor

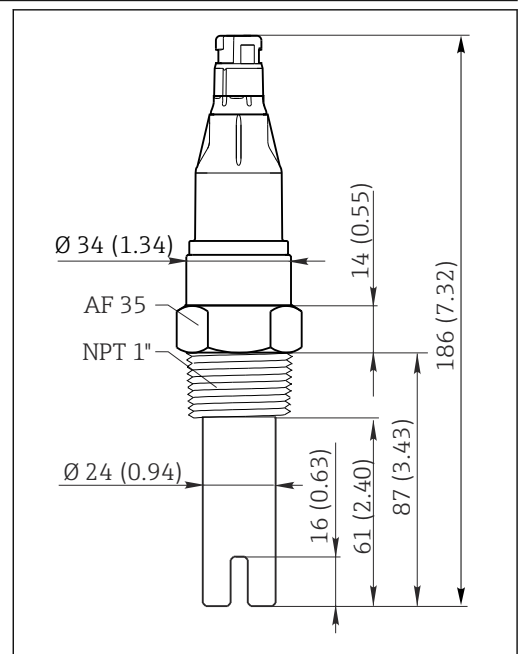
- 1 Memosens plug-in head
- 2 Process connection (here G1)
- 3 Coaxial measuring electrodes made of graphite
- 4 Wrench flats for mounting

Dimensions in mm (in)



A0024382

9 Version with thread G1



A0024394

10 Version with thread NPT 1"

Weight

Approx. 0.3 kg (0.66 lbs) depending on version

Materials (in contact with medium)	Electrodes	Graphite
	Sensor shaft	Polyethersulfone (PES-GF20)
	Thermal conductivity socket for temperature probe	Titanium 3.7035

Materials (not in contact with medium)	<p>Information according to REACH Regulation (EC) 1907/2006 Art. 33/1) An internal connector contains the SVHC substance lead (CAS number 7439-92-1) with over 0.1 % (w/w). The product does not present a hazard if it is used as designated.</p>
---	---

Process connection	G1 thread NPT 1" thread
---------------------------	----------------------------

Certificates and approvals

 Certificates and approvals are optional, i.e. they depend on the product version.

CE mark	<p>EU Declaration of Conformity</p> <p>The product meets the requirements of the harmonized European standards. As such, it complies with the legal specifications of the EU directives. The manufacturer confirms successful testing of the product by affixing to it the CE mark.</p>
----------------	---

Hazardous area approvals	<p>CLS21E-BA II 1 G Ex ia IIC T3/T4/T6 Ga</p> <p>CLS21E-CI CSA C/US IS Cl. I Div. 1 GP A-D T3/T4/T6 + CSA C/US IS Cl. I Zone 0 AEx ia IIC T3/T4/T6</p> <p>CLS21E-GA EAC Ex, OEx ia IIC T3/T4/T6 Ga X</p> <p>CLS21E-IA Ex ia IIC T3/T4/T6 Ga</p> <p>CLS21E-NA NEPSI Ex ia IIC T3/T4/T6 Ga</p>
---------------------------------	---

Marine approvals	A selection of the devices and sensors have type approval for marine applications, issued by the following classification societies: ABS (American Bureau of Shipping), BV (Bureau Veritas), DNV-GL (Det Norske Veritas-Germanischer Lloyd) and LR (Lloyd's Register). Details of the order codes of the approved devices and sensors, and the installation and ambient conditions, are provided in the relevant certificates for marine applications on the product page on the Internet.
-------------------------	--

Test reports	<p>Manufacturer inspection certificate</p> <p>Stating the individual cell constant</p>
---------------------	---

Additional certification	<p>Inspection certificate in accordance with EN 10204 3.1</p> <p>A test certificate 3.1 in accordance with EN 10204 is supplied depending on the version (→ Product Configurator on the product page).</p>
---------------------------------	---

Other standards and guidelines	<p>EAC</p> <p>The product has been certified according to guidelines TP TC 004/2011 and TP TC 020/2011 which apply in the European Economic Area (EEA). The EAC conformity mark is affixed to the product.</p>
---------------------------------------	---

Ordering information


Product page

www.endress.com/cls21e

Product Configurator

On the product page there is a **Configure** button to the right of the product image.

1. Click this button.
 - ↳ The Configurator opens in a separate window.
2. Select all the options to configure the device in line with your requirements.
 - ↳ In this way, you receive a valid and complete order code for the device.
3. Export the order code as a PDF or Excel file. To do so, click the appropriate button on the right above the selection window.

 For many products you also have the option of downloading CAD or 2D drawings of the selected product version. Click the **CAD** tab for this and select the desired file type using picklists.

Scope of delivery

The scope of delivery includes:

- Sensor in the version ordered
- Operating Instructions

Accessories

The following are the most important accessories available at the time this documentation was issued.

- ▶ For accessories not listed here, please contact your Service or Sales Center.

Assemblies

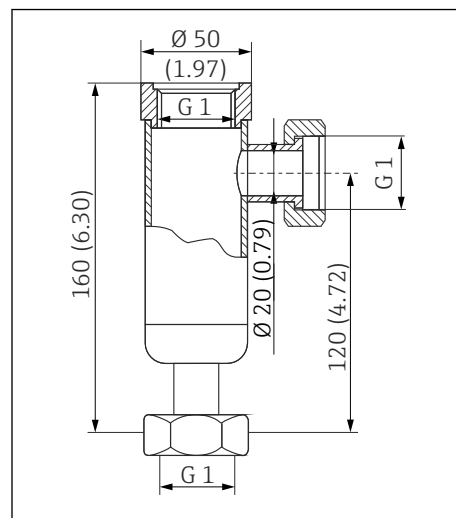
Dipfit CLA111

- Immersion assembly for open and closed vessels with flange DN 100
- Product Configurator on the product page: www.products.endress.com/cla111

 Technical Information TI00135C

Flow assembly CLA751

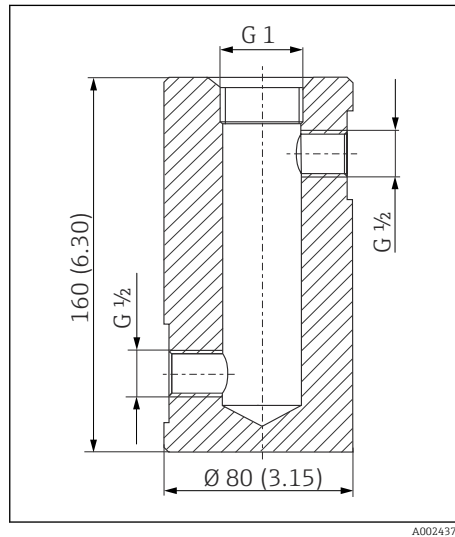
- For installing conductivity sensors with G1 thread (CLS12, CLS13, CLS21, CLS30)
- Inlet (below) and outlet (lateral) DN 20 with G1 thread adapter nut
- Stainless steel 1.4571 (AISI 316Ti)
- Max. temperature 160 °C (320 °F), max. pressure 12 bar (174 psi)
- Order No. 50004201



 11 Dimensions in mm (inch)

Flow assembly CLA752

- For installing conductivity sensors with G1 thread (CLS12, CLS13, CLS21, CLS30)
- Inlet (lateral) and outlet (lateral) DN 20 with G½ internal thread
- Polypropylene (PP)
- Max. temperature 90 °C (194 °F), max. pressure 6 bar (87 psi)
- Order No. 50033772



12 Dimensions in mm (inch)

Measuring cable

Memosens data cable CYK10

- For digital sensors with Memosens technology
- Product Configurator on the product page: www.endress.com/cyk10



Technical Information TI00118C

Memosens data cable CYK11

- Extension cable for digital sensors with Memosens protocol
- Product Configurator on the product page: www.endress.com/cyk11



Technical Information TI00118C

Calibration solutions

Conductivity calibration solutions CLY11

Precision solutions referenced to SRM (Standard Reference Material) by NIST for qualified calibration of conductivity measuring systems in accordance with ISO 9000

- CLY11-A, 74 µS/cm (reference temperature 25 °C (77 °F)), 500 ml (16.9 fl.oz)
Order No. 50081902
- CLY11-B, 149.6 µS/cm (reference temperature 25 °C (77 °F)), 500 ml (16.9 fl.oz)
Order No. 50081903
- CLY11-C, 1.406 mS/cm (reference temperature 25 °C (77 °F)), 500 ml (16.9 fl.oz)
Order No. 50081904
- CLY11-D, 12.64 mS/cm (reference temperature 25 °C (77 °F)), 500 ml (16.9 fl.oz)
Order No. 50081905



Technical Information TI00162C



www.addresses.endress.com
