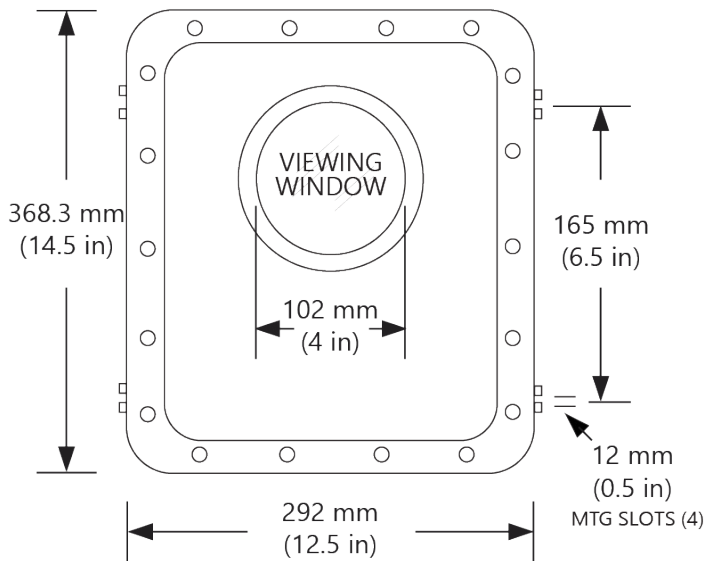


# Explosion Proof Enclosure

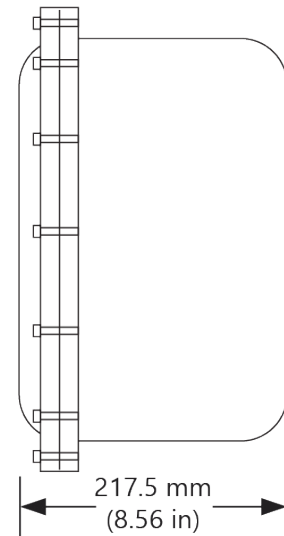
DATASHEET

Model CXJ8106 - Dimensional Drawing  
UL & CSA Rated for Hazardous Locations

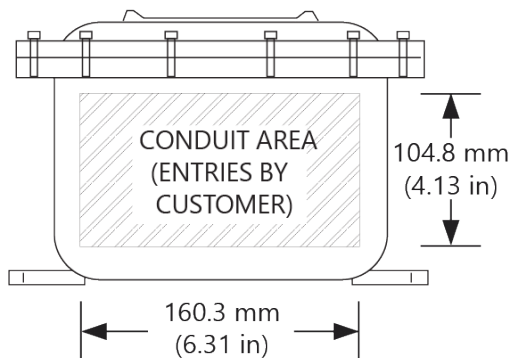
Face View



Side View



End View



**Calibration keypad is magnetically activated through glass window**

## Compliance:

- NEMA 4, 7, AND 9
- UL & CSA certified for Class I, Div 1, Groups B, C, D; Class II, Groups E, F, G; Class III; Enclosure 4X
- Sensor certification is separate from enclosure. Check associated datasheet for details

## Notes:

- Approximate shipping weight: 20 kg (44 lb)
- Electrical connections by internal terminals. Undo flange bolts for access. Do not unscrew viewing window.



INFO@PULSARMEASUREMENT.COM

Pulsar Measurement is a trading name of Pulsar Process Measurement, Ltd.

Copyright © 2021 Pulsar Measurement  
Registered Address: 1 Chamberlain Square CS, Birmingham B3 3AX  
Registered No.: 3345604 England & Wales

## Delivering the Measure of Possibility

**United States**  
+1 888-473-9546

**Asia**  
+60 102 591 332

**Canada**  
+1 855-300-9151

**Oceania**  
+61 428 692 274

**United Kingdom**  
+44 (0) 1684 891371

**pulsarmeasurement.com**

Rev 1.0