

DICE™

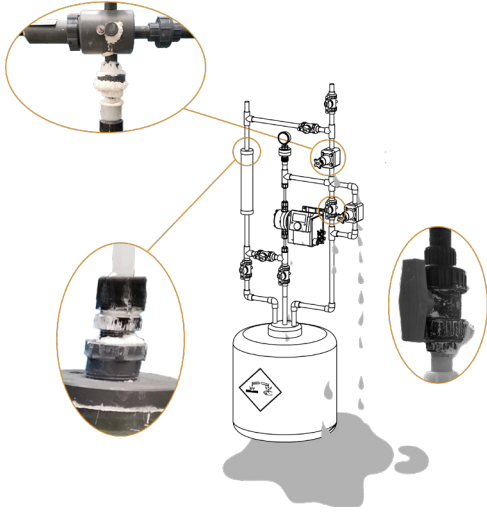
DICE™ DS/DM

**M MEUNIER
TECHNOLOGIES™**

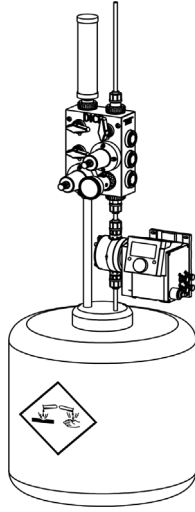
REINVENTING THE CHEMICAL DOSING SYSTEM

Addressing Chemical Leaks

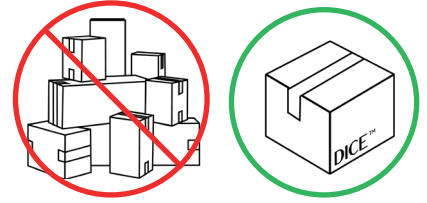
 Before



 Now



One box product

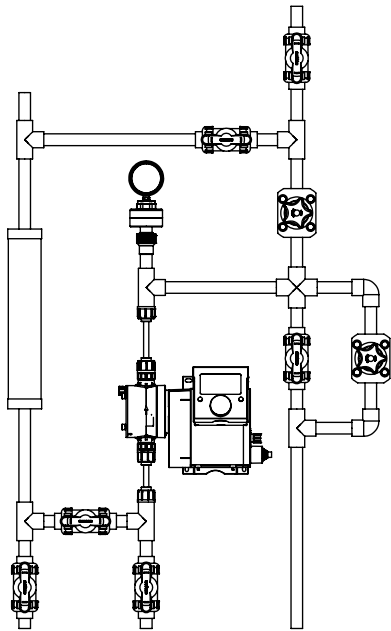


No maintenance

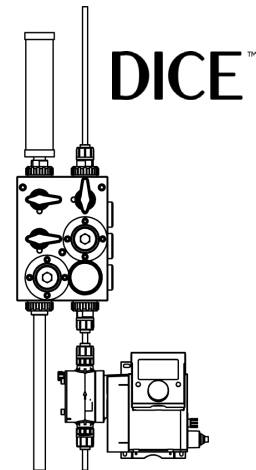


INTRODUCING DICE™

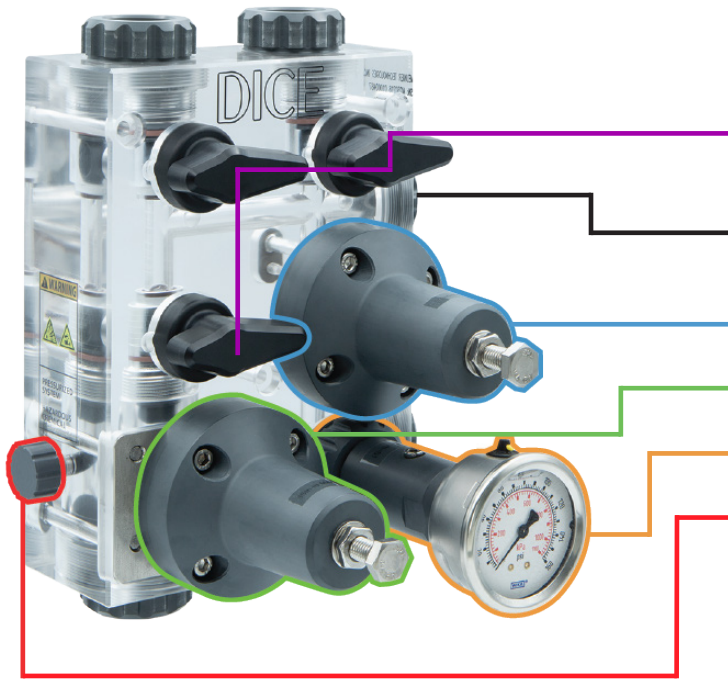
 Before



 Now



2x
Reduced
Footprint



FEATURES

Integrated:

Ball valves for outlet, calibration column and drainage

Auxiliary ports: pulsation dampener, washing port, transport/dilution water and secondary pumps

Adjustable back pressure valve

Adjustable pressure relief valve

Pressure gauge with isolator

Bleed valve

- Standard design that fits all your essential needs
- Extensive reliability and durability
- Possibility of having no threaded or glued connections on the pressurized side
- Extremely compact design resulting in minimal footprint
- Easy to install on new and existing systems (retrofit): only 3 supporting bolts and 4 connections
- Possibility to integrate the module to any chemical dosing pumps
- Possibility of having only 1 dosing module for 3 pumps (1 injection point, 3 pumps)
- Capability of calibrating the pump with the correct suction head and discharge pressure
- Compatible with the widest range of chemicals
- Lockout option available
- Hydrostatic testing included on every module
- Warranty offered on our DICE™ products

Patented

The DICE™ Dosing Module integrates all the necessary discharge components required for a typical chemical dosing system. The block type design allows for a rigid, compact and reliable product. The significantly reduced number of connections is a major benefit as it greatly decreases the leakage potential. The module allows for better precision and protection in the dosing system. It also features great quality due to its machined fabrication.

The dosing module overcomes the many fundamental problems of the current piping system design such as: poor quality of the piping connections, many potential leakage points, excessive vibration caused by the pump pulsation (which leads to mechanical fatigue on connections and components) and the unjustified large footprint required.

TECHNICAL INFORMATION

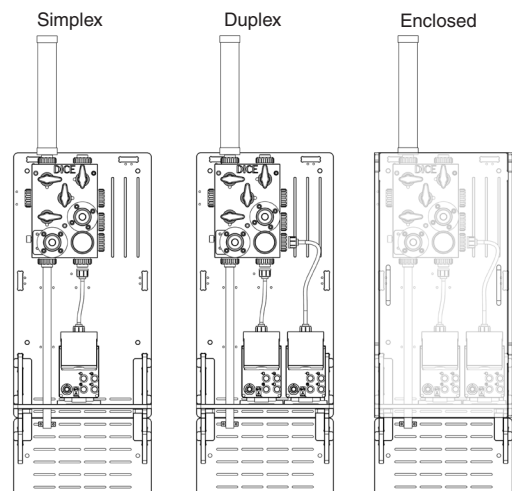
We offer a variety of wetted parts materials to suit your application needs. Acrylic, PVC, CPVC and PVDF.

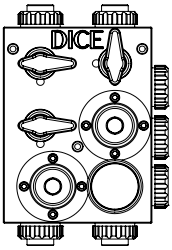
Sizes	1/2", 1"	Valve Handle Material*	Black ABS
Connections	Hose, Socket, NPT	Diaphragm Material*	VITON, EPDM
Body Material*	Clear Acrylic (PMMA), PVC, PVDF	Seal Material*	VITON, EPDM
Component Material*	PVC, CPVC, PVDF	Pressure Relief Valve and Back Pressure Valve Adjustment Range	0 to 150 PSI / 0 to 250 PSI
Valve Seat Material*	PTFE	Pressure Gauge	0 to 150 PSI / 0 to 250 PSI

*Other material can be supplied on request.

We always have spare parts in stock

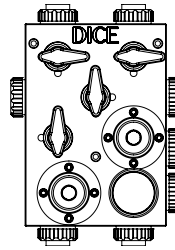
TYPICAL INTEGRATIONS





DICE™ DS

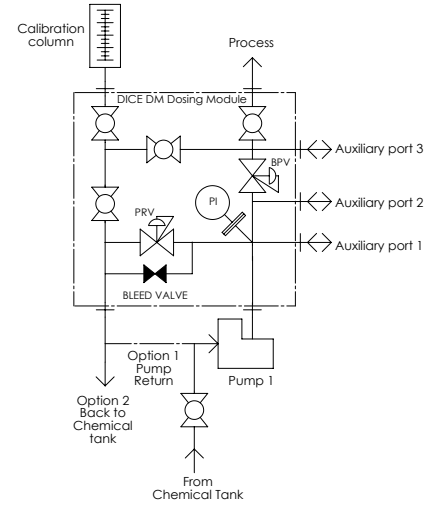
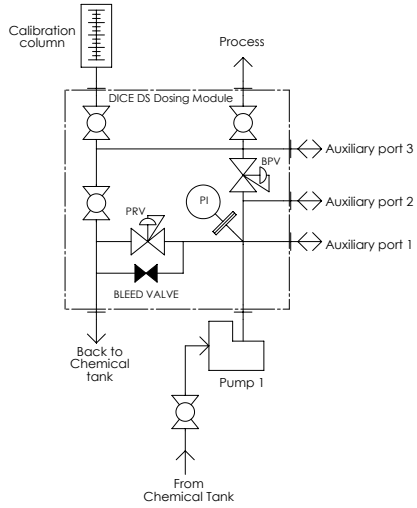
SUCTION LIFT



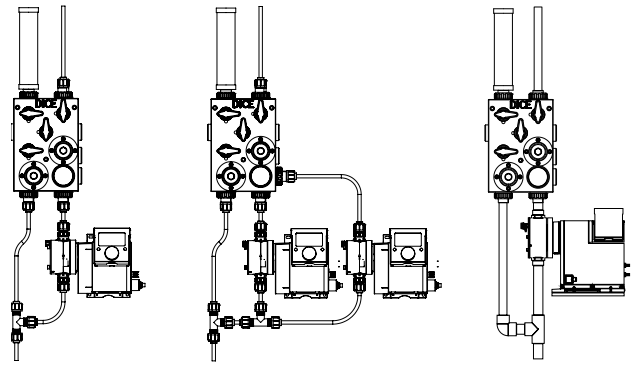
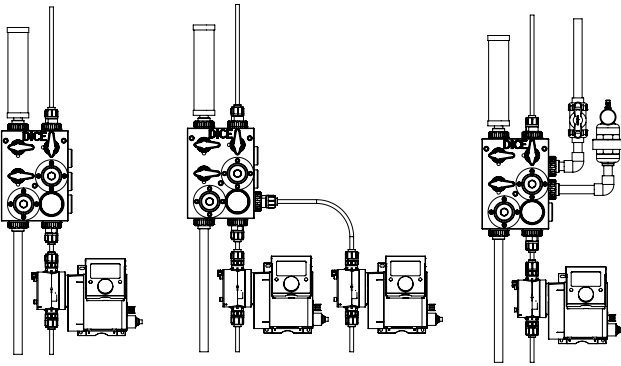
DICE™ DM

SUCTION LIFT AND FLOODED SUCTION

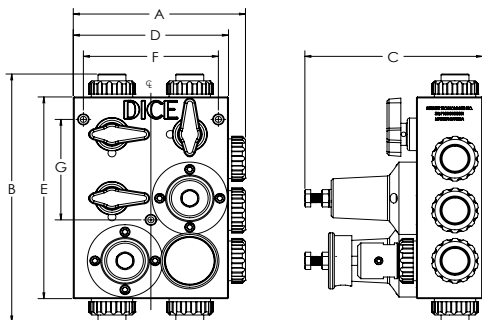
P&ID



TYPICAL INSTALLATIONS



DIMENSIONS



		DIMENSIONS mm (in)						
Size		A	B	C	D	E	F	G
1/2"	DS	187,4 (7.38)	280,8 (11.05)	193,4 (7.61)	168,9 (6.65)	228,6 (9.00)	146,9 (5.78)	113,9 (4.48)
	DM	218,6 (8.61)	312,5 (12.30)	193,4 (7.61)	181,6 (7.15)	260,3 (10.25)	159,6 (6.28)	145,7 (5.73)
1"	DM	269,0 (10.59)	376,0 (14.80)	232,7 (9.16)	223,0 (8.78)	296,0 (11.65)	194,0 (7.64)	150,0 (5.90)

