



TEST GAUGES

SOLFRUNT[®] 6" Models 1403 and 1404 Test Gauges

DESCRIPTION

Series 1400 6" SOLFRUNT test gauges are used in instrument shops, laboratories and other critical applications, where a high degree of accuracy is required and operator error must be minimized. Panel or stem mounted, these gauges offer the same accuracy ($\pm 0.25\%$ accuracy – Grade 3A), case, dial, and calibration features as the 4-1/2" series, except with better readability because of increased length of graduated arc, or larger size. Metric ranges are available upon request.

6" Model 1403



6" Model 1404

SPECIFICATIONS

SIZES: 6"

ACCURACY: $\pm 0.25\%$ of span (Grade 3A)

BOURDON TUBE: Silver brazed; *Phosphor bronze:* 30" Hg VAC through 60 psi

WINDOW: Molded acrylic with gasket

MOVEMENT: Geared ARC-LOC with parts of phosphor bronze and stainless steel to minimize friction and wear

DIAL: White coated aluminum with black markings and mirrored edge

POINTER: Knife-edged, black, adjustable

CASE: SOLFRUNT, cast aluminum, black finish with BUNA-N pressure relieving back; *1403:* Front flanged for panel mounting; *1404:* Flangeless for stem mounting

RING: *1403:* Steel hinged, black finish; *1404:* Aluminum, threaded, black finish

CONNECTION: 1/2-14 ANPT standard (1/4-18 ANPT optional), brass

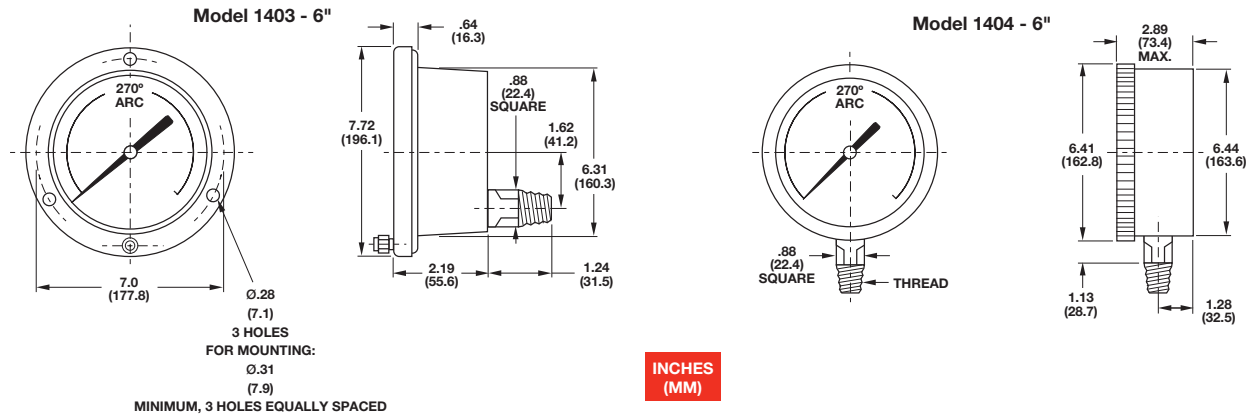
Standard Ranges

Maximum Indication	Figure Intervals	Smallest Intervals
30" Hg VAC	2" Hg VAC	0.1" Hg VAC
15 psi	1	0.05
30 psi	2	0.1
60 psi	5	0.2



TEST GAUGES

SOLFRUNT® 6" Models 1403 and 1404 Test Gauges



Spec Number Selection Chart		
Test Gauges	Model No. 1403 1/2-14 ANPT, Lower-Back Mount*	Model No. 1404 1/2-14 ANPT, Lower Mount*
Bourdon Tube	Phosphor Bronze (30" Hg VAC through 60 psi)	Phosphor Bronze (30" Hg VAC through 60 psi)
Connection	Brass	Brass
Sizes	6"	6"
Ranges	Spec No.	Spec No.
0-30" Hg	132592	132577
0-15 psi	132593	132578
0-30 psi	132594	132579
0-60 psi	132595	132580

* 1/4-18 ANPT available – use 133XXX when ordering