

# Precision | Durability | Versatility

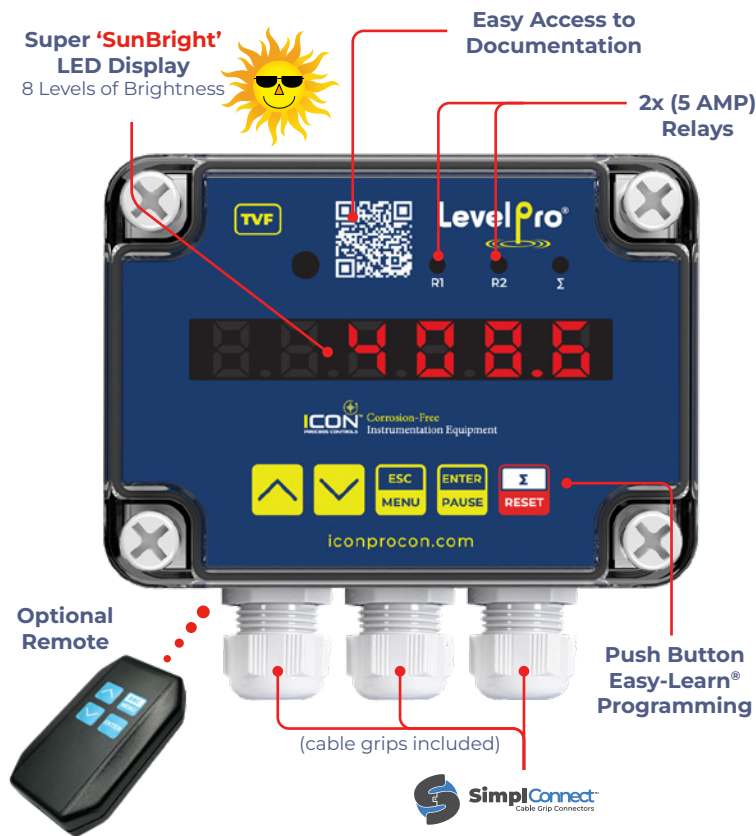
Measure with Confidence



# LevelPro® — TVF Series

## Flow Display | Controller | Batcher

- ✓ All-in-one | Out of the Box Ready to Use
- ✓ NEMA 4X Enclosure
- ✓ New Easy-Learn® Programming



### Features

- ✓ All in one: Flow Display | Batcher | Totalizer
- ✓ 4-20mA Output + Relay Output
- ✓ 2 Relay Outputs
- ✓ RS-485 (Modbus RTU) Communication
- ✓ SunBright Technology for Outdoor Applications
- ✓ 3 Wire Cord Grips Included | No Add Ons
- ✓ 8 Levels of Brightness
- ✓ 6 Digit Totalizer
- ✓ Completely Thermoplastic | Corrosion-Free
- ✓ Power Supply Output 24V DC

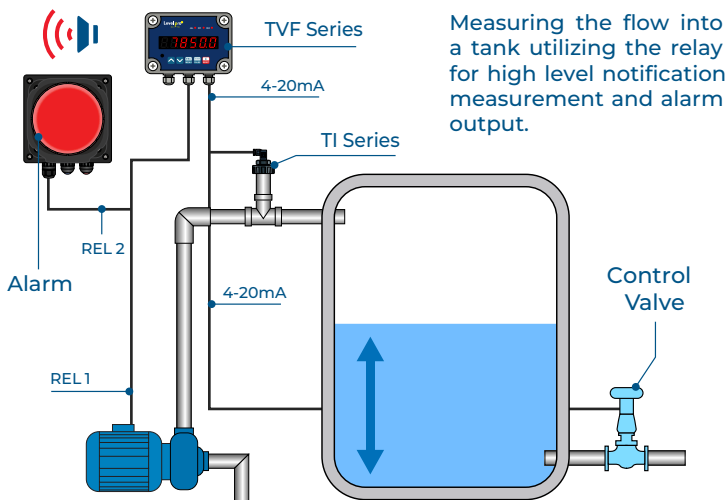


### All-in-one Display & Controller

The TVF Series Flow Display & Batcher is the industry's most rugged and reliable wall-mount remote display. The TVF Series will display both Flow Rate and Flow Total up to 16 digits. LevelPro® TVF Series comes as a complete all-in-one unit, out of the box it is ready to use. Included is a bright LED Display, NEMA 4X Enclosure, Polycarbonate Faceplate, Cord Grips and Plastic Captive Screws.

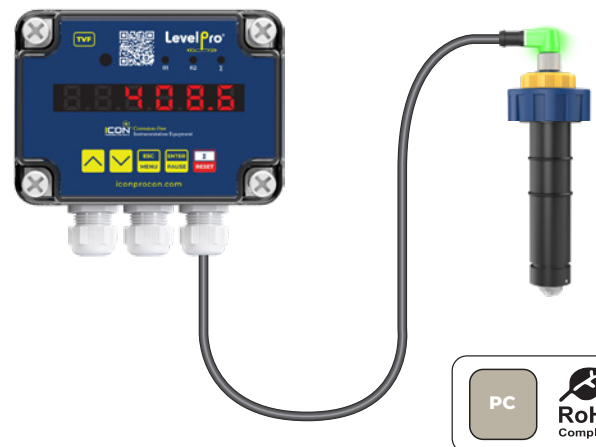
The industrial design of the TVF Series ensures that it will withstand the industry's most corrosive environments. Available with either 2 Relay Outputs or 1 Relay + 4-20mA Output, the TVF Series is great for automating your batching or dosing applications.

### Typical Application



### Pairs with TI Series Flow Meters

- ✓ Lifetime Warranty on Paddle Wheel Assembly
- ✓ Industry's Highest Accuracy: ±0.5%
- ✓ New ShearPro® Designed Paddle
- ✓ Zirconium Ceramic Rotor Pin | Bushings

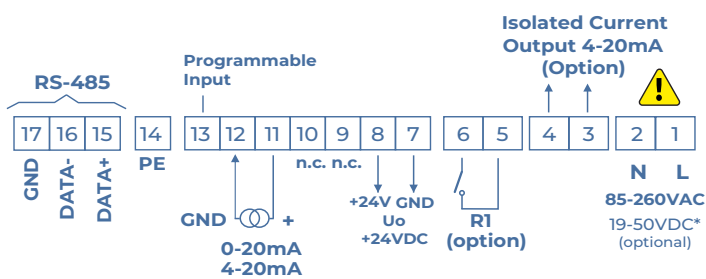


### Specifications

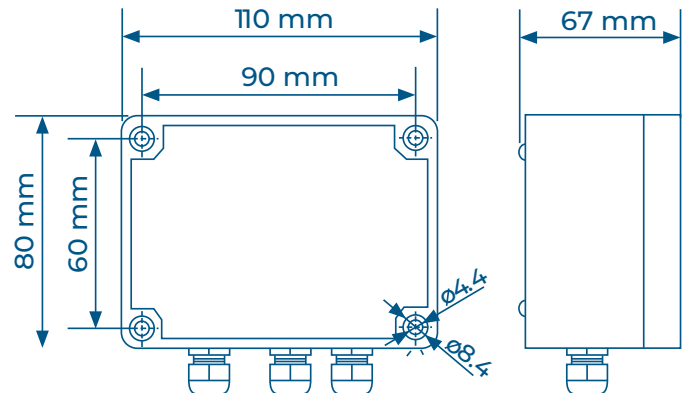
General	
Display	LED   6 x 13mm High   Red   Adjustable Brightness
Displayed Values	-99999 ± 999999
Transmission Parameters	1200...115200 bit/s, 8N1 / 8N2
Stability	50 ppm   °C
Housing Material	Polycarbonate
Protection Class	NEMA 4X   IP67
Communication	RS-485 (Modbus RTU)
Input Signal   Supply	
Standard	Current: 4-20mA   0-20mA   0-5V*   0-10V*
Voltage	85 - 260V AC/DC   16 - 35V AC, 19 - 50V DC*
Output Signal   Supply	
Standard	2 x Relays (5A)   1 x Relay (5A) + 4-20mA
Voltage	24VDC
Passive current output *	4-20mA   (Operating Range Max. 2.8 - 24mA)
Performance	
Accuracy	0.1% @ 25°C One Digit
Temperatures	
Operating Temperatures	-40 - 158°F   -40 - 70°C

\*Optional

### Pin Assignment



### Dimensions



### Model Selection

TVF — Display + Totalizer + Batcher		
Part Number	Input	Output
<b>TVF-500-1121</b>	4-20 mA	2 Relay
<b>TVF-500-1129</b>	4-20 mA	4-20mA + 1 Relay
<b>TVF-500P-1421</b>	Pulse Input	2 Relay
<b>TVF-500P-1429</b>	Pulse Input	4-20mA + 1 Relay