

**It's big. It's bold. It's built to last.**



# It's kind of a big deal



Optional Remote  
(Sold Separately)



- ✓ Programmable LED Colors with SunBright® Technology for Outdoor Applications
- ✓ Universal Inputs — Level | Flow | Pressure | Temperature
- ✓ 8 Levels of Brightness | Extra Large LED Numbers
- ✓ Signal Peak Value Detection | Dampens Noise
- ✓ 6 SimpliConnect® Cord Grips Included | No Add Ons
- ✓ Relay Lights & Audible Alarm Function
- ✓ Completely Thermoplastic | Corrosion-Free
- ✓ NEMA 4X Enclosure



**The TVU Series Process Display isn't just rugged and reliable — it's a giant in the world of (multi)color displays.**

### TVU Series — Universal Process Display

The TVU Series Multi-Color LED Level Process Display and Controller is among the industry's most rugged and reliable wall-mount remote level displays.

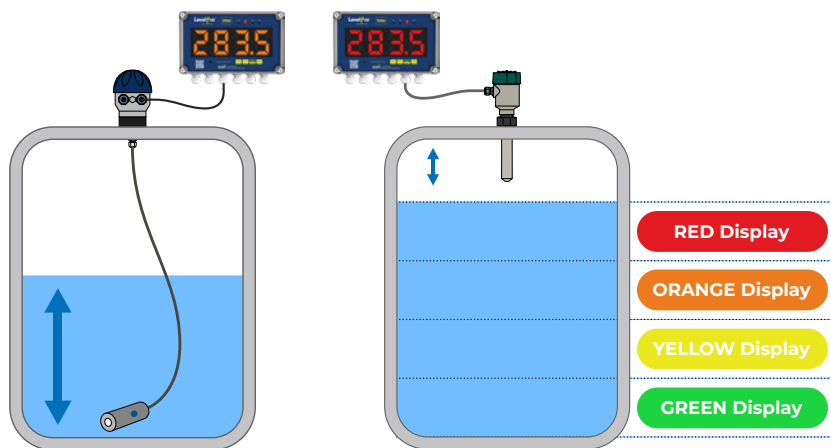
LevelPro® TVU Series comes as a complete all-in-one unit that's ready to use right out of the box. Included is a vivid SunBright® LED Display with adjustable color and brightness, NEMA 4X enclosure, polycarbonate faceplate, a full set of SimpliConnect® cord grips and corrosion-free plastic captive screws.

The industrial design of the TVU Series ensures that it will withstand the industry's most corrosive environments while remaining highly visible and easy to read.

Available with either 4 relay outputs or 2 relay + 4-20mA output, the TVU Series is great for automating your tank level processes.

### Multi-color Display

- ✓ Acts as a Stack Light
- ✓ Colors Mimic Process Conditions
- ✓ Industry's Largest Multi-Color LED Display

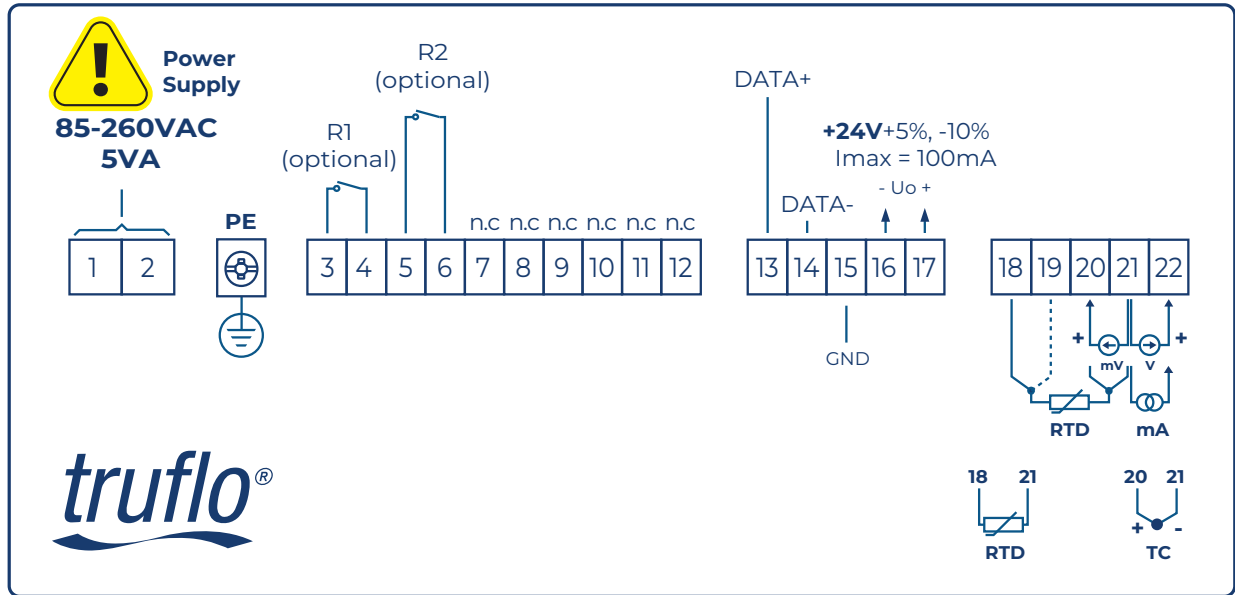


### Specifications

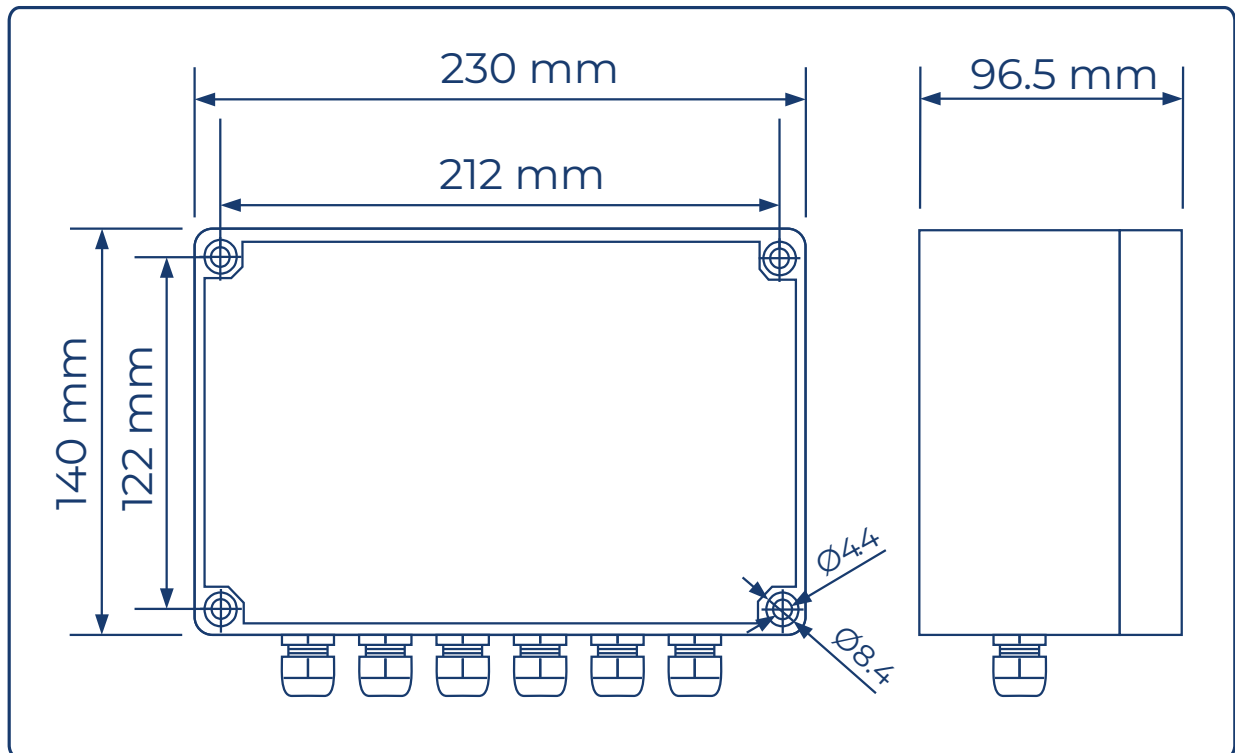
General	
Display	LED   4 x 57mm High   Adjustable Color   Adjustable Brightness
Displayed Values	-999 ± 9999
Stability	50 ppm   °C
Transmission Parameters	1200...115200 bit/s, 8N1 / 8N2
Protection Class	NEMA 4X   IP67
Input Signal   Supply	
Standard	4-20mA   0-10V   0-150mV RTD
Voltage	85 - 260V AC/DC   16 - 35V AC, 19 - 50VDC*
Output Signal   Supply	
Standard	4 x Relays (5A)   2 x Relay (5A) + 4-20mA
Voltage	24VDC
Passive current output *	4-20mA   (Operating Range Max. 2.8 - 24mA)
Performance	
Accuracy	0.1% @ 25°C One Digit
Temperatures	
Operating Temperatures	-40 - 158°F   -40 - 70°C
Materials   Wetted	
Housing	Polycarbonate

\* optional

### Wiring — Pin Assignment



### Dimensions



### Model Selection

TVU — Universal Multi-Color LED Display		
Part Number	Input	Output
TVU-1421	4-20mA	4 Relay
TVU-1429	4-20mA	4-20mA + 2 Relay