



ULTRA HIGH PURITY PRESSURE MEASUREMENT PRODUCTS

Model 1536 UHP 2-inch Stainless Steel Pressure Gauges for Semiconductor

DESCRIPTION

U.S. Gauge Model 1536 Ultra High Purity pressure gauges are designed and manufactured for gas distribution equipment used in semiconductor manufacturing. These 2 inch, all stainless steel gauges are clean room produced, nitrogen purged, and double bagged.

These instruments are compatible with many toxic and corrosive gases. Welded VCR face seal connections provide a threadless pressure seal and virtually eliminate a major source of contamination. Also available in NPT connections.

The Model 1536 is available in pressure ranges from 0 to 30 inches Hg VAC, to 0 to 4000 psi. This precision gauge incorporates rugged case construction with pressure relief.

FEATURES

- Cleaning for UHP gas applications exceeding ANSI B40.100 specifications
- Ra: 10 µinch (0.25 µm) finish on face seal connections
- Helium leak tested to confirm leakage rates of less than 10⁻⁹ scc/sec.
- All stainless steel (Type 316L) internal surfaces for corrosion resistance
- Large, easy-to-read dial graduations
- Handles wide variety of exotic gases
- Available with welded face seal fittings, or NPT connection
- Assembled and packaged in Class 10 clean room
- Low mount or center back connections

SPECIFICATIONS

- Size:** 2 inch diameter
- Case:** Drawn stainless steel polished with pressure relief
- Ring and Window:** One piece, threaded polycarbonate
- Pointer:** Aluminum, black finish
- Dial:** Aluminum, white background with black markings
- Bourdon Tube:** Type 316L stainless steel
- Connection:** Type 316L stainless steel, low mount or center back mount, male or female face seal fitting, or 1/4 inch male NPT – connectors are shipped with protective plastic caps
- Surface Finish:**
VCR face seal connections: Ra: 10 µinch (0.25 µm)
1/4 inch NPT connections: 32 Ra
- Ranges:** 30 inches Hg vacuum to 4000 psi, single or dual scale, see ordering information
- Overpressure:** 130% of span maximum
- Working Temperature:**
Ambient: -40°F (-40°C) to 149°F (65°C)
Fluid: Maximum 212°F (100°C)
- Accuracy:**
±1% of span
- Scales:** psi, bar, kg/cm², KPa, MPa (single or dual scale) inches Hg (for vacuum range, compound and vacuum gauges only)

**Model 1536
UHP Semiconductor Gauge**

available with
center back mount and
low mount connections



**Close-up of
VCR connection**



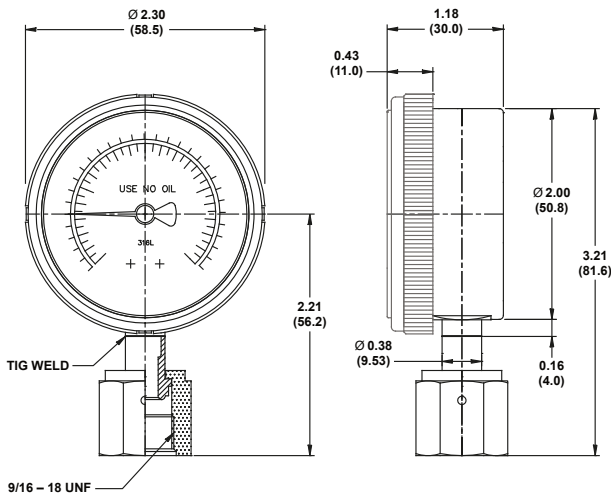


ULTRA HIGH PURITY PRESSURE MEASUREMENT PRODUCTS

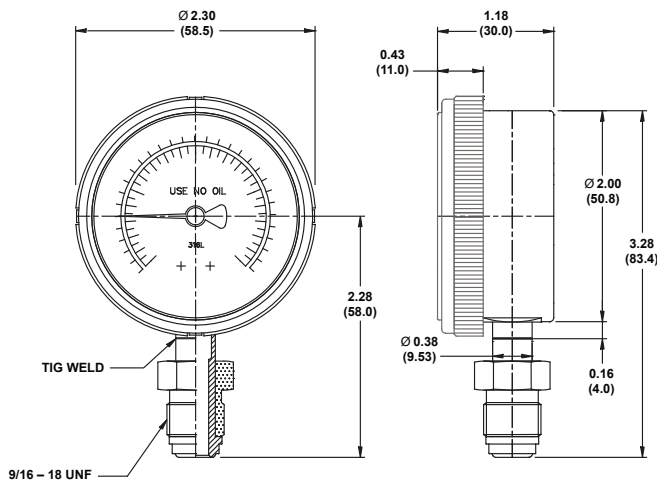
Model 1536 UHP 2-inch Stainless Steel Pressure Gauges for Semiconductor

LOW MOUNT

Swivel Female Face Seal

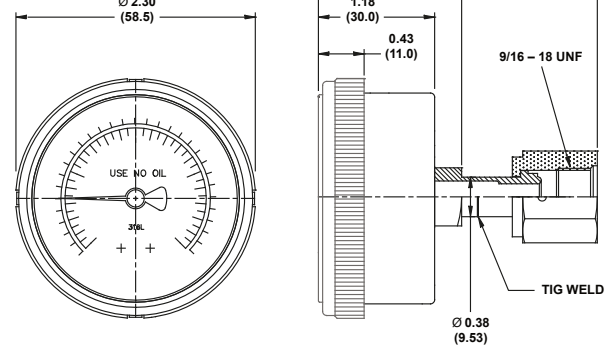


1/4 Face Seal

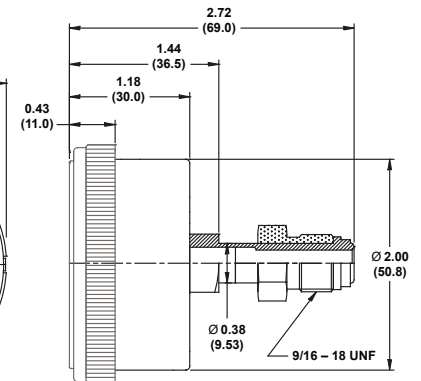


CENTER BACK MOUNT

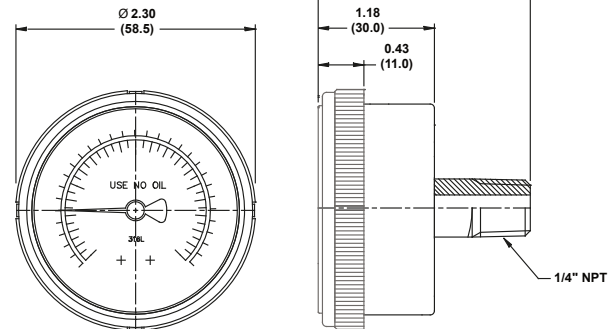
Swivel Female Face Seal



1/4 Face Seal



1/4 NPT



INCHES
(MM)



ULTRA HIGH PURITY PRESSURE MEASUREMENT PRODUCTS

Model 1536 UHP 2-inch Stainless Steel Pressure Gauges for Semiconductor

Model Numbering:				
● 1536 2-inch stainless steel pressure gauges				
1536	2-inch stainless steel pressure gauges for semiconductor			
● Pressure ranges				
	0015	0 to 15 psi	2000	0 to 2000 psi
	0030	0 to 30 psi	3000	0 to 3000 psi
	0060	0 to 60 psi	4000	0 to 4000 psi
	0100	0 to 100 psi	VAC	0 to 30 inches Hg vacuum
	0150	0 to 150 psi	V-0-15	Compound (vac to 15 psi)
	0160	0 to 160 psi	V-0-30	Compound (vac to 30 psi)
	0200	0 to 200 psi	V-0-60	Compound (vac to 60 psi)
	0300	0 to 300 psi	V-0-100	Compound (vac to 100 psi)
	0400	0 to 400 psi	V-0-150	Compound (vac to 150 psi)
	0600	0 to 600 psi	V-0-160	Compound (vac to 160 psi)
	1000	0 to 1000 psi	V-0-200	Compound (vac to 200 psi)
	1500	0 to 1500 psi	V-0-300	Compound (vac to 300 psi)
● Dial units				
	PSI	psi		
	IN.HG	inches Hg (compound and vacuum)		
	BAR	bar		
	KPA	kPa		
	PSI/BAR	psi and bar		
	PSI/KG	psi and kg/cm ²		
	PSI/KPA	psi and kPa		
	KG/MPA	kg/cm ² and MPa		
● Process connection location				
	LM	Low mount		
	CBM	Center back mount		
● Process connection type				
	NPT	1/4 NPT male fixed		
	MVCR	Male face seal swivel		
	FVCR	Female face seal swivel		
1536	0030	KPA	CBM	FVCR