



SPECIAL APPLICATION GAUGES

Series 1500 High Accuracy Corrosion Resistant Pressure Gauges

DESCRIPTION

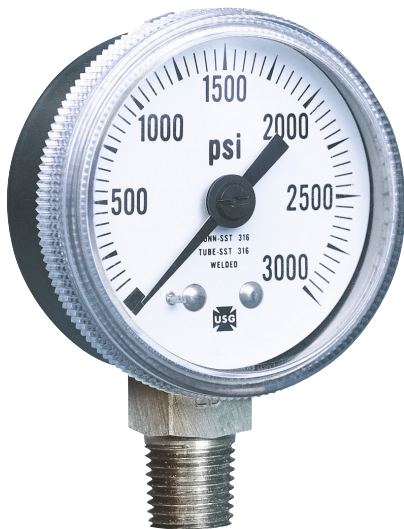
The Model 1535 features $\pm 1\%$ of span accuracy and utilizes 300 series stainless steel case. These heavy duty 2" and 2-1/2" pressure gauges are specifically designed to withstand the corrosive atmospheres, such as salt air, sour gas, and other industrial gases. These gauges are also used in specialty gauge regulators and gas cabinets, as well as many other applications. The Model 1535 features all internal wetted surfaces of 316L, making these gauges ideally suited for use with corrosive process media.

The Model P1535 is available in pressure ranges from 30" Hg VAC-0 psi through 0-3000 psi. This precision gauge incorporates rugged case construction with rear pressure relief, and a seamless Bourdon tube with welded joints for heavy duty service.

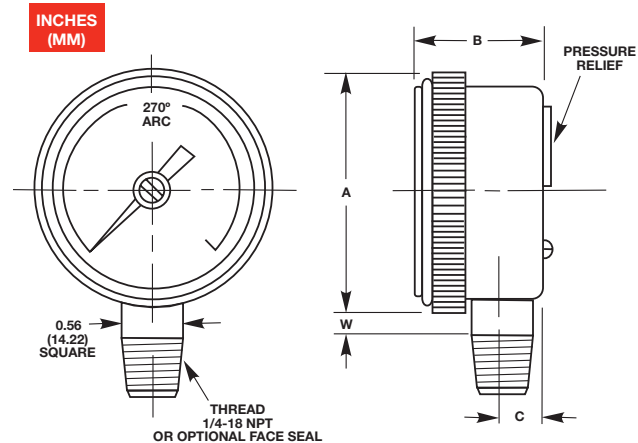
This gauge is also available in a version for the semiconductor industry. Please reference our web site at www.ametekusg.com.

SPECIFICATIONS

- SIZES:** 2" and 2-1/2"
- RANGES:** VAC-0-30 psi through 0-3000 psi
- SCALES:** psi, bar, kg/cm², kPa (single or dual scale)
- ACCURACY (Grade 1A):**
 $\pm 1\%$ of span for range to but not including 3000 psi
 $\pm 2\%$ of span for ranges 3000 psi and above
- BOURDON TUBE:** 316L seamless stainless steel
- WINDOW AND RING:** One piece, threaded polycarbonate
- DIAL:** Aluminum, white background with black markings; dual scale dials available in some pressure ranges
- POINTER:** Aluminum, adjustable, black finish
- CASE:** Drawn stainless steel polished with pressure relief in back of case
- CONNECTION:** 1/4-18 NPT 316L stainless steel



Model 1535



Dimensions

Model	Dial Size	Unit	A	B	C	W
P1535	2" 50	inches mm	2.28 57.9	1.18 30	0.41 10.4	0.24 6.1
P1535	2-1/2" 63	inches mm	2.83 71.9	1.22 31	0.41 10.4	0.23 5.8



SPECIAL APPLICATION GAUGES

Series 1500 High Accuracy Corrosion Resistant Pressure Gauges

Spec Number Selection Chart

Series 1500		
Specifications	Model P1535 1/4-18 NPT Lower Mount	Model P1535 1/4-18 NPT Lower Mount
Bourdon Tube	316L Stainless Steel	
Connection	316L Stainless Steel	
Sizes	2"	2-1/2"
Ranges	Spec No.	Spec No.
30"-0-30 psi	148953	-
30"-0-60 psi	149641	-
30"-0-150 psi	149642	-
0-15 psi	148954*	110792*
0-30 psi	148955	110793
0-60 psi	148956	110794
0-100 psi	148957	110690
0-160 psi	148958	110795
0-200 psi	148959	110796
0-300 psi	148960	110797
0-400 psi	148961	110798
0-600 psi	148962	110799
0-1000 psi	148963	110800
0-1500 psi	148964	110801
0-2000 psi	148965	110802
0-3000 psi	148966	148182

* Dial graduated on 180° arc